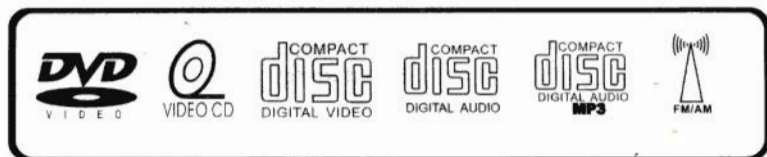
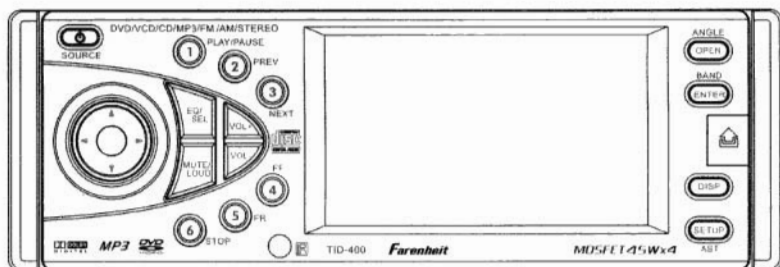


OWNER'S MANUAL

Mobile Video System

VIR 8000



SAFETY INFORMATION

Please read the manual carefully before operating this unit and keep it for future reference.

CAUTION: This unit is a class 1 laser product. To prevent direct exposure to laser system, do not open the unit. The laser beam may hurt your eyes. If the unit requires adjustments, contact an authorized service center.

USE THIS PRODUCT SAFELY

Be sure you fully understand the following safety information:

When driving

Keep the unit at an appropriate sound level. Driving with the sound at a level that prevents you from hearing sounds outside and around the car may cause an accident.

When cleaning your interior

Do not expose the product to water or excessive moisture. This could cause short circuit, fire or other severe damage.

When parked

Parking in direct sunlight can produce very high temperature levels inside your car. Give the interior and unit a chance to cool down before switching the unit on.

NOTE: Do not use and store the player in dusty, high temperature or high humidity environments.

REPLACE THE FUSE

▲ Warning

Never replace any fuse with one of a greater value than the fuse supplied with your unit. Using a higher current rated fuse may cause damage to your unit and/or electrical wiring.

FEATURES

3.8" Wide-Screen Display
High Brightness: 250 cd/m²
Picture Adjustable (Color, Contrast, Brightness, Tint)
Ignition-Linked Monitor Extension/Retraction
Fully Motorized Viewing Angle Adjustment
Last Angle Memory

DVD/VCD/CD/CD-R/CD-RW/MP3 Compatible
Mechanical Anti-Shock & Digital Anti-Shock
Built-in Dolby Digital Decoder
Built-in FM/AM Receiver
DVD Last Position Memory
NTSC/PAL Selectable

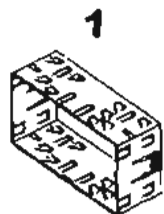
Full-Function Infrared Remote Control
Bass / Treb / Fad / Bal Control
Telephone Mute Control
Auto Antenna Control
Amplifier Control
Rear Camera Video Input
Detachable Face Security

Max Output Power: 45 W X 4
4 RCA Audio Outputs
1 RCA Video Output
1 RCA A/V Input
1 Rear View Input

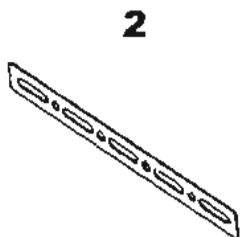
NOTE:

*This user's manual is only for reference.
Modifying rights are reserved.
Modifications are subject to change without notice.*

ACCESSORIES



Mounting Sleeve x1



Backstrap x1



M5x5 Screws x4



Keys x 2



Main Wire Harness x1



Faceplate Case x1



Remote Control x 1



Operational Manual x 1



Product Warranty Registration Card



Trim Bezel x1

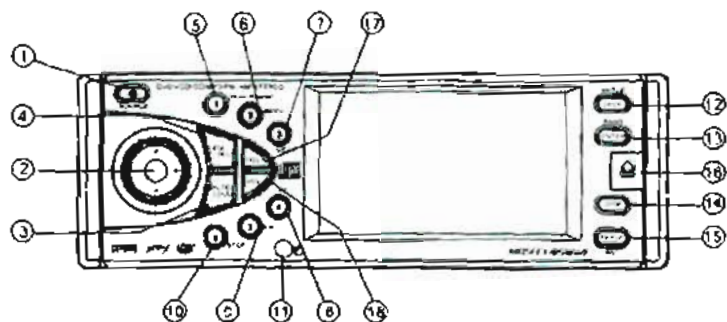


Rear Mounting Roll x1

TABLE OF CONTENTS

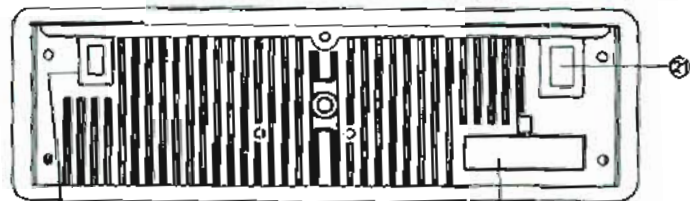
Safety Information	1
Features	2
Accessories	3
Table of Contents	4
Front Panel Description	5
Remote Control Description	6
Unit Installation	8
Unit Removal	11
Wire Connection	12
Disc Notes	13
Disc Operation	14
Basic Operations	15
DVD/VCD/CD/MP3 Operations	17
Radio Operations	19
Setup of Player Function	20
Specifications	25
Requirements	26

FRONT PANEL DESCRIPTION



- | | | |
|--------------|--------------|--------------|
| ① SRC/PWR | ⑦ NEXT | ⑬ BAND/ENTER |
| ② DIRECTION | ⑧ F.FWD | ⑭ DISP |
| ③ MUTE /LOUD | ⑨ F.REW | ⑮ SETUP/AST |
| ④ EQ/SEL | ⑩ STOP | ⑯ REL |
| ⑤ PLAY/PAUSE | ⑪ REMOTE | ⑰ VOL.+ |
| ⑥ PREVIOUS | ⑫ ANGLE/OPEN | ⑱ VOL.- |

REAR PANEL DESCRIPTION



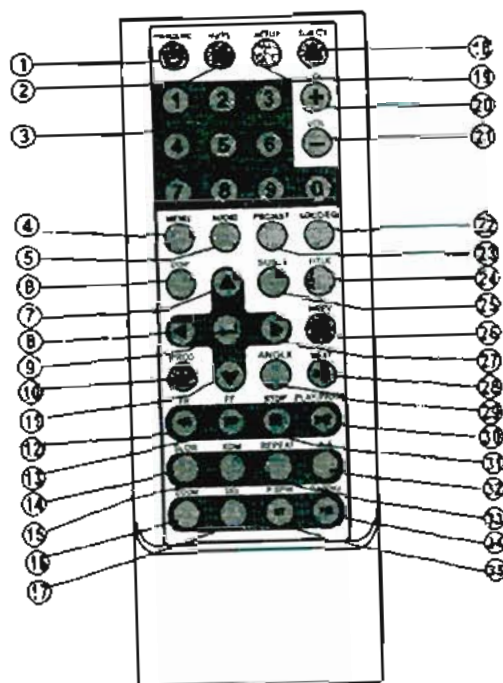
- | | |
|------------------------------|----------------|
| ⑲ RADIO ANTENNA INPUT | ⑳ 16PIN SOCKET |
| ㉑ VIDEO AUDIO OUTPUT & INPUT | |

BASE PANEL DESCRIPTION



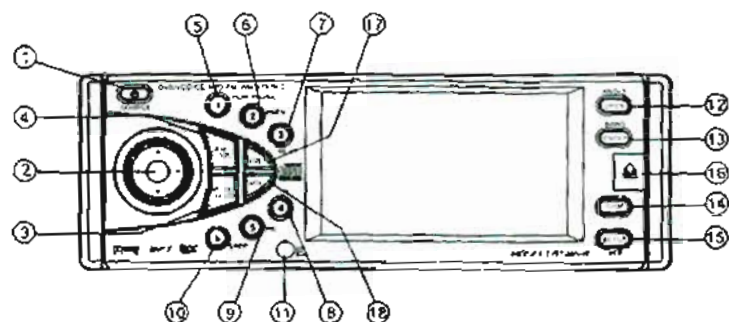
- ㉒ RESET

REMOTE CONTROL DESCRIPTION



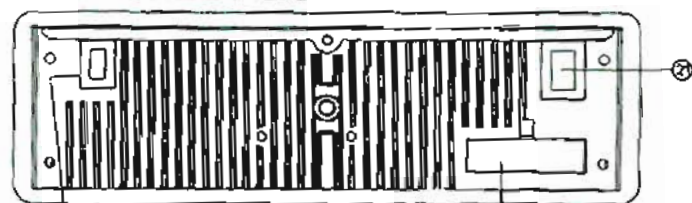
- | | | |
|-------------------|-----------|------------------|
| ① POWER/SOURCE | ⑬ FF | ㉘ SUBTITLE |
| ② MUTE | ⑭ SLOW | ㉙ PREVIOUS |
| ③ NUMBER BUTTONS | ⑮ RANDOM | ㉚ RIGHT(Seek up) |
| ④ MENU | ⑯ ZOOM | ㉛ NEXT |
| ⑤ AUDIO | ⑰ SELECT | ㉜ ANGLE |
| ⑥ DISPLAY | ⑱ EJECT | ㉝ PLAY/PAUSE |
| ⑦ UP(Tune up) | ⑲ SETUP | ㉞ STOP |
| ⑧ LEFT(Seek Down) | ㉑ VOLUME+ | ㉟ A-B |
| ⑨ BAND/ENTER | ㉒ VOLUME- | ㊱ REPEAT |
| ⑩ PROGRAM | ㉓ LOUD/EQ | ㊲ P.MENU |
| ⑪ DOWN(Tune Down) | ㉔ PBC/AST | ㊳ P.SPW |
| ⑫ FR | ㉕ TITLE | |

FRONT PANEL DESCRIPTION



- | | | |
|--------------|--------------|--------------|
| ① SRC/PWR | ⑦ NEXT | ⑬ BAND/ENTER |
| ② DIRECTION | ⑧ F.FWD | ⑭ DISP |
| ③ MUTE/LOUD | ⑨ F REW | ⑮ SETUP/AST |
| ④ EQ/SEL | ⑫ STOP | ⑯ REL |
| ⑤ PLAY/PAUSE | ⑰ REMOTE | ⑱ VOL+ |
| ⑥ PREVIOUS | ⑲ ANGLE/OPEN | ⑳ VOL- |

REAR PANEL DESCRIPTION



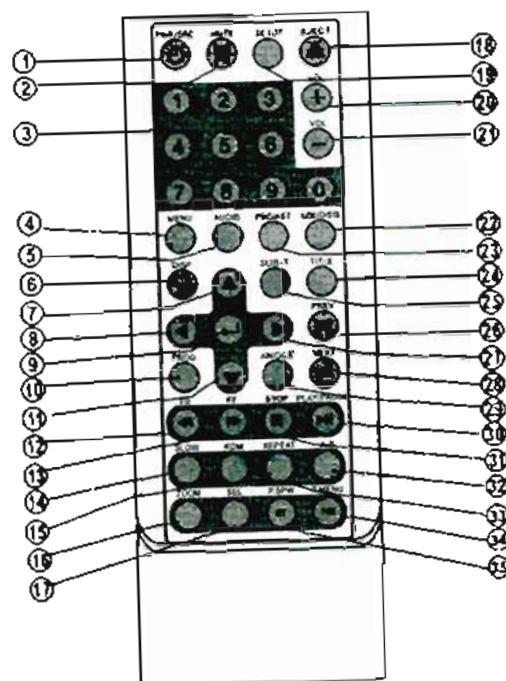
- | | |
|------------------------------|----------------|
| ⑳ RADIO ANTENNA INPUT | ㉑ 16PIN SOCKET |
| ㉒ VIDEO AUDIO OUTPUT & INPUT | |

BASE PANEL DESCRIPTION



- ㉔ RESET

REMOTE CONTROL DESCRIPTION

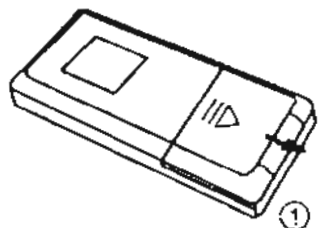


- | | | |
|-------------------|-----------|------------------|
| ① POWER/SOURCE | ⑬ FF | ㉚ SUBTITLE |
| ② MUTE | ⑭ SLOW | ㉛ PREVIOUS |
| ③ NUMBER BUTTONS | ⑮ RANDOM | ㉜ RIGHT(Seek up) |
| ④ MENU | ⑯ ZOOM | ㉝ NEXT |
| ⑤ AUDIO | ⑰ SELECT | ㉞ ANGLE |
| ⑥ DISPLAY | ⑱ EJECT | ㉟ PLAY/PAUSE |
| ⑦ UP(Tune up) | ⑲ SETUP | ㊱ STOP |
| ⑧ LEFT(Seek Down) | ㉑ VOLUME+ | ㊲ A-B |
| ⑨ BAND/ENTER | ⑲ VOLUME- | ㊳ REPEAT |
| ⑩ PROGRAM | ㉒ LOUD/EQ | ㊴ P.MENU |
| ⑪ DOWN(Tune Down) | ㉓ PBC/AST | ㊵ P.SPW |
| ⑫ FR | ㉔ TITLE | |

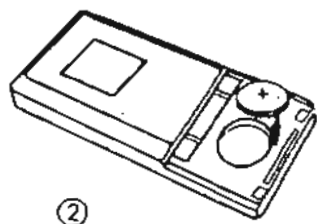
Replacing the batteries

If the remote control has no function or if the operating range reduces, replace the old battery with new one.

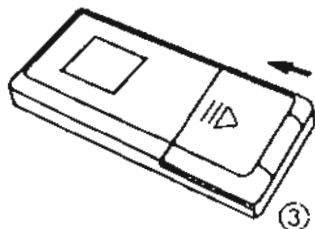
1. Pull out the battery holder. Follow the arrow (1) slide the tab to the right while pulling the holder away at the same time.



2. Place the new battery in the tray and slide back into the remote.



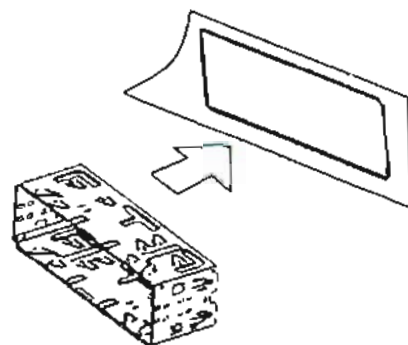
3. Make sure the holder locks into place.



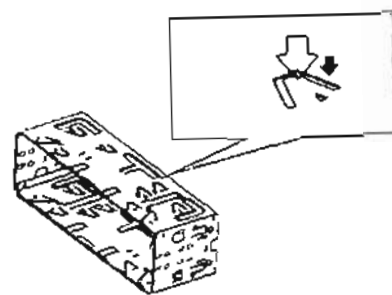
UNIT INSTALLATION

Installation Method 1: Din Front-Mount

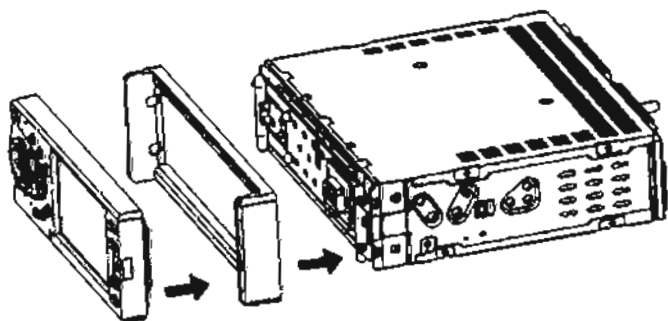
Install the Mounting sleeve into the dashboard.



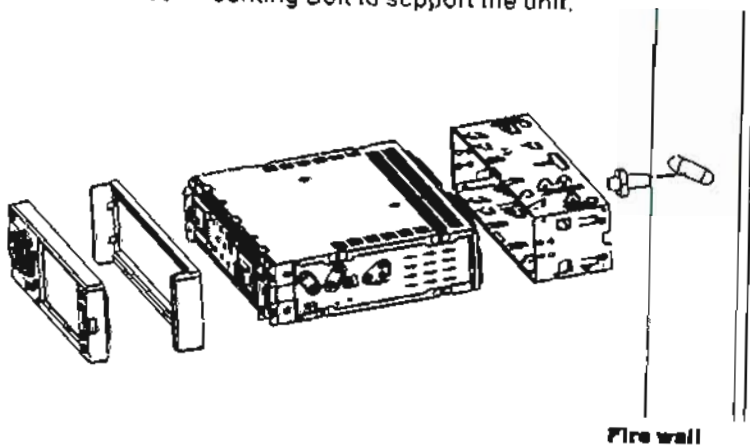
Bend as many claws outward for tight fit, to lock the sleeve into place.



Install the trim bezel to the unit. (Arched surface toward the bottom).



Use the Rear Mounting Bolt to support the unit.



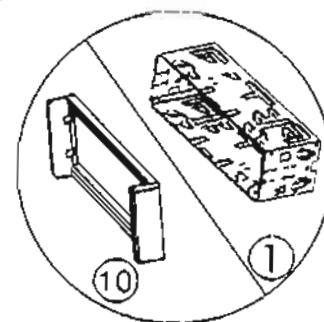
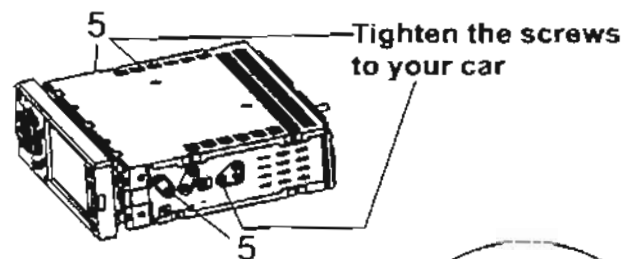
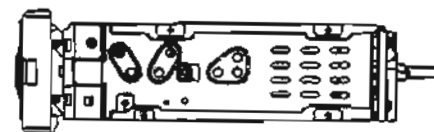
Installation Method 2:

Using the screw holes at the sides of the unit. (ISO Mount).

1. Remove the hooks on both sides.
2. Select a position where the screw holes of the mounting bracket supplied with the car and the screw holes of the main unit become aligned, tighten the screws on each side, and re-mount the brackets with the factory hardware in the original location.

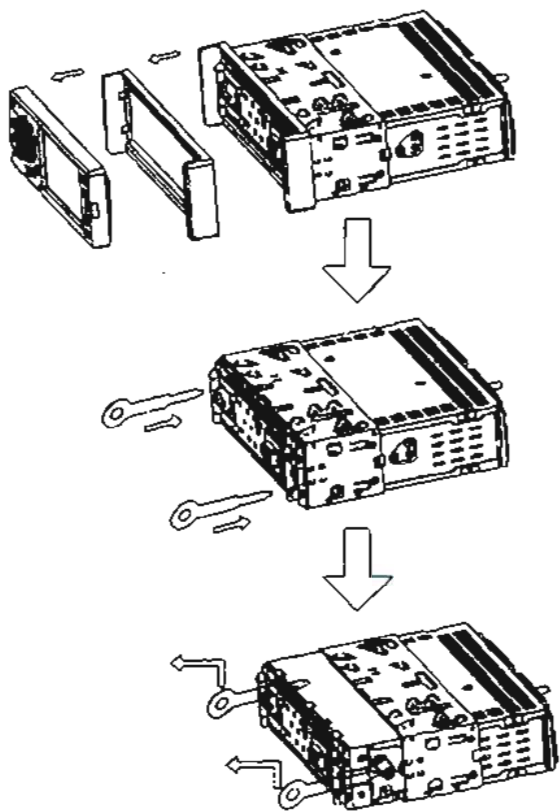
■ **NOTE:**

① ⑩ are not used for installation method 2.

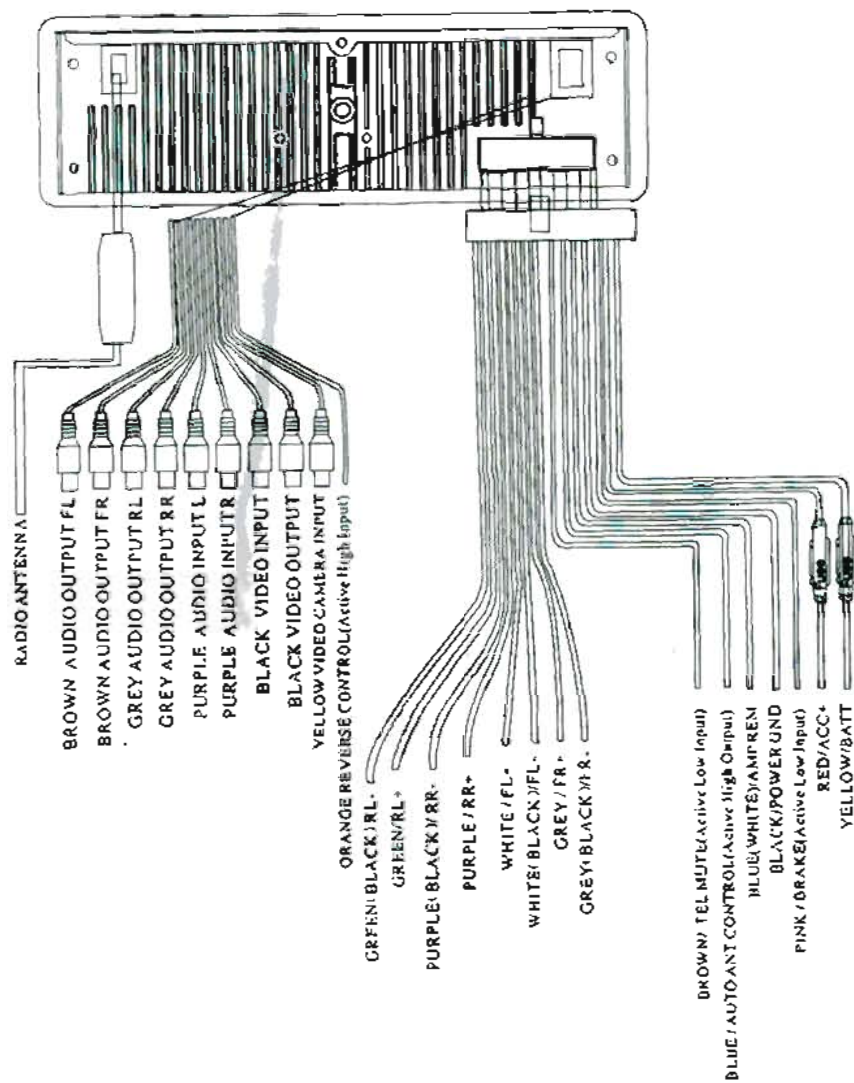


UNIT REMOVAL (when installed using the sleeve)

1. Detach the front panel.
2. Insert the keys supplied with the unit on both sides (as illustrated) as this will release the internal locks so you can slide the unit out.



WIRE CONNECTION



DISC NOTES

■ Disc formats supported by this player



Handling and Cleaning

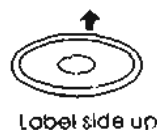
- Dirty, dusty, scratched or warped discs may not play properly.
- Do not place stickers or make scratches on discs
- Do not warp discs.
- Store discs in their cases when not in use.
- Do not place discs in the following places:
 1. Direct sunlight.
 2. Dirty, dusty and damp areas.
 3. High temperature places.
 4. On the seats or dashboard.

Disc Cleaning

Use a dry soft cloth to wipe the surface. If the disc is quite dirty, use a soft cloth slightly moist with isopropyl (rubbing) alcohol. Never use solvent such as benzene, thinner or conventional record cleaners which may mar the surface of the disc.

Note: A disc may become somewhat scratched to a point which will skip excessively or not play at all in your player. Have the disc resurfaced or polished to reduce the issue or replace the disc with a new one.

DISC OPERATION



Repairing New Discs with Rough Spots

A new disc may have rough edges on its inside and outside edges. If a disc with rough edges is used, the proper setting will not be performed and the player will not play the disc. Therefore, remove the rough edges in advance by using a ballpoint pen or pencil. To remove the rough edges, press the side of the pen or pencil against the inside and outside edges of the disc.

BASIC OPERATIONS

Power:

Press the POWER button to turn the unit ON or press the same button to turn the unit OFF.

Switching sources:

When the unit is turned ON, Pressing the POWER button will toggle between modes.

Mute :

Press the MUTE/LOUD button to attenuate the audio, Press it again or any volume key and resume to the previous level.

Loud:

Press and hold the MUTE/LOUD button to activate loudness feature.

Volume Control:

Press VOL+ button to increase the sound level and VOL- to decrease the sound level.

EQ:

▶ FADER	00
BALANCE	00
BASS	00
TREBLE	00
LOUDNESS	OFF
EQ	USER

Press EQ/SEL button to enter the sound setup page:

▶ NTSC/PAL	NTSC
COLOR	15
BRIGHT	5
CONTRAST	15
TINT	15
RESET	

In DVD or any AV mode, Press the EQ/SEL button twice to enter the monitor color setup dialog.

Note: Select "RESET" item, press "LEFT/RIGHT" direction button to restore the default device.

▶ LOCAL STEREO AREA	OFF ON USA
---------------------	------------

In the RADIO mode, press the EQ/SEL button to enter the tuners' setup dialog. This tuner can be switched to work in other countries, choose the one that works best for you.

NOTE: Area can be choosed as follows:

USA-JAPAN-OIRT-EUROPE-ASIA

SEL:

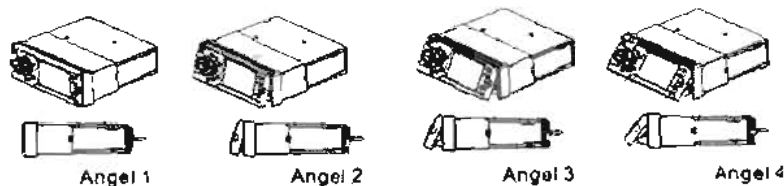
Press and hold the EQ/SEL button to access the preset EQ settings or the user settings to adjust the audio to your preference.

If the unit ever needs to be reset, you can do so by removing the face plate to gain access to the reset button. Press and hold this button to switch back to all the original factory settings. Keep in mind this will erase all of you preset radio stations and any EQ settings you may have made and saved.

Viewing Angel Adjustment:

Press and hold the OPEN button to adjust the angel of the face to your preference.

Angel 1- Angel 2- Angel 3- Angel 4- Angel 1



NOTE: You can also make these same adjustment from your remote control, simply press and hold the EJECT button to adjust to your preference.

Restore Default Angel Device

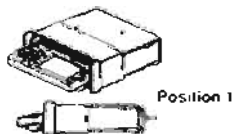
Start by powering OFF your unit, then press preset buttons 1-6 and power the unit back ON. The monitor should display "OTOR ALGN OK". Press the OPEN button and insert a CD. The motor and gear drives are now back to their factory positions.



DVD/VCD/CD/MP3 OPERATIONS

Playing disc

Press OPEN button, the front panel will slide down to Position 1; then insert a disc into the Disc Loading Slot; the panel will slide back automatically.



Ejecting a Disc

Press OPEN button, the front panel will slide down to Position 1; then eject a disc; the panel will slide back automatically or after one minute if no action is taken.

NOTE: The "EJECT" button on the remote control will perform the same functions.

Play/Pause

Press PLAY/PAUSE button to play or pause the disc.

Stop

During movie playback, press STOP button one time, the DVD player memorizes the location where you stopped (press PLAY button to resume playing from the memorized point); Press Stop (press PLAY button to start playing from the beginning of the disc). Twice to not memorize the last position.

F.FWD/F.REV

Press F.FWD/F.REV button to select fast/reverse forward search. Press F.FWD/F.REV on the remote control performs the same operation. Press PLAY/PAUSE button to resume to normal play.

Previous/Next

Press Previous/Next button to go to the PREVIOUS/NEXT chapter, track or song.

Setup

Press SETUP button to enter setup menu

Enter

In DVD mode, press ENTER button to confirm the Setup Menu.

Direction

UP/DOWN/LEFT/RIGHT (▲/▼/◀/▶); press the Direction buttons to move the cursor to the selected item.

Display

Press Display button to show current playback information on the screen.

Zoom

Press Zoom button during normal playback to zoom a picture. Press it repeatedly to change the magnification levels.

Repeat

Press the repeat button to repeat the same track, press it twice to repeat all tracks. When playing a DVD movie, pressing one will repeat the same chapter but pressing twice will repeat the entire title.

Angle

Press Angle button to select different viewing angles with interactive DVD media during playback.

PBC

PBC is available in VCD mode as playback control switch.

Menu

Menu is available in DVD mode as playback control panel.

Audio

When playing a DVD disc, press Audio button to select other available language.

Subtitle

For DVD disc, press Subtitle button to select available subtitle language.

Program

When playing VCD disc(PCB off) or CD disc, press Program button enter program status, press the number buttons to enter the track number you want to playback, If you want to exit, press the PROGRAM button again.

Slow

Press the SLOW button to activate slow motion playback(DVD mode only).

P/N

Press P/N button to select video output format(PAL/NTSC).

Number Buttons

Push Number Buttons to play your favorite track.

For example:

Track 8, press number button " 8 " ;

Track 68, press number button " 6 " " 8 " ;

Track 168, press number button " 1 " " 6 " " 8 " .

Random

Press RDM button to shuffle all tracks. Press it again to return to normal play back from the first track(CD mode only).

RADIO OPERATIONS

Band Selector:

In the RADIO mode, press BAND button to select bands in:

FM1 > FM2 > FM3 > AM1 > AM2 > Fm1

ST/MONO Selector:

In the RADIO mode, you can press ST button to select MONO mode or STEREO mode.

AST:

In the RADIO mode, press the AST button to scan each stored station. Press the corresponding preset or AST button when your desired station is playing.

Number Buttons:

Press and hold any preset 1-6 to stored your favorite radio stations, remember, you have 18 FM and 12 AM stations to store.

LOC:

In RADIO mode, press this button twice to enter the radio setup page; for " LOCAL " item, use LEFT/RIGHT (< / >) to switch LOC function on/off.

Direction:

In the RADIO mode:

press the button to adjust frequency forward or backward step by step. Press the LEFT or RIGHT direction buttons to scan to the next strongest station.

You can also use the UP or DOWN direction buttons to scan to the next strongest station.

SETUP OF PLAYER FUNCTION

Setup Menu Description

Press Setup button to enter Setup Menu.

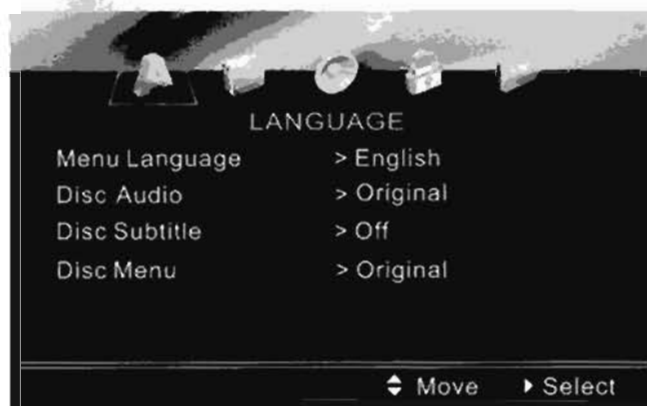
Use UP/DOWN and LEFT/RIGHT arrow buttons to select the items you want to change.

Press Enter buttons to make sure the item you have selected.

After finishing your settings, you can press Setup to exit and save these Modifications.

Note: This part takes effect only in DVD mode.

LANGUAGE SETUP



(LANGUAGE SETUP MENU)

LANGUAGE

Menu Language: This section is used to select your Language. Available languages:

- | | | | |
|-----------|--------------|-----------|------------|
| ■ English | ■ Deutsch | ■ Greek | ■ Pycckuu |
| ■ French | ■ Italian | ■ Swedish | ■ Chinese |
| ■ Espanol | ■ Polska | ■ Czech | ■ Korean |
| ■ Magyar | ■ Portuguese | ■ Dutch | ■ Japanese |

Disc Audio: This section is used to select Disc Audio Language. Available languages:

- | | | | |
|------------|--------------|-----------|-----------|
| ■ Original | ■ English | ■ Spanish | ■ German |
| ■ Italian | ■ Portuguese | ■ French | ■ Russian |
| ■ Chinese | ■ Other | | |

Disc Subtitle: This item is used to select Disc Subtitle On or Off.

Disc Menu: This section is used to select Disc Menu Language. Available languages:

- Original
- English
- Spanish
- German
- Italian
- Portuguese
- French
- Russian
- Chinese
- Other

DISPLAY SETUP



(DISPLAY SETUP MENU)

DISPLAY

TV Aspect: Allows you to select different aspect ratios, choose from the following

- 16 : 9
- 4 : 3

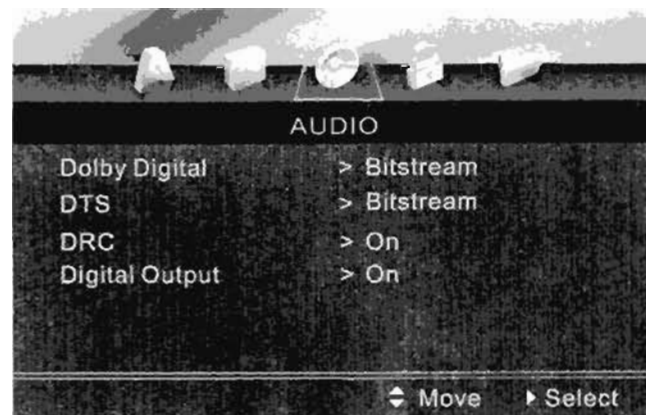
Display Mode : This section is used to select Display Mode:

- Widescreen (Full Mode).
- Letter box (pictures where black bands appear at the top and bottom).

TV Output: This section is used to select a TV Signal format to match your monitors' needs. Available formats:

- AUTO
- PAL
- NTSC

AUDIO SETUP



(AUDIO SETUP MENU)

AUDIO

When you begin to play a disc, the player will automatically select its default audio settings. Or you can select the settings as you like:

Dolby Digital: (Bitstream PCM).

DTS: (Bitstream PCM).

DRC: Select ON or OFF

Digital Output: Select ON or OFF.

Disc Subtitle: This item is used to select Disc Subtitle On or Off.

Disc Menu: This section is used to select Disc Menu Language. Available languages:

- Original
- English
- Spanish
- German
- Italian
- Portuguese
- French
- Russian
- Chinese
- Other

DISPLAY SETUP



(DISPLAY SETUP MENU)

DISPLAY

TV Aspect: Allows you to select different aspect ratios, choose from the following:

- 16 : 9
- 4 : 3

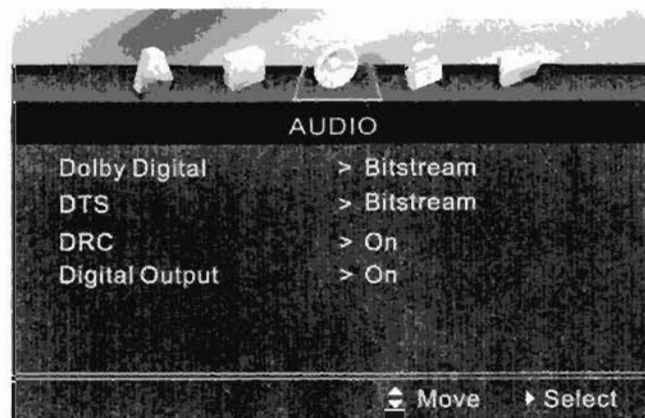
Display Mode : This section is used to select Display Mode:

- Widescreen (Full Mode).
- Letter box (pictures where black bands appear at the top and bottom).

TV Output: This section is used to select a TV Signal format to match your monitors' needs. Available formats:

- AUTO
- PAL
- NTSC

AUDIO SETUP



(AUDIO SETUP MENU)

AUDIO

When you begin to play a disc, the player will automatically select its default audio settings. Or you can select the settings as you like:

Dolby Digital: (Bitstream PCM).

DTS: (Bitstream PCM).

DRC: Select ON or OFF.

Digital Output: Select ON or OFF.

LOCK SETUP



(LOCK SETUP MENU)

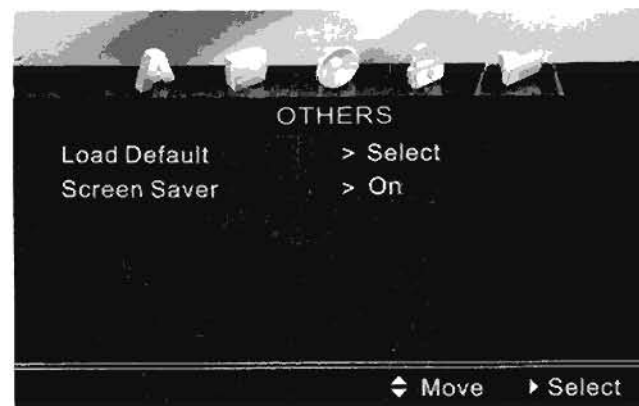
LOCK

When you begin to play a disc, the player will automatically select its default security settings. Or you can select the settings as you like:

Rating: you can select the maximum rating of the disc by entering the password (default password is: 0000).

Country Code: Select which ever works best for you.

OTHERS SETUP



(OTHERS SETUP MENU)

OTHERS

Load Default: you can restore all default settings by selecting this option.

Screen Saver: you can select whether you want the saver option ON or OFF.

NOTE: In the OFF position you will only see a blank background during audio playback in the CD and RADIO modes.

SPECIFICATIONS

GENERAL

Supply Voltage	: 14.4V DC (11-16V allowable)
Load Impedance	: 4 Ω Per channel
Max Power Output	: 45W x 4
Tone Controls	: \pm 7dB
Bass 100Hz	: \geq 10dB
Treble 10KHz	: \geq 10dB
Dimension (approx)	: 188x183x58mm (d/w/h)
Mounting (approx)	: 350x235x105 mm (d/w/h)
Weight (approx):	: 1.8 kg

FM TUNER SECTION

Frequency Range	: 87.5-108(MHz)(Europe/ASIA) 87.5-107.9(MHz)(USA)
IF	: 10.7MHz
Usable Sensitivity	: \leq 15dBuV
Stereo Separation	: \geq 26dB(1KHz)
Frequency Response	: 100-20000Hz

AM TUNER SECTION

Frequency Range	: AM :531-1602(KHz) (ASIA) MW:522-1620(KHz) (Europe) 530-1710(KHz) (USA)
IF	: 450KHz
Usable Sensitivity	: \leq 40dBuV

DVD PLAYER SECTION

Signal-to-noise Ratio	: \geq 85dB (1KHz)
Distortion	: \leq 0.5%

NOTE:

Specifications and design are subject to change without notice.

TROUBLE SHOOTING

SYMPTOM	CAUSE/SOLUTION
No sounds.	Cancel the mute function. Adjust the volume.
The memory contents are vanished.	Disconnect the power wire or battery. Press RESET button.
Do not play.	The disc is dirty or damaged.
The disc is out automatically.	The temperature is out of operating temperature.
The disc can not go out.	Push the disc when press EJECT button. A disc is loaded in the mechanism. Press RESET button.
Function button is unworkable.	Press RESET button.
There's audio skipping.	The disc is dirty or damaged.
No picture.	Open Monitor. Choose video input on the TV to receive The picture from the unit.
Picture stops (pauses).	The disc is dirty or damaged. Color system setup is incorrect Adjust to PAL or NTSC according to the TV.
Poor effect on receiving a station.	Antenna may not be the proper length. Be sure the antenna is fully extended and properly connected; if broken, replace the antenna with a new one; The antenna is poorly grounded, check and make sure the antenna is properly connected.

NOTE:

If any of problem persists after checked the above list. Please consult your nearest service dealer. Never attempt to disassemble the unit personally.