

TROUBLE SHOOTING

SYMPTOM	CAUSE / SOLUTION
No sound	Cancel the mute function. Adjust the volume.
The memory contents are lost	Disconnect the power wire or battery. Press the reset button.
The disc does not play	The disc might be dirty or damaged.
The disc comes out automatically	The temperature is outside the range of the operating temperature.
The disc can not be inserted	Push the disc while pressing the EJECT button. A disc is loaded in the mechanism. Press the RESET button.
The function buttons do not work	Press the RESET button.
Audio skipping	The disc might be dirty or damaged.
No picture	Open the monitor. Choose the video input on the TV to receive the picture from the unit.
Picture stops (pauses)	The disc might be dirty or damaged. The colour system setup is incorrect. Adjust to PAL or NTSC according to the TV.
Poor radio reception	Antenna may not have the proper length. Be sure the antenna is fully extended and properly connected. If broken replace the antenna with a new one. The antenna is poorly grounded. Check again the antenna connection.

NOTE:

If any problem persists after checking the above list, please consult your nearest service dealer.

Never attempt to disassemble the unit by yourself!

OWNER'S MANUAL

Mobile Video System

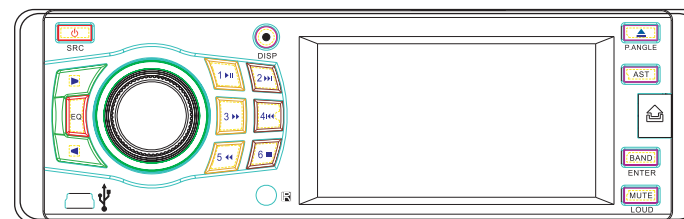


TABLE OF CONTENTS

Safety Information	2
Features	3
Accessories.....	4
Front Panel	5
Rear Panel	5
Base Panel	5
Remote Control	6
Installation	8
Unit Removal	11
Wire Connection	12
Disc Notes	13
Disc Operations	14
Basic Operations	15
Radio Operations	18
Clock Function	19
DVD Player Operations.	20
Card Operations.	21
IPOD Operations.....	22
AV IN Operations.....	22
Rear View Operations.....	22
DVD Setup Menu.....	23
Specifications	26
Trouble Shooting	27

SPECIFICATIONS

GENERAL

Supply Voltage	: 14.4V DC (11-16V allowed)
Load Impedance	: 4Ω per channel
Max Power Output	: 50W x 4
Bass 100Hz	: ≥ 10dB
Treble 10KHz	: ≥ 10dB
Dimensions (approx.)	: 188x183x58mm (d/w/h)
Mounting (approx.)	: 350x235x105mm (d/w/h)
Weight (approx.)	: 1.8Kg

FM TUNER

Frequency Range	: 87.5 – 108 MHz (Europe/Asia) 87.5 – 107.9 MHz (USA)
IF	: 10.7 MHz
Usable Sensitivity	: ≤ 15dBuV
Stereo Separation	: ≥ 26dB (1 KHz)
Frequency Response	: 100-20000Hz

AM TUNER

Frequency Range	: 531 - 1602 KHz (Asia) 522 - 1620 KHz (Europe) 530 - 1710 KHz (USA)
IF	: 450 KHz
Usable Sensitivity	: ≤ 40dBuV

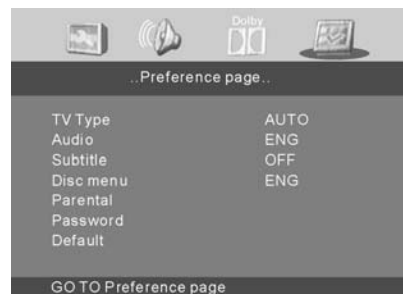
DVD PLAYER

Signal-to-noise Ratio	: ≥ 85dB (1 KHz)
Distortion	: ≤ 0.5%

NOTE:

Specifications and design are subject to change without notice.

Preference Page



TV Type

Following options are available for TV Type:

PAL Auto NTSC

Audio

Following options are available for the Audio Language:

English	French	German	Russia	
Spanish	Italian	Portuguese	Swedish	
Dutch	Korean	Danish	Norwegian	Hungarian

Subtitle

Following options are available for the Subtitle Language:

English	French	German	Russia	
Spanish	Italian	Portuguese	Swedish	
Dutch	Korean	Danish	Norwegian	Hungarian

Disc Menu

Following options are available for the Disc Menu Language:

English	French	German	Russia	
Spanish	Italian	Portuguese	Swedish	
Dutch	Korean	Danish	Norwegian	Hungarian

Parental

Following options are available for the Parental Ratings:

1 KID SAF	2 G	3 PG
4 PG 13	5 PGR	6 R
7 NC 17	8 ADULT	9 Off

The Parental Ratings could be changed after the correct password input.

Password

Setup the password for Parental Ratings change. The default password is 0000.

Default

The unit will restore all default settings by selecting this option.

SAFETY INFORMATION

Please read the manual carefully before operating this unit and keep it for future reference.

CAUTION: This unit is a class 1 laser product. To prevent direct exposure to the laser system, do not open the unit. The laser beam may hurt your eyes. If the unit requires adjustments, contact an authorized service centre.

USE THIS PRODUCT SAFELY

Be sure you fully understand the following safety information:

When driving

Keep the unit at an appropriate sound level. Driving with the sound at a level preventing you from hearing sounds outside and around the car may cause an accident.

When cleaning

Do not expose the product to water or excessive moisture. This could cause short circuit, fire or other severe damage.

When parked

Parking in direct sunlight can result in very high temperature levels inside your car. Let the interior and unit cool down before switching the unit on.

NOTE:

Do not use and store the player in dusty, hot or humid environment.

FUSE REPLACEMENT – WARNING!



Never replace any fuse with one of a higher value than the fuse supplied with your unit. Using a higher current rated fuse may cause damage to your unit and/or electrical wiring.

FEATURES

- ISO/1-DIN Size
- DVD/DVD-R/DVD-RW/VCD/CD/CD-R/CD-RW/MP3 Compatible
- 3.6" Wide-Screen TFT/LCD Display
- High Brightness: 300 cd/m²
- Color, Contrast, Brightness, Tint controls
- Fully Motorized Slide Down Front Panel
- Motorized Viewing Angle Adjustment
- Last Angle Memory for Front Panel
- Car DVD Slot-in Mechanism
- Digital & Mechanical Anti-Shock with ESP Memory
- Built-In Dolby Digital Decoder
- Built-In MP4 Decoder
- Last Position Memory
- OSD (On Screen Display)
- NTSC/PAL compatible
- Full Function Remote Control
- IR Repeater
- AM/FM PLL Synthesizer Tuner with 30 Memory Presets
- Auto Store Pre-set Scan
- Preset EQ (POP CLASSIC ROCK USER)
- Bass/Treble/Fader/Balance Controls
- Extending Amplifier Control
- Auto Antenna Control
- Telephone Mute Control
- Brake Reminder System
- Detachable Face
- Clock Function
- Hi Power 50W x 4
- 4 RCA Audio Outputs
- 1 RCA Video Output
- 1 RCA Sub-Woofer Output
- 1 RCA Audio Video Input
- 1 RCA Rear View Camera Input
- Mini USB / SD Card
- iPod Input Connection (Cable not included)

NOTE:

*This user's manual is only for reference.
Modifying rights are reserved.
Specifications are subject to change without notice.*

Captions

Select ON or OFF.

Screen Saver

Select ON or OFF.

Last Memory

Select ON or OFF.

Speaker Setup Page



Down mix

Following options are available for the Down mix:
LT / RT Stereo

Dolby Digital Setup



Dynamic

Choose arrangement is from FULL to OFF.

DVD SETUP MENU

SETUP MENU OPERATION

Press the [SETUP] button of Remote Control to enter the SETUP Menu.

Press the [<] [>] buttons to switch the main menus as following:

General – Speaker – Dolby Digital - Preference

Press the [ENTER] or [√] buttons to enter the submenus from main menus.

Press the [<] button to exit the submenus to main menus.

Press the [√] [^] buttons to select the submenus as your need.

Press the [>] button to enter the items of submenus.

Press the [<] button to exit the items of submenus.

Press the [√] [^] buttons to select the item you want to change.

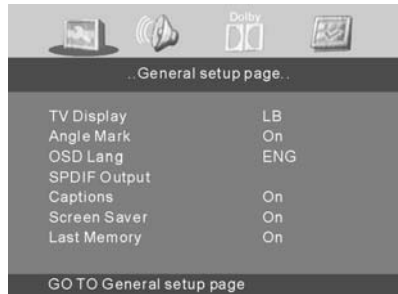
Press the [ENTER] button to confirm the item you have selected.

Press the [SETUP] button to exit the SETUP Menu and save all settings.

NOTE:

Effective only DVD, SD & USB Mode.

General Setup Page



TV Display

Following options are available for the TV Display:

Normal / PS Normal / LB Wide

Angle Mark

Select ON or OFF.

OSD Language

Following options are available for the OSD Language:

English French German Russia
 Spanish Italian Portuguese Swedish
 Dutch Korean Danish Norwegian Hungarian

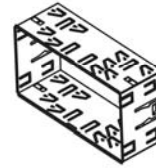
SPDIF Output

Following options are available for the SPDIF Output:

SPDIF Off SPDIF / RAW SPDIF / PCM

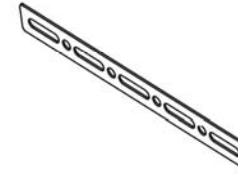
ACCESSORIES

1



Mounting Sleeve x 1

2



Back Strap x 1

3



5X5 Screws x 4

4



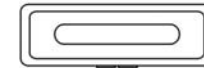
Keys x 2

5



Main Wire Harness x 1

6



Faceplate Case x 1

7



Remote Control x 1

8



Operational Manual x 1

9



Trim Bezel x 1

10



Rear Mounting Bolt x 1

11



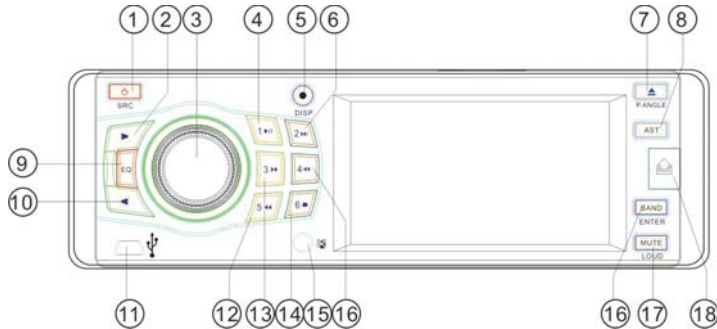
USB Cable x 1

12



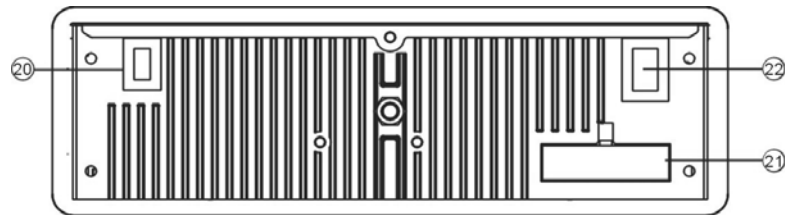
iPod Cable x 1
(option)

FRONT PANEL



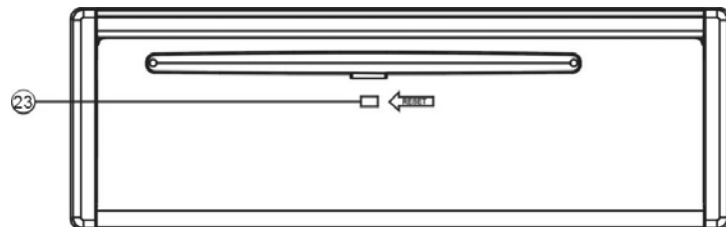
- | | | |
|-----------------------|--------------------|------------------|
| 1. POWER / SOURCE | 7. EJECT / P.ANGLE | 13. F.FWD |
| 2. RIGHT | 8. AST | 14. STOP |
| 3. VOLUME + / - / SEL | 9. EQ | 15. REMOTE |
| 4. PLAY / PAUSE | 10. LEFT | 16. PREVIOUS |
| 5. DISP | 11. MINI USB | 17. BAND / ENTER |
| 6. NEXT | 12. F.REW | 18. MUTE / LOUD |
| | | 19. REL |

REAR PANEL



- | | |
|--|--------------------------------|
| 20. RADIO ANTENNA, IPOD MINI DIN & IR REPEATER ADAPTER | 22. VIDEO AUDIO OUTPUT & INPUT |
| 21. 16PIN SOCKET | |

BASE PANEL



23. RESET

IPOD OPERATIONS

NOTE: It is available for IPOD operations with an additional IPOD cable which is optional accessory.



- | | |
|------------------------------------|----------------------------------|
| 1, The Number of Playing Song; | 2, The Total Songs in Play List; |
| 3, The Name of Playing Song; | 4, The Playing Time; |
| 5, The Total Time of Playing Song; | |

- 1, Press the [POWER/SOURCE] button to switch to IPOD Mode if IPOD connected.
- 2, the unit will switch to IPOD Mode automatically if IPOD connected.
- 3, the unit will switch to RADIO Mode automatically if IPOD disconnected.

Music:

Under the IPOD Mode, it is not effective for the controller of IPOD itself, use the keys of unit to control the operation and all operations are same as DVD Mode.

Picture & Video:

Hold on pressing the [STOP] button to switch the operation control to IPOD itself. To use the controller of IPOD itself to control all operations of IPOD including play music, videos and view pictures.

Hold on pressing the [STOP] button again to switch to play the music of IPOD.

NOTE:

The TV Output in IPOD SETUP should be effective, and the pictures & videos could be displayed on the TFT monitor of unit.

AV IN OPERATON

Press the [POWER/SROUCE] button to switch to AV IN Mode.
There are 2 RCA Audio Inputs & 1 RCA Video Input for unit.

REAR VIEW OPERATIONS

- 1, when car backup, the unit will switch to REAR VIEW Mode automatically if backup camera connected.
- 2, the monitor will display the picture taken by the backup camera.
- 3, the unit will return to the former working Mode when backup finished.
- 4, under car ACC ON and the unit Power OFF, the unit will Power On automatically and switch to REAR VIEW Mode when car backup. The unit will Power OFF automatically when backup finished.

NOTE:

Under the Rear View Mode, there are Power OFF, monitor angle adjustment, telephone mute, volume adjustment functions on working ONLY.

Under the Rear View Mode, the Brake Control function is no effective.

Repeat

Press the [REPEAT] button to repeat the same track, press it twice to repeat all tracks. When playing a DVD movie, pressing once will repeat the same chapter but pressing twice will repeat the entire title.

Angle

Press the [D.ANGLE] button during playback to select different viewing angles with interactive DVD media.

PBC

PBC is available in VCD mode as playback control switch.

Menu

Menu is available in DVD mode as playback control panel.

Audio

When playing a DVD disc, press the [AUDIO] button to select one of the available languages.

Subtitle

For DVD disc, press the [SUBTITLE] button to select one of the available languages.

Program

When playing a VCD disc (PCB off) or CD disc, press the [PROGRAM] button to enter the program status; Press the number buttons to enter the number of the track you want to play. If you want to exit, press the [PROGRAM] button again.

Slow

Press the [SLOW] button to activate the playback in slow motion (DVD mode only.)

P/N

Press the [P/N] button to select the video output format (PAL/NTSC).

Number Buttons

Press the number buttons to play your favourite track. For example: to play track 8, press the button 8. To play track 68, press the buttons 6 and 8 etc.

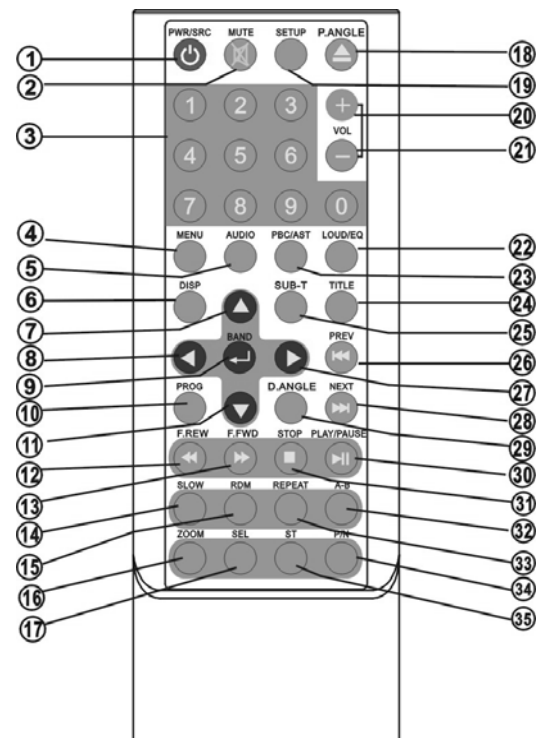
Random

Press the [RDM] button to shuffle all tracks. Press it again to return to the normal playback mode from the first track (CD mode only.)

SD / USB OPERATIONS

- 1, Press the [POWER/SOURCE] button to switch to SD or USB Mode if SD / MMC Card or Mini USB connected.
- 2, the unit will switch to SD or USB Mode automatically if SD / MMC Card or Mini USB connected.
- 3, the unit will switch to RADIO Mode automatically when SD / MMC Card or Mini USB disconnected if there is no disc in the unit; the unit will switch to DVD Mode automatically when SD / MMC Card or Mini USB disconnected if there is a disc in the unit.
- 4, Under the SD or USB Mode, all operations are same as DVD Mode.

REMOTE CONTROL

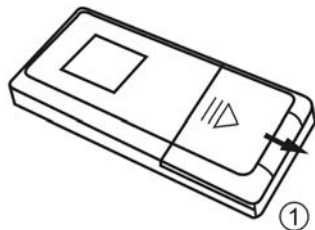


- | | | |
|---------------------|---------------------|--------------------|
| 1. POWER/SOURCE | 13. F.FWD | 25. SUBTITLE |
| 2. MUTE | 14. SLOW | 26. PREVIOUS |
| 3. NUMBER BUTTONS | 15. RANDOM | 27. RIGHT(Seek up) |
| 4. MENU | 16. ZOOM | 28. NEXT |
| 5. AUDIO | 17. SELECT | 29. D.ANGLE |
| 6. DISPLAY | 18. EJECT / P.ANGLE | 30. PLAY / PAUSE |
| 7. UP (Tune up) | 19. SETUP | 31. STOP |
| 8. LEFT (Seek Down) | 20. VOLUME+ | 32. A-B |
| 9. ENTER / BAND | 21. VOLUME- | 33. REPEAT |
| 10. PROGRAM | 22. LOUD / EQ | 34. PAL / NTSC |
| 11. DOWN(Tune Down) | 23. PBC / AST | 35. STEREO |
| 12. F.REW | 24. TITLE | |

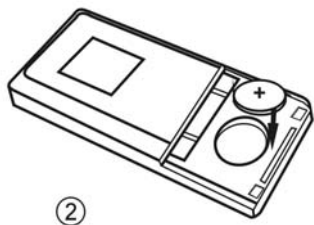
Replacing the Batteries

If the remote control has no function or if the operating range is reduced, replace the old battery with new one.

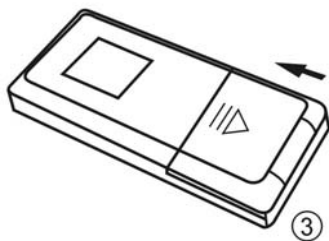
1. Remove the battery cover. Follow the arrow (1) slide the tab to the right while pulling the cover away at the same time.



2. Place the new battery in the tray and slide the cover back into place.



3. Make sure the cover is locked into place.

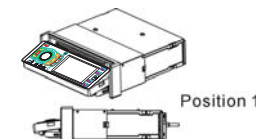


DVD PLAYER OPERATIONS

- 1, Press the [POWER/SOURCE] button to switch to DVD Mode if disc inside.
- 2, When disc loading, the unit will switch to DVD Mode automatically.

Inserting Disc

Press [EJECT] button, the front panel will slide down to Position 1; then insert a disc into the Disc Loading Slot; the panel will slide back automatically.



Ejecting Disc

Press [EJECT] button, the front panel will slide down to Position 1; then eject a disc; the panel will slide back automatically after 30 seconds, if no action is taken.

NOTE:

The [EJECT] button on the remote control will perform the same functions.

Play/Pause

Press the [PLAY/PAUSE] button to play or pause the disc.

Stop

During movie playback, press the [STOP] button once; the DVD player memorizes the location where you stopped (press PLAY button to resume playing from the memorized location).

If you press the [STOP] button twice, the playback will start from the beginning of the disc when you press again on the [PLAY] button.

F.FWD/F.REV

Press the [F.FWD] / [F.REV] buttons to select fast forward / reverse search. Press the buttons on the remote control performs the same operation. Press the [PLAY/PAUSE] button to resume to normal playback.

Previous/Next

Press the [Previous/Next] button to go to the pervious / next chapter, track or song.

Setup

Press the [SETUP] button to enter the setup menu.

Enter

In DVD mode, press the [ENTER] button to confirm the Setup Menu.

Direction

Press the direction buttons (UP / DOWN / LEFT / RIGHT arrow) to move the cursor to the selected item.

Display

Press the [DISPLAY] button to display the current playback information on the screen.

Zoom

Press the [Zoom] button during normal playback to zoom a picture. Press it repeatedly to switch between the zoom levels.

Manual Store Radio Station

Hold on pressing the number buttons on the panel or the remote control, you can store current radio frequency to the stored channel. For example, current frequency is 98.5MHZ, by hold on pressing button 2; you can store the radio station of 98.5MHZ to the channel 2.

NOTE:

-After manual store radio station, the former stored stations will be instead.

-In each wave band, the number buttons [1] to [6] represent the stored radio stations.

Recall a Preset Station

Press the number buttons [1] ~ [6] to recall the corresponding stored station in M1-M6 channels.

CLOCK FUNCTION

Clock Adjustment Method

1. press any button except the [POWER/SOURCE], [EJECT/P.ANGLE] and [REL] buttons only under the Power Off Mode, the unit will display the time on the monitor, and disappear automatically 5 seconds later if no any operation.
2. adjust time only under the Power Off Mode.
Press the [SEL] button to select items as following:
PM/AM – HOUR – MINUTE
Rotate the [VOL] button clockwise / anticlockwise to adjust the item selected.
3. under 'ASIA' radio area, press the [MUTE/LOUD] button to change the 12 hours & 24 hours format.
under 'USA' radio format, the default hours format is 12 hours.
under 'EUROPE' radio format, the default hours format is 24 hours.

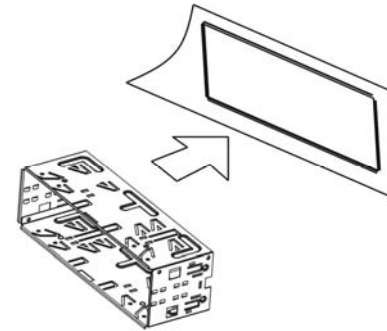
Clock Priority Method

The unit will display the time on the monitor under the RADIO Mode only. Press the [DISP] button to display the time, and it will disappear automatically 5 seconds later; holding on pressing the [DISP] button, the unit will display the time until press any button again.

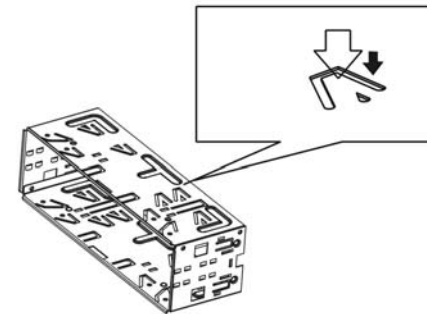
UNIT INSTALLATION

Installation Method 1: Din Front-Mount

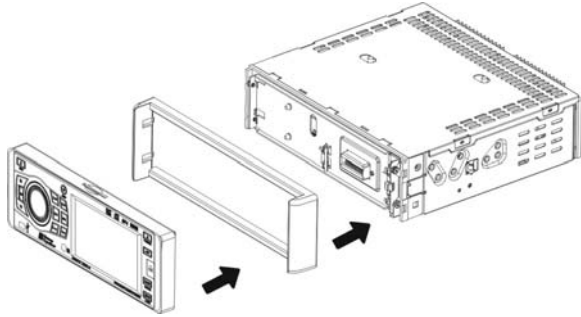
Install the Mounting sleeve into the dashboard.



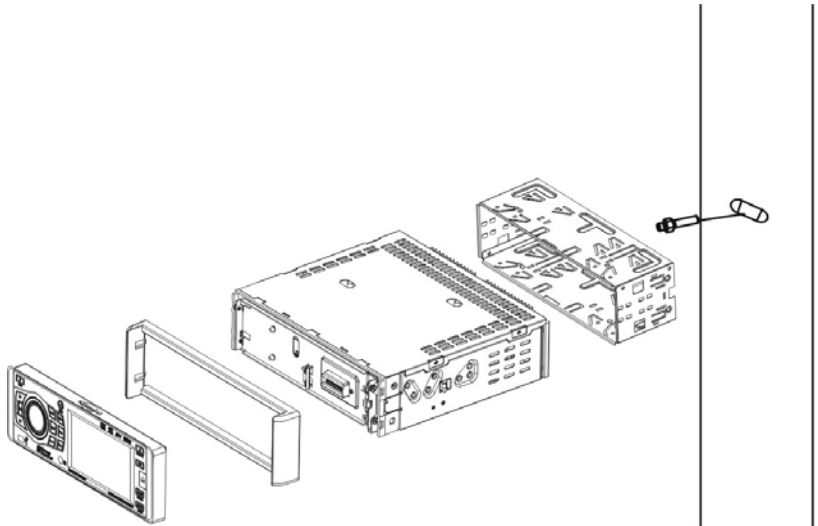
Bend as many claws outward for tight fit, to lock the sleeve into place.



Install the trim bezel to the unit. (Arched surface toward the bottom).

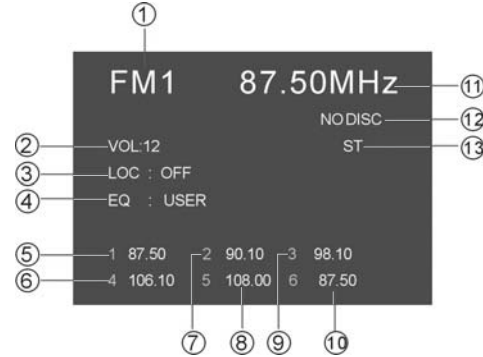


Use the Rear Mounting Bolt to support the unit.



RADIO OPERATIONS

Press the [POWER/SOURCE] button to switch to Radio Mode.



- | | | |
|---------------|----------------------|-----------------|
| 1, BAND | 2, VOLUME | 3, LOCAL |
| 4, EQ | 5~10, STORED CHANNEL | 12, DISC STATUS |
| 11, FREQUENCY | 13, STEREO | |

Switch FM/AM Wave Band

Press the [BAND/ENTER] button on the panel or the remote control to switch the wave band as following: FM1-FM2-FM3-AM1-AM2

Automatic Tuning

Hold on pressing [>] / [<] buttons to seek the next available channel by increasing / decreasing the tuning frequency; press any button to stop seeking.

Automatic Tuning will stop automatically when seek an available channel then play this station.

The unit will stop on the beginning frequency if no available station after seeking one cycle.

Step Frequency Adjustment

Press the [>] / [<] buttons to adjust the frequency upward / downward by step increasing / decreasing.

Preset Stations

Seeking and store the stations.

1. Hold on pressing the [AST] button on front panel or the [PBC/AST] button of the remote control, to seek stations with the strongest signal from the lowest frequency point in the entire wave bands; press any button to stop seeking.
2. Store the received effective radio frequency to the six stored channels M1~M6.
3. The unit will play the stations one by one for few seconds; press any button to stop playing.
4. It is independent for FM & AM frequency. There are 3 wave bands of FM1-FM2-FM3 & 2 wave bands of AM1-AM2; each can store 6 radio stations, totally 30 radio stations.

NOTE:

The unit will stop on the beginning frequency if no available station after seeking one cycle.

After Preset Stations, the former stored stations will be instead.

Viewing Angle Adjustment:

Press and hold the [P.ANGLE] button to adjust the angle of the face.

Angle 1- Angle 2- Angle 3- Angle 4- Angle 1



Angle 1 Angle 2 Angle 3 Angle 4

NOTE:

You can also make the same adjustments with the remote control.

Simply press and hold the [P.ANGLE] button to adjust according to your preference.

Restore Default Angle

Turn OFF the unit; then press preset buttons 1,2,3,4,5,6 and turn the unit ON again.

The monitor should display 'START MOTOR ALGN'.

Then, the monitor should display 'MOTOR ALGN OK'.

The motor and gear drives are now back to their factory positions.



Brake Control

It is necessary to connect the Brake Control wire to the Hand-brake switch of the car. While driving, the TFT monitor will display the alarm picture (see as follows) in order to ensure the safety.



Under the Rear View Mode, the Brake Control function is no effective.

Telephone Mute Control

Connect the telephone mute control wire TEL_MUTE (see Wiring Diagram). If there is a vehicle call comes in, the sound volume will mute off automatically, and TFT monitor shows: PHONE...; when call finished, the sound volume will recover to former volume, and the words PHONE... disappear.

Auto Antenna Control

Connect the auto antenna control wire AUTO_ANT (see Wiring Diagram); the antenna will lift when the unit startup; it will descend when the unit turnoff.

Installation Method 2:

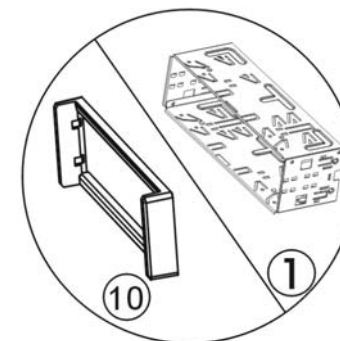
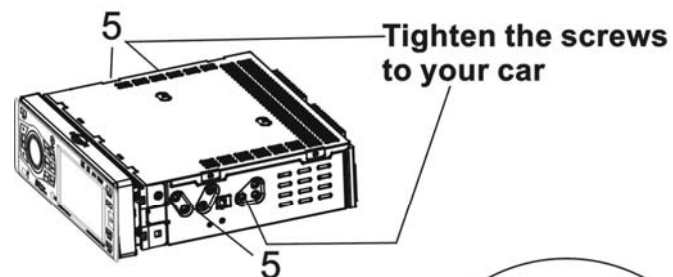
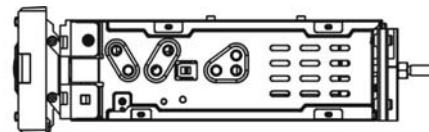
Using the screw holes at the sides of the unit (ISO Mount).

1. Remove the hooks on both sides.

2. Select a position where the screw holes of the mounting bracket supplied with the car and the screw holes of the main unit become aligned, tighten the screws on each side, and re-mount the brackets with the factory hardware in the original location.

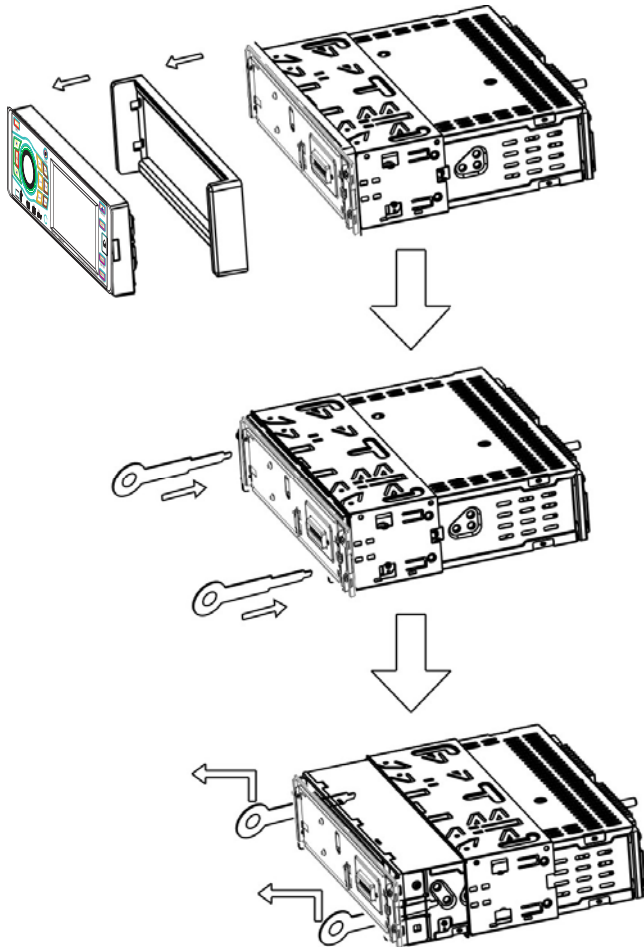
NOTE:

1 and 10 are not used for installation method2.



UNIT REMOVAL (when installed using the sleeve)

1. Detach the front panel.
2. Insert the keys supplied with the unit on both sides (as illustrated) as this will release the internal locks so you can slide the unit out.



Press [SEL] button once to enter the Sound Parameter Setup:

▶ FADER	CENT
BALANCE	CENT
BASS	00
TREBLE	00
LOUDNESS	OFF
EQ	USER

FADER: F07 – CENT – R07
 BALANCE: L07 – CENT – R07
 BASS: -07 – 00 – +07
 TREBLE: -07 – 00 – +07
 LOUDNESS: ON / OFF
 EQ: USER – POP – CLASSIC – ROCK – USER

In all modes except Radio Mode, Press the [SEL] button twice to enter the Picture Parameter Setup:

▶ NTSC/PAL	NTSC
COLOR	15
BRIGHT	15
CONTRAST	15
TINT	15
RESET	

NTSC/PAL: AUTO – PAL – NTSC – ATUO
 COLOR: 00 – 30
 BRIGHT: 00 – 30
 CONTRAST: 00 – 30
 TINT: 00 – 30
 RESET: press the [<] / [>] buttons to restore the default parameters of Picture.

In the Radio mode, press the [SEL] button twice to enter the Tuner Parameter Setup:

▶ LOCAL	OFF
STEREO	ON
AREA	USA

LOCAL: ON / OFF
 When you are using the local searching function of LOCAL, you can only receive the radio station with strong enough signals and fine state.
 STEREO: ON / OFF
 AREA: EUROPE – ASIA – USA – JAPAN – OIRT – EUROPE
 This tuner can be switched to work in different countries. Choose the area that works best for you.

BASIC OPERATIONS

Power:

Press the [POWER/SOURCE] button to turn the unit ON;
Hold on pressing the button to turn the unit OFF.

Switching Sources:

When the unit is turned ON, press the [POWER/SOURCE] button to toggle between the different modes as following:

RADIO - DVD – SD– USB – IPOD – AV IN - RADIO

NOTE:

*The unit could be switched to DVD Mode if disc inside;
The unit could be switched to SD Mode if SD / MMC Card connected;
The unit could be switched to USB Mode if Mini USB connected;
The unit could be switched to IPOD Mode if IPOD connected;*

Mute:

Press the [MUTE/LOUD] button to switch off the sound; press it again to resume to the previous volume level.

Loud:

Hold on pressing the [MUTE/LOUD] button to activate on / off the loudness feature.

Volume Control:

Rotate the [VOL] button clockwise / anticlockwise to increase / decrease the volume.

EQ:

Press the [EQ] button of front panel or the [LOUD/EQ] button of remote control to access the preset EQ settings or the user settings to adjust the audio output to your preference.

Press the [SEL] button to enter the Sound Parameter Setup to access the preset EQ settings or the user settings to adjust the audio output to your preference. (See SEL function)

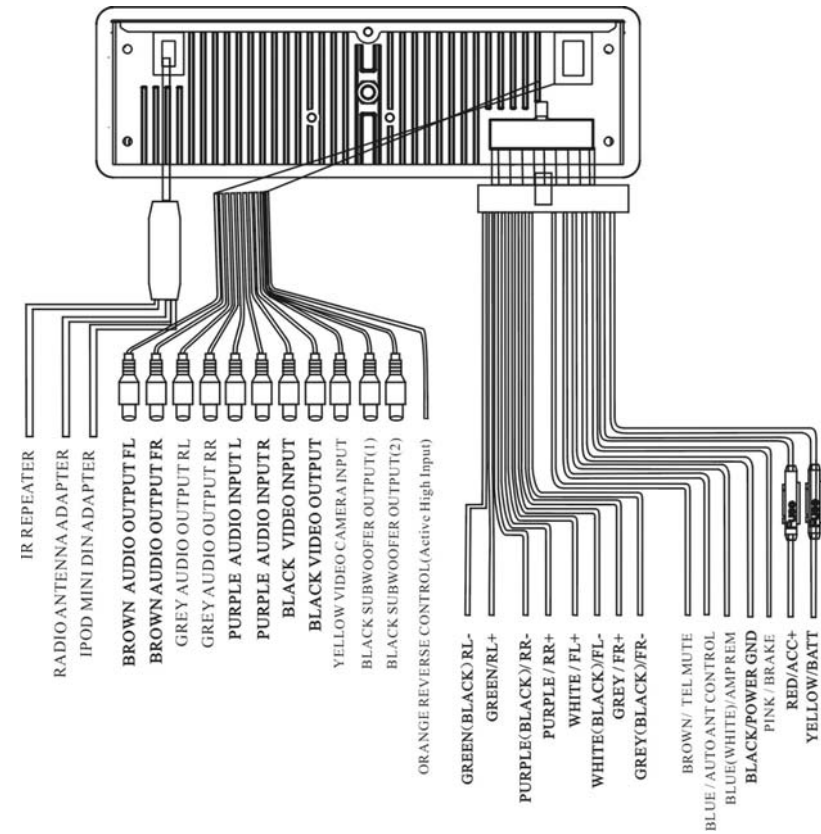
RESET:

If the unit ever needs to be reset, you can do so by removing the face plate to gain access to the reset button.
Press and hold this button to switch back to all the original factory settings.
Keep in mind this will erase all your preset radio stations and any EQ settings you may have made and saved.

SEL:

Press the [SEL] button to enter the Sound Parameter Setup, Picture Parameter Setup & Tuner Parameter Setup.
Rotate the [VOL] button clockwise / anticlockwise or press the [▲] / [▼] buttons on remote control to move the cursor down / up on the adjustable items.
Press the [←] / [→] buttons to adjust the parameter value.

WIRE CONNECTION



DISC NOTES

■ Disc formats supported by this player



(Only 12cm disc)

Handling and cleaning

- Dirty, dusty, scratched or warped discs may not play properly.
- Do not place stickers or make scratches on discs
- Do not warp discs.
- Store discs in their cases when not in use.
- Do not place discs in the following places:
 1. Direct sunlight.
 2. Dirty, dusty and damp areas.
 3. High temperature places.
 4. On the seats or dashboard.

Disc Cleaning

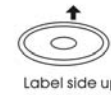
Use a dry soft cloth to wipe the surface. If the disc is quite dirty, use a soft cloth slightly moist with isopropyl (rubbing) alcohol.

Never use solvent such as benzene, thinner or conventional record cleaners which may mar the surface of the disc.

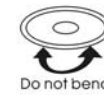
NOTE:

A disc may become somewhat scratched to a point which will skip excessively or not play at all in your player. Have the disc resurfaced or polished to reduce the issue or replace the disc with a new one.

DISC OPERATIONS



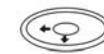
Label side up



Do not bend



Do not touch
the underside
of the disc



Wipe the disc from
the centre toward
edge



Repairing New Discs with Rough Spots

A new disc may have rough edges on its inside and outside edges. If a disc with rough edges is used, the proper setting will not be performed and the player will not play the disc. Therefore, remove the rough edges in advance by using a ballpoint pen or pencil. To remove the rough edges, press the side of the pen or pencil against the inside and outside edges of the disc.