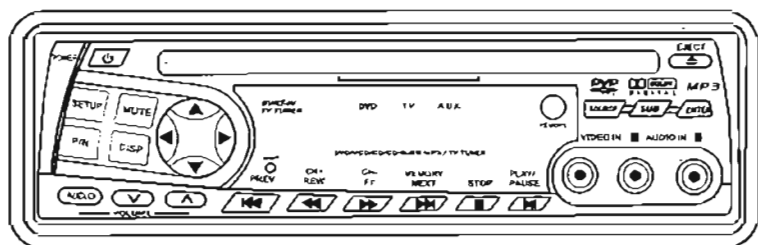


# OWNER'S MANUAL

## Mobile Video System

---

VDVD 161T



Soundstream

## SAFETY INFORMATION

Please read the manual carefully before operating this unit and keep it for future reference.

**CAUTION:** This unit is a class 1 laser product. To prevent direct exposure to laser system, do not open the unit. The laser beam may hurt your eyes. If the unit requires adjustments, contact an authorized service centre.

### USE THIS PRODUCT SAFELY

Be sure to read and fully understand the following safety information:

#### When driving

Keep the unit at an appropriate sound level. Driving with the sound at a level that prevents you from hearing sounds outside and around the car may cause an accident.

#### When car washing

Do not expose the product to water or excessive moisture. This could cause short circuit, fire or other damage.

#### When parked

Parking in direct sunlight can produce very high temperature inside your car. Give the interior a chance to cool down before switching the unit on.

#### Use the proper supply

This product is designed to operate with a 12 V DC, negative ground operation.

## FEATURES

Din-Size  
DVD/VCD/CD/CD-R/CD-RW/MP3 Compatible  
Full Function Remote Control  
Wireless Remote Control  
Extra Remote Eye  
Last Position Memory  
On Screen Display  
Front Panel A/V RCA Input  
Dolby Pro-logic/DTS Compatible  
Digital Anti-Shock  
NTSC/PAL Switchable  
Video Output x 2  
A/V Input x 1  
Built-IN TV Tuner

This manual describes high performance DVD Player. The unit can play DVD/VCD/CD/CD-R/CD-RW/MP3. It can be used as car DVD player or portable DVD player. It has two external inputs with AV signal which support PAL and NTSC system, 2 channel CVBS outputs, built-in Dolby digital and DTS decoder and 2 channel audio outputs.

### NOTE:

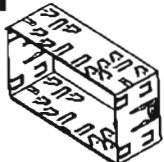
This user's manual is only for reference.

Modifying rights are reserved.

Modifications are subjected to change without notice.

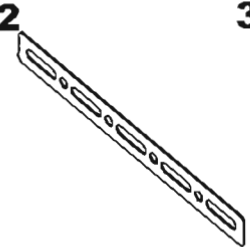
# ACCESSORIES

- 1**



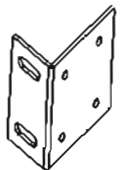
Mounting Box x1

**2**




Steel Bar x1

**3**

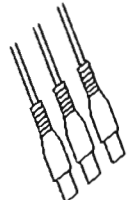


Mounting Bracket x2

**4**




M5x5 4Screws  
M4x5 4Screws
- 5**




AV Cable x 1

**6**




Remote Control Receiver

**7**




Keys x 2

**8**




Connector Wire x 1
- 9**




Video Cable x 1

**10**




Remote Control x 1

**11**

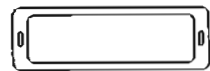


Operational Manual x 1

**12**

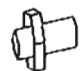


Product Warranty Registration Card
- 13**



Frame x1

**14**

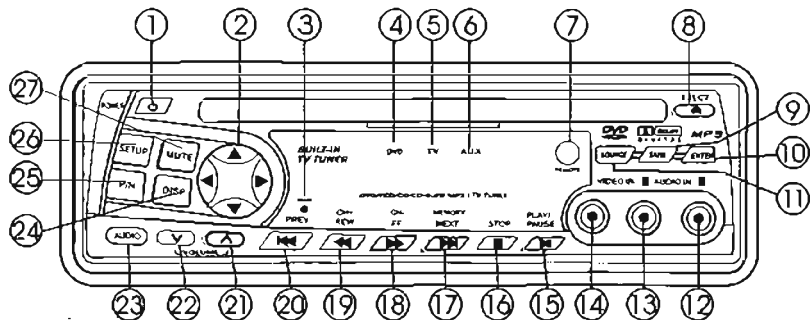


Rear Mounting Bolt x1  
(Fixing at rear panel)

# TABLE OF CONTENTS

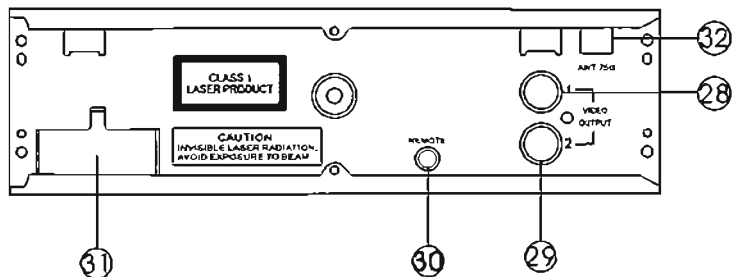
Safety information .....	1
Features .....	2
Accessories .....	3
Table of Contents .....	4
Front Panel Description .....	5
Rear panel Description .....	5
Remote Control Description .....	6
Installation and Removal .....	8
Wire Connection .....	13
Disc Notes .....	14
Disc Operation .....	15
Basic Playback Operations .....	16
Setup Of Player Function .....	18
Specifications .....	25
Requirements .....	26
Trouble Shooting .....	27

## FRONT PANEL DESCRIPTION



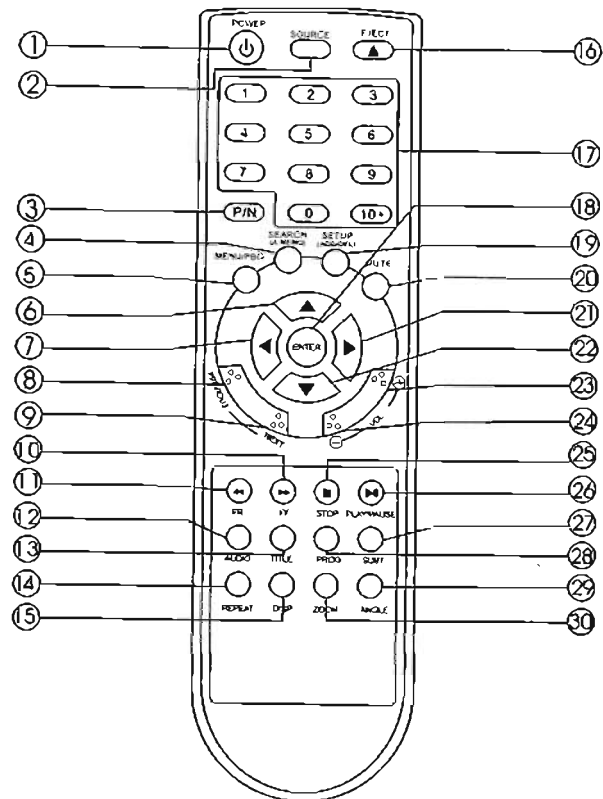
- |                                |                   |                   |
|--------------------------------|-------------------|-------------------|
| ① POWER                        | ⑩ ENTER           | ⑲ TV CH+//DVD REW |
| ② DIRECTION BUTTON             | ⑪ SOURCE          | ⑳ PREVIOUS        |
| ③ RESET                        | ⑫ AUDIO INPUT RCH | ㉑ VOLUME+         |
| ④ INDICATOR LIGHT FOR DVD      | ⑬ AUDIO INPUT LCH | ㉒ VOLUME-         |
| ⑤ INDICATOR LIGHT FOR TV       | ⑭ VIDEO INPUT     | ㉓ AUDIO           |
| ⑥ INDICATOR LIGHT FOR AV INPUT | ⑮ PLAY/PAUSE      | ㉔ DISPLAY         |
| ⑦ IR                           | ⑯ STOP            | ㉕ PAL/NTSC        |
| ⑧ EJECT                        | ⑰ MEMORY//NEXT    | ㉖ SETUP           |
| ⑨ SUBTITLE                     | ⑱ TV CH-//DVD FF  | ㉗ MUTE            |

## REAR PANEL DESCRIPTION



- |                       |                    |
|-----------------------|--------------------|
| ⑳ VIDEO OUTPUT1       | ㉑ 14PIN SOCKET     |
| ㉒ VIDEO OUTPUT2       | ㉓ TV ANTENNA INPUT |
| ㉔ EXTRA REMOTE SOCKET |                    |

## REMOTE CONTROL DESCRIPTION

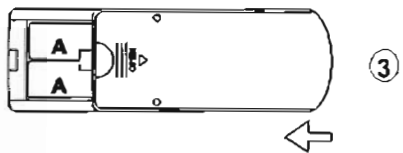
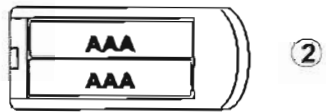
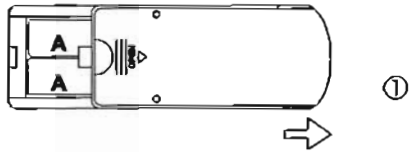


- |                  |                  |               |
|------------------|------------------|---------------|
| ① POWER          | ⑪ FAST REVERSE   | ⑳ RIGHT       |
| ② SOURCE         | ⑫ AUDIO          | ㉑ DOWN/TV CH- |
| ③ P/N            | ⑬ TITLE          | ㉒ VOLUME+     |
| ④ SEARCH(A.MEMO) | ⑭ REPEAT         | ㉓ VOLUME-     |
| ⑤ MENU/PBC       | ⑮ DISP           | ㉔ STOP        |
| ⑥ UP/TV CH+      | ⑯ EJECT          | ㉕ PLAY/PAUSE  |
| ⑦ LEFT           | ⑰ NUMBER BUTTONS | ㉖ SUBTITLE    |
| ⑧ PREVIOUS       | ⑱ ENTER          | ㉗ PROGRAM     |
| ⑨ NEXT           | ⑲ SETUP(ADD/DEL) | ㉘ ANGLE       |
| ⑩ FAST FORWARD   | ㉑ MUTE           | ㉙ ZOOM        |

## Replacing the batteries

If the operational range of the remote control becomes short or no function while operating, replace the batteries with new ones. Make sure the battery polarity is correct.

1. Remove the cover of the batteries.
2. Replace the batteries with new ones and make sure polarity is correct.
3. Close the cover.

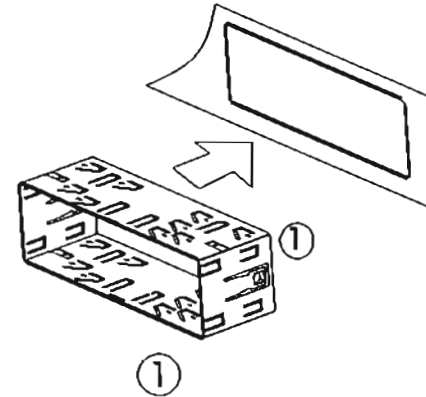


### Warning!

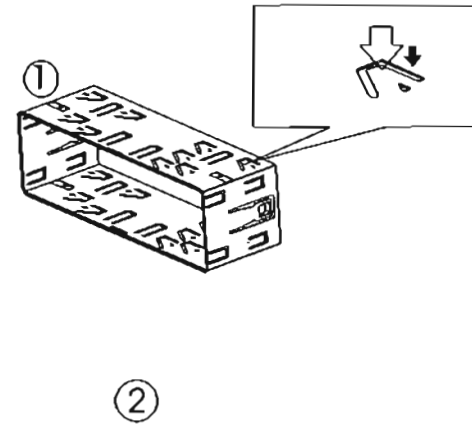
Improperly handle the battery may result in hazardous explosion. It cannot be charged, disassembled or thrown into fire.

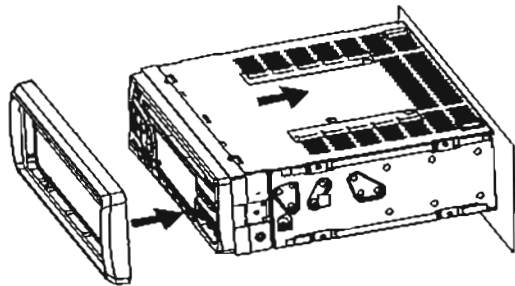
## UNIT INSTALLATION

### Installation Method 1 : Din Front-Mount



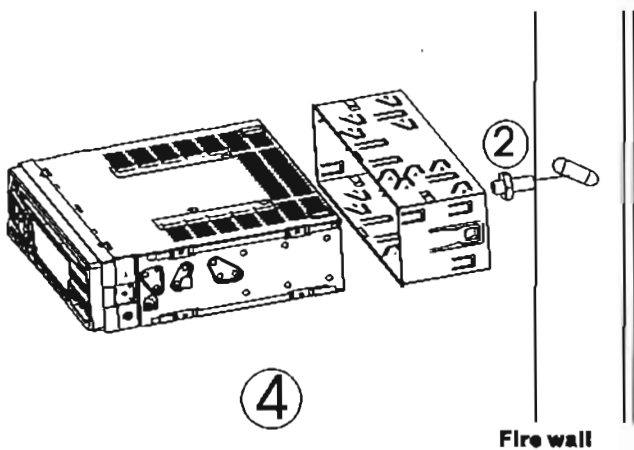
Bend these claws outward for tight fit, if necessary.





3

To support the unit



4

Fire wall

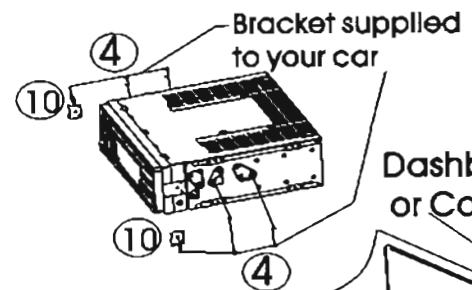
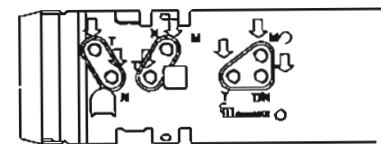
**Installation Method 2:**

Install the screw holes at the sides of the unit.

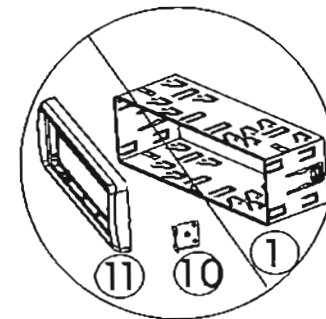
1. Remove the hooks on both sides.
2. Select a position where the screw holes of the mounting bracket supply with the car and the screw holes of the main unit become aligned (are fitted), tighten the screws (see 4) at 2 places on each side, and fasten them to car.

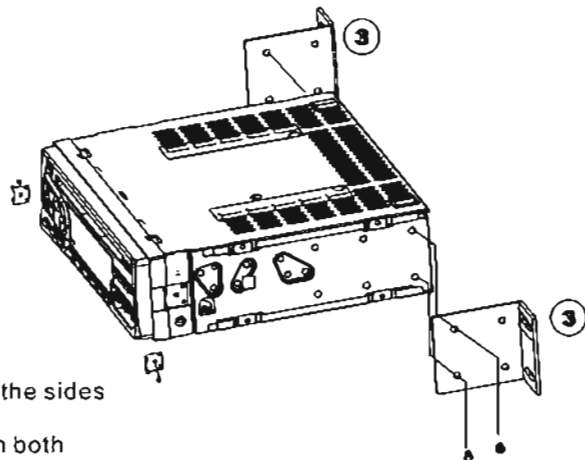
■ **NOTE:**

①⑩⑪ are not used for installation method 2.



Dashboard or Console

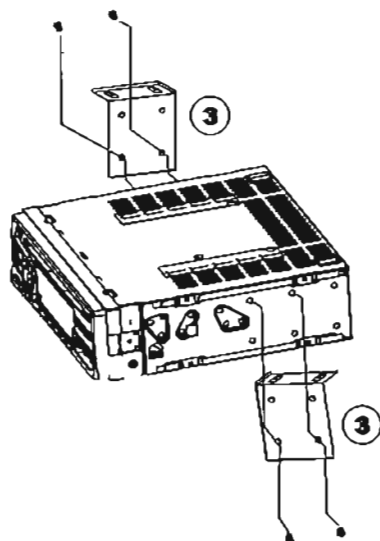




### Installation Method 3:

Install the screw holes at the sides of the unit.

1. Remove the hooks on both sides.
2. Select a position where the screw holes of the main unit become aligned, tighten the screws (see ③ at 2 places) on each side, and fasten them to car.



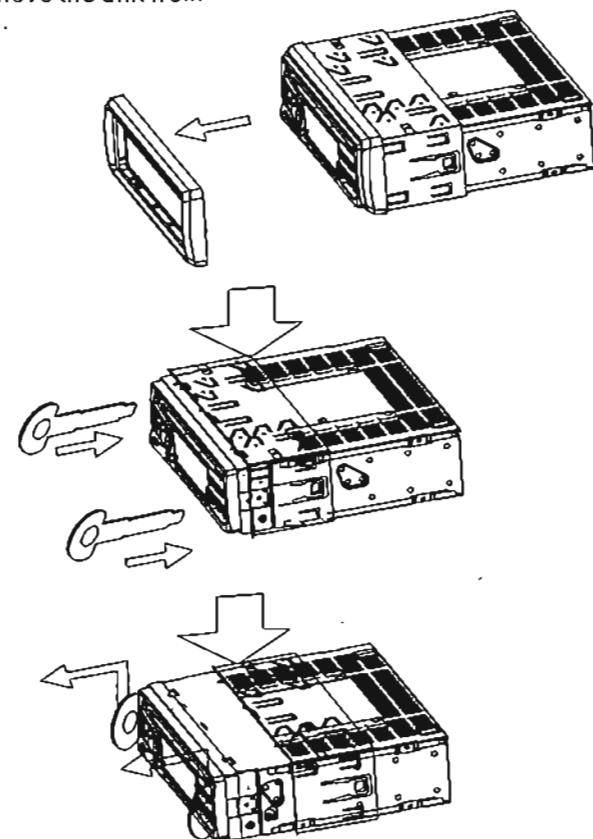
### Installation Method 4:

Install the screw holes at the sides of the unit.

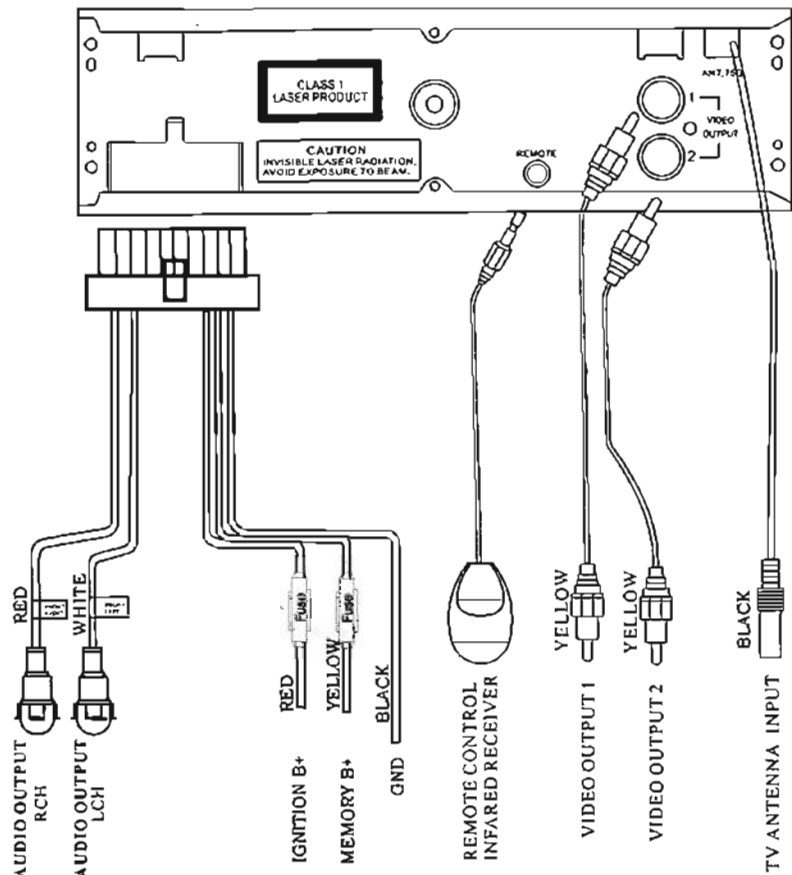
1. Remove the hooks on both sides.
2. Select a position where the screw holes of the main unit become aligned, tighten the screws (see ③ at 2 places) on each side, and fasten them to car.

## UNIT REMOVAL

1. Detach the front panel.
2. Insert the key that supply to the unit at both sides of the unit (shown as illustrated) until pull the key out to make it possible to remove the unit from the dashboard.



## WIRE CONNECTION



### NOTE:

1. If you want to control the set in another place, you can insert the remote control receiver in the rear panel.
2. You can input external AV signal through connecting AV input 1 (Front Panel).
3. You can connect 2 monitors with video output 1 and video output 2.
4. If you directly connect Audio Output (FRONT LEFT, FRONT RIGHT) to TV, SETTING Down mix MENU as STEREO.

## DISC NOTES

- Disc formats supported by this player



(Only 12cm disc)

### ■ Handling and Cleaning

- Dirty, dusty, scratched or warped discs may not play properly.
- Do not place stickers or make scratches on discs
- Do not warp discs.
- Store discs in their cases when not in use.
- Do not place discs in the following places:
  1. Direct sunlight.
  2. Dirty, dusty and damp areas.
  3. High temperature places.
  4. On the sets or dashboard.

### Disc Cleaning

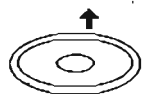
Use a dry soft cloth to wipe the surface. If the disc is quite dirty, use a soft cloth slightly moist with isopropyl (rubbing) alcohol. Never use solvent such as benzene, thinner or conventional record cleaners which may mar the surface of the disc.

### Note:

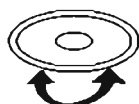
A disc may become somewhat scratched (although not enough to make it unusable) depending on your handling it in the condition of the usage environment. These scratches are not an indication of any problem with the player.



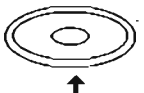
## DISC OPERATION



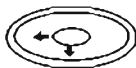
Label side up



Do not bend



Do not touch the underside of the disc



Wipe the disc from the centre toward edge



### Repairing New Discs with Rough Spots

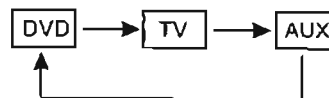
A new disc may have rough edges on its inside and outside edges. If a disc with rough edges is used, the proper setting will not be performed and the player will not play the disc. Therefore, remove the rough edges in advance by using a ballpoint pen or pencil.

To remove the rough edges, press the side of the pen or pencil against the inside and outside edges of the disc.

## BASIC PLAYBACK OPERATIONS

### SOURCE

This unit is turned on by selecting a source. Press to cycle through all of the available sources as following.



### PREPARATION

If you want to play a disc, firstly you should push POWER button to turn on the set and confirm DVD LED on. Place the disc into the set and start to play. If you want to use external input, firstly you should push POWER button to turn on the set and push SOURCE button to select external input 1 or external input 2. You can confirm it through seeing the LED on panel. Then you should connect signal cable.

### DVD PART

#### PLAY/PAUSE

Press the button to play a disc or pause playback.

#### EJECT

Press the button load or eject disc.

#### STOP

During playing, press the button one time, the DVD player memorizes the location where you stopped (press PLAY BUTTON to resume playing from the memorized point); Press the button two times to stop playing (then press PLAY BUTTON to start playing from the beginning of the disc.)

#### NUMBER BUTTON

Push the buttons to play your favorite track. If the track is from 1 to 9, you can directly press the number. If the track number is more than 9, you should use button 10+ and the other number buttons together to select the track.

### DIRECTION BUTTON AND ENTER BUTTON

Press the DIRECTION BUTTON to move the cursor to the select item, and then press the ENTER BUTTON to confirm it.

### FAST REVERSE/FAST FORWARD

Press the button to select fast reverse/ fast forward with different speed.

### ZOOM

Press the zoom button during normal playback to zoom a picture, press the direction buttons to shift the zoom point. Press this button repeatedly to change the magnification levels.

### REPEAT

When playing DVD disc, press the button to repeat the title or chapter. When playing VCD or CD disc, press the button to repeat one track. When playing MP3, press the button to repeat folder, all disc or one song.

### PROGRAM

When playing VCD disc or CD disc, press this button enter program status, press the number buttons to enter the track number you want to programmed playback. If you want to cancel program, press the PROGRAM button again.

### SEARCH

When playing VCD disc or CD disc, press the button to select play according to time. When playing DVD disc, press the button to select play according to title or chapter.

### AUDIO

During playing a DVD disc, press the button to select audio language. When playing other disc, press the button to select audio channel.

### P/N

Press the button to select video output (PAL/NTSC/AUTO).

## DISPLAY

Press this button to display the current playback information on the screen.

## VOL+/VOL-

Press the button to adjust sound volume.

## MUTE

Press this button to mute sound.

## SETUP

Press this button to enter setup menu

## PREVIOUS/NEXT

When playing a DVD disc, press PREVIOUS to select the last chapter press NEXT to select the next chapter. When playing a MP 3 disc, press PREVIOUS to select the last song, press NEXT to select the next song. When playing CD or VCD disc, press PREVIOUS to select the last track, press NEXT to select the next track.

## TITLE

For DVD discs, press this button to enter the title menu, press the direction buttons and PLAY BUTTON to select and play. (if it is supported by the discs.)

## MENU/PBC

Press this button to select PBC on or off during playing VCD disc. Press this button to return boot menu during playing DVD disc.

## SUBTITLE

For DVD disc, press this button to select subtitle.

## PLAY MP3 DISC

Load a mp3 disc, DVD player read the disc and display the information on the screen. You can use PREVIOUS BUTTON AND NEXT BUTTON to select playing.

## RESET

Press this button to restore the default settings. User need to press POWER button to restart the unit after reset.

## TV PART :

### SEARCH:(A.MEMO)

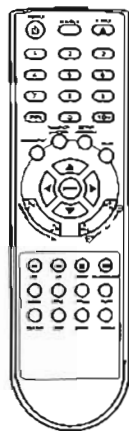
For channel memory,channel can be auto-selected in a quick time by pressing A.MEMO button on a remote controll. Channel may not be selected in a bad RF signal region.

### SET UP(ADD/DEL)

Use this function to delete or memorize a channel you want. Select a channel what you want by pressing the number button and add or erase the channel by pressing the ADD/DEL button.

### VOL+/VOL-

Press the button to adjust sound volume.



### MUTE

Press this button to select MUTE ON or MUTE OFF.

### UP/DOWN

Select the channel you want by pressing adjust ▲ or ▼ buttons in case channel is already selected (memorized).

## SETUP OF PLAYER FUNCTION

This menu can be used to choose audio language, subtitle language, OSD language and DVD menu language. You need to set up these items when you begin to play a DVD disc. When you start to play a DVD disc, the DVD player will automatically choose default language if it contains the language .

- You can press SETUP button on the remote control to bring this setup menu.
- Use UP/DOWN arrow buttons to select the item that you want to change.
- Use LEFT/RIGHT Arrow buttons to change your setting.
- Use UP/DOWN Arrow Buttons to exit the item you want.
- Use UP/DOWN arrow button to page icon and highlight it. Use LEFT/RIGHT arrow buttons to change setup menu page.
- After finishing your setting, you can choose SETUP to exit and save these modifications into memory.

## GENERAL SETUP



(GENERAL SETUP MENU)

## OSD LANGUAGE

This item is used to select OSD (On-screen Display) language. It includes:

- English

## SCREEN SAVER

This item is used to open/close SCREEN SAVER.

- Open: Screen Saver will automatically be executed if the screen keeps still for whole fifteen minutes.
- Close: Screen Saver would not be executed in any situation.

## LOAD SETUP DEF

This item is used to restore all menus as manufacture's defaults, except the item related to Parent Control Sub-tem.

- RESET

## LANGUAGE SETUP



(LANGUAGE SETUP MENU)

## MENU

When you begin to play a DVD disc, this player will automatically select its default menu language which you could choose among the following items.

- ENGLISH
- FRENCH
- RUSSIAN
- JAPANESE
- GERMAN

## AUDIO

When you begin to play a DVD disc, this player will automatically select its default audio language which you could choose among the following items.

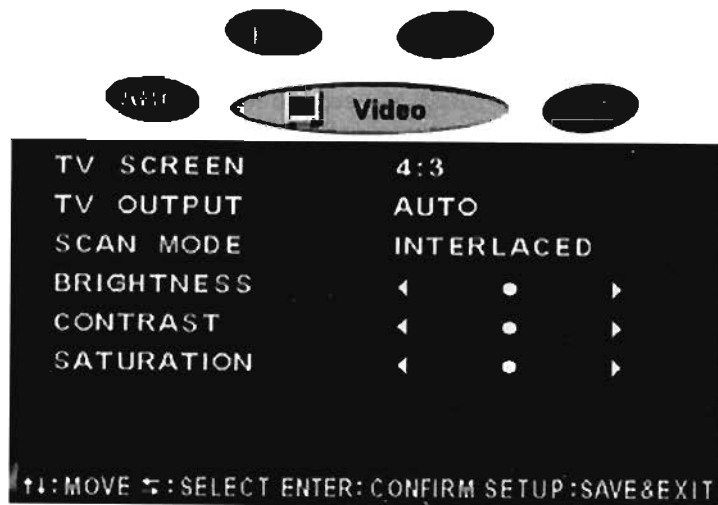
- ENGLISH
- FRENCH
- RUSSIAN
- JAPANESE
- GERMAN

## SUBTITLE

When you begin to play a DVD disc, the default subtitle of this player will automatically be displayed which you could choose among the following items.

- ENGLISH
- FRENCH
- RUSSIAN
- JAPANESE
- GERMAN

## VIDEO SETUP



(VIDEO SETUP MENU)

### TV SCREEN

Which picture format appears on your TV depends on what kind of TV you have and the picture mode your TV is set to:

- 4:3: LETTER BOX refers to pictures where black bands appear at the top and bottom.
- 16:9: WIDE SCREEN for wide screen TV(Full Mode)

### TV OUTPUT

This item is used to select a TV Signal system to match your TV set. It includes:

- AUTO
- NTSC
- PAL

### SCAN MODE

- INTERLACED(Interlaced scanning)

The default setting of the DVD player is INTERLACED (Interlaced Scanning)

## BRIGHTNESS

This item is used to adjust the BRIGHTNESS to your screen

- Press ENTER button to enter this item
- Press LEFT/RIGHT arrow buttons to adjust brightness
- Press UP/DOWN arrow buttons to exit

## CONTRAST

This item is used to adjust the CONTRAST to your screen

- Press ENTER button to enter this item
- Press LEFT/RIGHT arrow buttons to adjust contrast
- Press UP/DOWN arrow buttons to exit

## SATURATION

This item is used to adjust the SATURATION to your screen.

- Press ENTER button to enter this item
- Press LEFT/RIGHT arrow buttons to adjust saturation
- Press UP/DOWN arrow buttons to exit

## AUDIO SETUP



(AUDIO SETUP MENU)

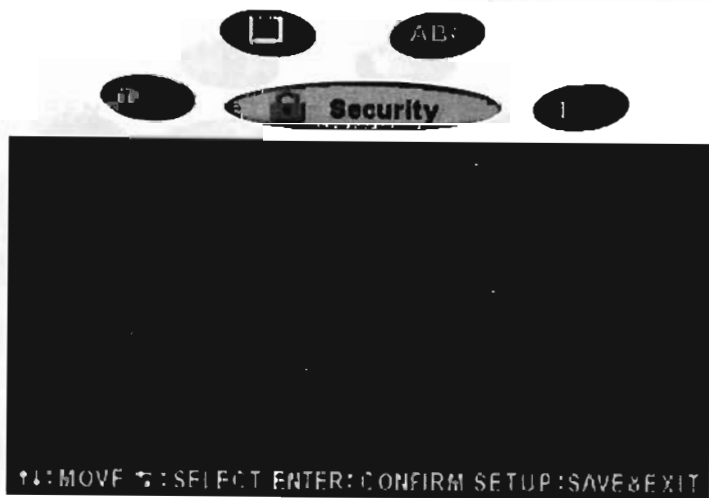
## CHANNEL

- **2CH STEREO:** Select stereo
- **2CH LT/RT:** Select left and right channel

## DIGITAL OUTPUT

- **SET:** Each DVD disc has its own Audio Out put options. You can set up the DVD's Digital Audio Output according to your speaker system. This item contains:
  - **DOLBY:** Select LPCM and BITSTREAM output and OFF.
  - **DTS:** Select LPCM and BITSTREAM OUTPUT and OFF.
  - **MPEG:** Select LPCM and BITSTREAM output and OFF.
  - **PCM:** Select LPCM 48KHZ and LPCM 96KHZ output.
  - **DIGITAL OUTPUT:** Turn digital output ON and OFF.
  - **HDCD UPSAMPLE:** Turn HDCD up sample ON and OFF.
- **BACK:** Back to AUDIO SETUP MENU.

## SECURITY SETUP



(SECURITY SETUP MENU)

## PARENTAL CONTROL

The Parental Control is a rating system such as movie ratings. This helps you control the types of DVD that your family watches. For example, you could edit out violent scenes that are unsuitable for children.

- Use UP/DOWN arrow buttons to select Password item, and enter a personal 4-digital right security code.
- Use UP/DOWN arrow buttons to select Parent Control, and Use LEFT/RIGHT arrow buttons to select the parental control level.
- Press UP/DOWN arrow buttons to exit.  
You can not play DVD discs rated higher than level you selected unless you cancel the parental control function.  
Note: This feature works with DVD discs that have been assigned a rating.

## CHANGING PARENTAL CONTROL PASSWORD

- Use UP/DOWN arrow buttons to select Password item.
- Enter old 4-digital security code
- Then enter new 4-digital security code
- Re-enter to confirm you 4-digital security code.
- Press UP/DOWN arrow button to exit.

**Note:** New 4-digital security code will take effect after closing the Setup Menu.

## NOTE:

1. It is necessary to stop the disc playing if you want to enter the PREFERENCES MENU ITEM.
2. In PREFERENCES MENU ITEM, the system default pass word is 0000.

## SPECIFICATIONS

<b>Supply Voltage</b>	: 12V DC (11V-15V), negative ground
<b>Current Consumption</b>	: Less than 2A
<b>Signal system</b>	: Composite Video 1.0Vp-p 75Ω
<b>Disc Compatible</b>	: 1) DVD-VIDEO Disc 5" (12cm) single-sided, single-layer 5" (12cm) single-sided, double-layer
	: 2) Compact Disc (CD-DA) 5" (12cm) disc
<b>Audio output level</b>	: 600Ω (2ch 1.6Vms)
<b>Audio signal output Characteristics</b>	:
	: 1) Frequency Response 20Hz-20KHz
	: 2) S/N Ratio 80dB (JIS)
	: 3) Wow and Flutter Below measurable limits
	: 4) Weight (approx) 1.4kg
	: 5) Dimension (approx) 178×170×50(mm) (D/W/H)
	: 6) Mounting (approx) 295x235x95(mm) (D/W/H)

### NOTE:

Specifications and design are subjected to modification without notice, due to improvements in technology.

## REQUIREMENTS

- 1) Do not use and store the loader in dusty, high temperature and high humidity environments.
- 2) Do ground all equipments and works in order to avoid causing damage o the loader by electrostatic discharges.
- 3) The user who handles this product takes all necessary precautions to avoid ESD (Electro-Static Discharge) failures.
- 4) Do not touch assembled PCB with hand directly, avoid fingerprints or stains remains on the PCB and handle the loader in a clean environment
- 5) Do not shock loader during handing and manufacturing
- 6) Do not use loader immediately when you bring it from cold to warm place. Great change of temperature may cause moisture condensing on the pickup lens which influences the readability for certain time. Please make the loader stable at least 2 hours before operating under such a condition.
- 7) Do not disassemble the loader to avoid ESD failures and to prevent from contamination.

### REPLACE THE FUSE

Make sure the amperage match the specified when replacing the fuses. If the fuse is broken, check the power connection and replace a new one. If the same problem occurs, it would be subjected to the malfunction in-house. In such cases, please consult the nearest service dealer.

**▲ Warning**  
Never use the fuse with the rated amperage more than that supplied to your unit, otherwise it will damage the unit

# TROUBLE SHOOTING

<u>SYMPTOM</u>	<u>CAUSE/SOLUTION</u>
No sounds.	Cancel the mute function. Adjust the volume.
The memory contents are vanished.	Disconnect the power wire or battery. Press RESET button.
Do not play.	The disc is dirty or damaged.
The disc is out automatically.	The temperature is out of operating temperature
The disc can not go out.	Push the disc while pressing EJECT button. A disc is loaded in the mechanism. Press RESET button.
Function button is unworkable.	Press RESET button.
There's audio skipping.	The disc is dirty or damaged.
No picture.	Open TV. Choose video input on the TV to Receive the picture from the unit.
Picture stops (pauses).	The disc is dirty or damaged. Color system setup is incorrect, Adjust to be PAL or NTSC according to the TV

## NOTE:

If any of problem persists after checking the above list. Please consult your nearest service dealer. Never attempt to disassemble the unit personally.