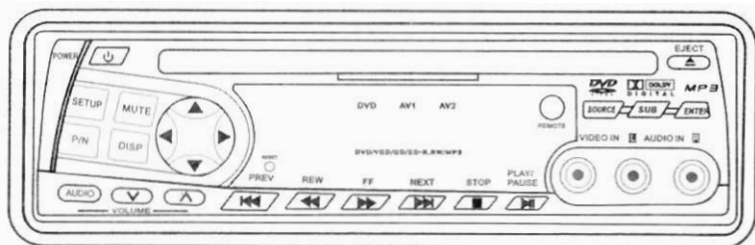
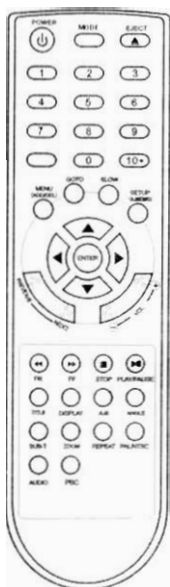


# VDVD-160

## OWNER'S MANUAL

### Mobile Video System



**DVD**  
VIDEO



VIDEO CD

COMPACT  
**disc**  
DIGITAL VIDEO

COMPACT  
**disc**  
DIGITAL AUDIO

COMPACT  
**disc**  
DIGITAL AUDIO  
**MP3**

# OPERATIONAL MANUAL

## Precaution

Please read the entire manual before operating this unit and keep it for future reference.

**WARNING:** To reduce the risk of fire or electric shock, do not expose this player to rain or moisture. Do not place any metal or liquid on this unit to avoid the risk of fire or electric shock.

**CAUTION:** This DVD player is a class 1 laser product. To prevent direct exposure to laser system, do not open the set. The laser beam may hurt your eyes. If the unit requires adjustments, contact an authorized service centre. To ensure proper use of this product,

## USE THIS PRODUCT SAFELY

Be sure to read and fully understand the following safety information:

### When driving

Keep the volume level low enough to be aware of road and traffic condition.

### When car washing

Do not expose the product to water or excessive moisture which could cause electric shock, fire or other hazards.

### When parked

Parking in direct sunlight will produce very high temperature inside your vehicle. Give the interior a chance to cool down before playing.

### Use the proper supply

This product is designed to operate with a 12 V DC, negative ground operation.

# OPERATIONAL MANUAL

## FEATURES

Din-Size

DVD/VCD/CD/CD-R/CD-RW/MP3 Compatible

Full Function Remote Control

Wireless Remote Control

Extra Remote Eye

Last Position Memory

On Screen Display

Front Panel A/V RCA Input

Dolby Pro-logic/DTS Compatible

Digital Anti-Shock

NTSC/PAL Switchable

Video Output×2

A/V Input×2

This manual describes high performance DVD Player. The set can play DVD/VCD/CD/CD-R/CD-RW/MP3. It can be used as car DVD player or portable DVD player. There are two exit-inputs with AV single, which support PAL and NTSC system, provide 2 channel CVBS outputs, built in Dolby digital and DTS decoder and provide 2 channel audio outputs.

## NOTE:

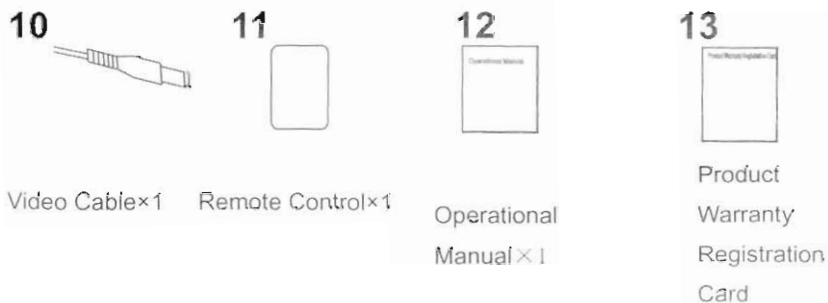
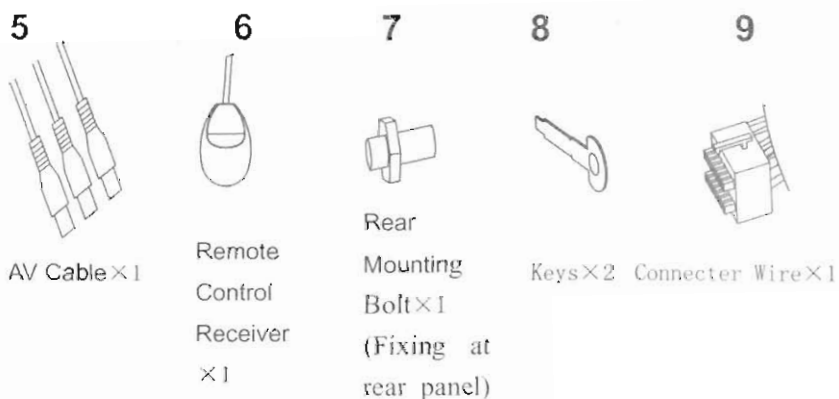
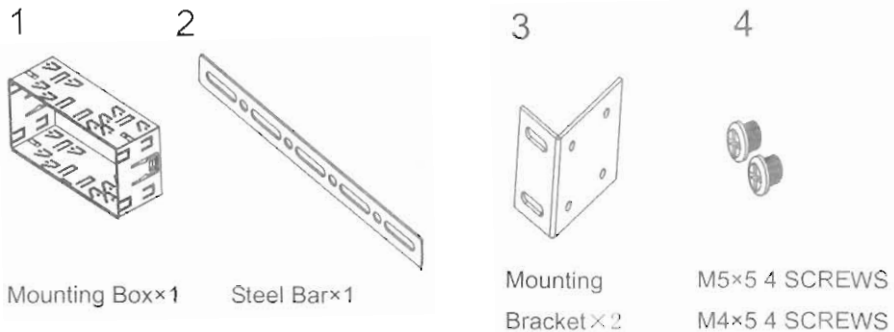
This user's manual only for reference.

Modifying rights are reserved.

Modifications are subject to change without notice.

# OPERATIONAL MANUAL

## ACCESSORIES



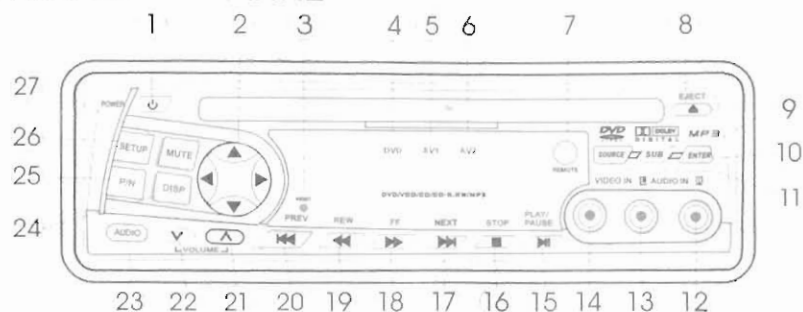
# OPERATIONAL MANUAL

## CONTENTS

Precautions.....	1
Features.....	2
Accessories .....	3
Contents.....	4
The Front Panel and Rear Panel.....	5
Remote Control.....	6
Batteries Replacement .....	7
Installation and Detachment .....	8
Wire Connection .....	11
Disc Notes .....	12
Basic Operations .....	14
Setup of Functions.....	16
Specification.....	23
General requirements .....	24
Trouble shooting .....	25

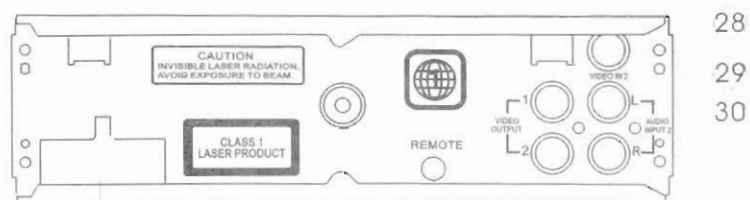
# OPERATIONAL MANUAL

## THE FRONT PANEL



- |                                  |                   |                 |
|----------------------------------|-------------------|-----------------|
| 1 POWER                          | 10 ENTER          | 19 FAST REVERSE |
| 2 DIRECTION BUTTON               | 11 SOURCE         | 20 PREVIOUS     |
| 3 RESET                          | 12 AUDIO IN 1 RCH | 21 VOLUME+      |
| 4 INDICATOR LIGHT FOR DVD        | 13 AUDIO IN 1 LCH | 22 VOLUME-      |
| 5 INDICATOR LIGHT FOR AV INPUT 1 | 14 VIDEO IN 1     | 23 AUDIO        |
| 6 INDICATOR LIGHT FOR AV INPUT 2 | 15 PLAY/PAUSE     | 24 DISPLAY      |
| 7 IR                             | 16 STOP           | 25 PAL/NTSC     |
| 8 EJECT                          | 17 NEXT           | 26 SETUP        |
| 9 SUBTITLE                       | 18 FAST FORWARD   | 27 MUTE         |

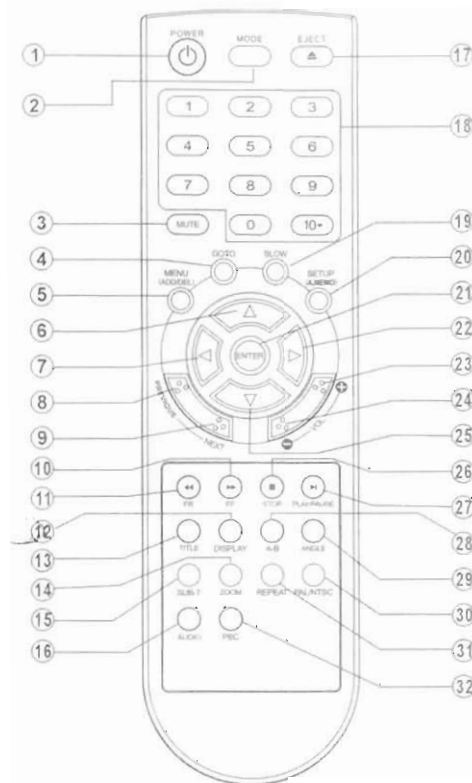
## The Rear Panel



- |                    |                        |
|--------------------|------------------------|
| 28 VIDEO INPUT 2   | 32 VIDEO OUTPUT 2      |
| 29 VIDEO OUTPUT 1  | 33 EXTRA REMOTE SOCKET |
| 30 AUDIO INPUT 2 L | 34 14 PIN SOCKET       |
| 31 AUDIO INPUT 2 R |                        |

# OPERATIONAL MANUAL

## REMOTE CONTROL



- |            |                   |               |
|------------|-------------------|---------------|
| 1 POWER    | 12 DISPLAY        | 23 VOLUME+    |
| 2 MODE     | 13 TITLE          | 24 VOLUME-    |
| 3 MUTE     | 14 ZOOM           | 25 DOWN       |
| 4 GOTO     | 15 SUBTITLE       | 26 STOP       |
| 5 MENU     | 16 AUDIO          | 27 PLAY/PAUSE |
| 6 UP       | 17 EJECT          | 28 A-B        |
| 7 LEFT     | 18 NUMBER BUTTONS | 29 ANGLE      |
| 8 PREVIOUS | 19 SLOW           | 30 PAL/NTSC   |
| 9 NEXT     | 20 SETUP          | 31 REPEAT     |
| 10 FF      | 21 ENTER          | 32 PBC        |
| 11 FR      | 22 RIGHT          |               |

# OPERATIONAL MANUAL

## Batteries Replacement

If the range of the operation of the car remote control becomes short or no function while operating, replace the batteries with a new button cell. Make sure the batteries polarity before replace.

1. Gently pull out the batteries holder while pressing the stopper ①.
2. Put the button-type batteries with make (+) upward into the batteries holder.
3. Insert the batteries holder into the remote control.



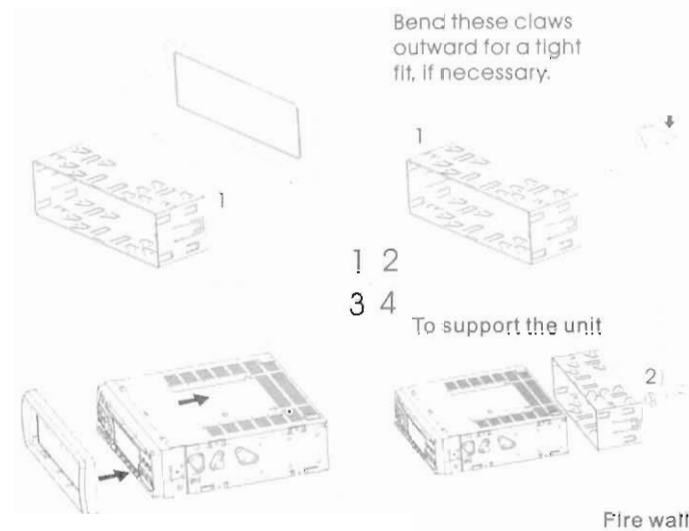
### Warning

Improperly handle the batteries may result in hazardous explosion. It cannot be charged, disassembled or thrown into fire.

# OPERATIONAL MANUAL

## INSTALLATION AND DETACHMENT

### Installation Method 1: Din Front-Mount



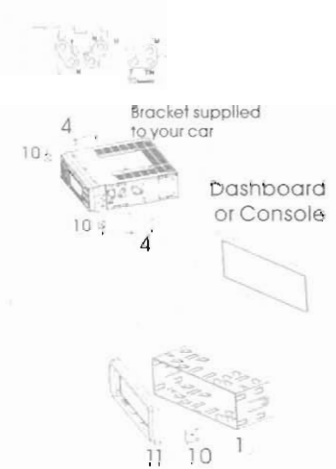
### Installation Method 2:

Install the screw holes at the sides of the unit.

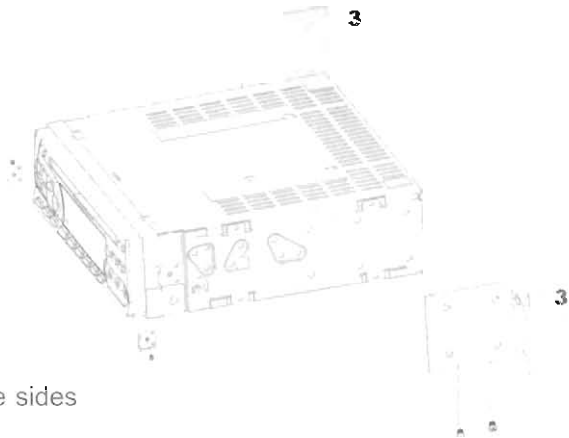
1. Remove the hooks on both sides.
2. Select a position where the screw holes of the mounting bracket supply with the car and the screw holes of the main unit become aligned (are fitted), tighten the screws (see ① at 2 places) on each side, and fasten them to car.

#### NOTE:

① ⑩ ⑪ are not used for installation method 2.



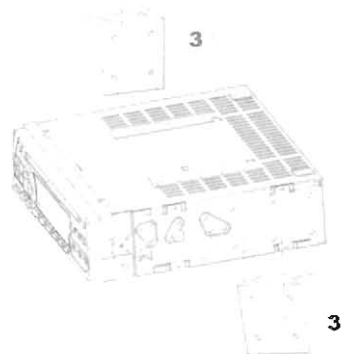
# OPERATIONAL MANUAL



## Installation Method 3:

Install the screw holes at the sides of the unit.

1. Remove the hooks on both sides.
2. Select a position where the screw holes of the main unit become aligned, tighten the screws (see ③ at 2 places) on each side, and fasten them to car.



## Installation Method 4:

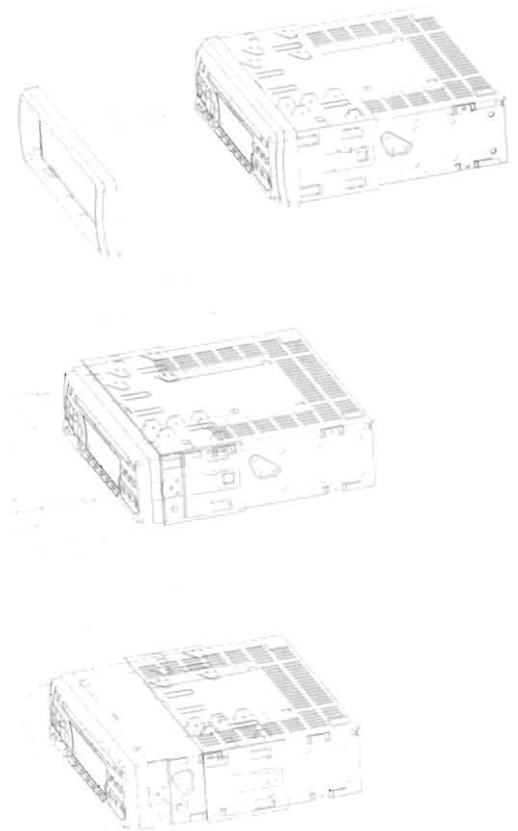
Install the screw holes at the sides of the unit.

1. Remove the hooks on both sides.
2. Select a position where the screw holes of the main unit become aligned, tighten the screws (see ③ at 2 places) on each side. Then fasten them to car.

# OPERATIONAL MANUAL

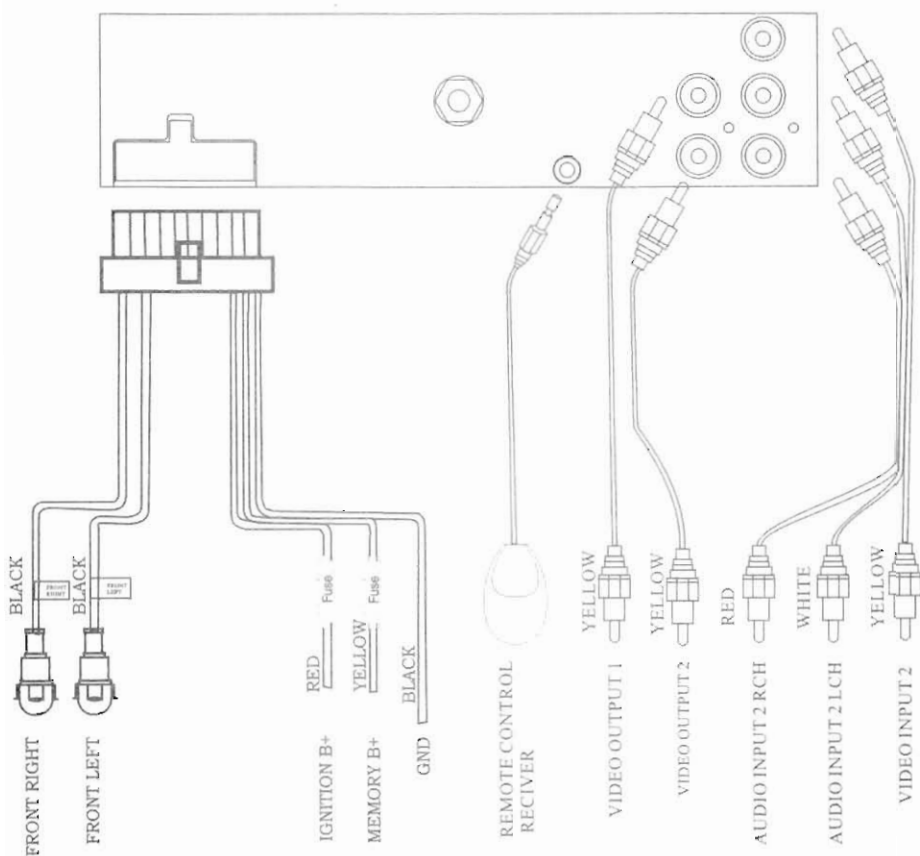
## Detach the Unit

1. Detach the front panel.
2. Insert the key that supply to the unit at both sides of the unit (shown as illustrated) until pull the key out to make it possible to remove the unit from the dashboard.



# OPERATIONAL MANUAL

## WIRE CONNECTION



### NOTE:

1. If you want to control the set in another place, you can insert the remote control receiver in the rear panel.
2. You can input external AV signal through connecting AV input 1 (Front Panel).
3. You can connect 2 monitors with video output 1 and video output 2.
4. If you directly connect Audio Output (FRONT LEFT, FRONT RIGHT) to TV, SETTING Down mix MENU as STEREO.

# OPERATIONAL MANUAL

## DISC NOTES

- Disc formats supported by this player



(Only 12cm disc)

- Handling and Cleaning

- Dirty, dusty, scratched and warped discs will unworkable.
- Do not place stickers or make scratches on discs
- Do not warp discs.
- A disc should always be kept in its case to prevent from damage while nonuse.
- Do not place discs in the following places:
  1. Direct sunlight.
  2. Dirty, dusty and damp areas.
  3. Near car heaters.
  4. On the seats or dashboard.

### Disc Cleaning

Use a dry soft cloth to wipe the surface. If the disc is quite dirty, use soft cloth slightly moist with isopropyl (rubbing) alcohol. Never use solvents such as benzene, thinner or conventional record cleaners which may mar the surface of the disc.

### Note:

A disc may become somewhat scratched (although not enough to make it unusable) depending on your handling in the usage environment. These scratches are not an indication of any problem with the player.

# OPERATIONAL MANUAL



Do not touch  
the underside  
of the disc



## Repairing New Discs with Rough Spots

A new disc may have rough edges on its inside and outside edges. If a disc with rough edges is used, the proper setting will not be performed and the player will not play the disc. Therefore, remove the rough edges in advance by using a ballpoint pen or pencil.

To remove the rough edges, press the side of the pen or pencil against the inside and outside edges of the disc.

# OPERATIONAL MANUAL

## BASIC OPERATIONS

### PREPARATION

If you want to play a disc, firstly you should push POWER button to turn on the set and confirm DVD LED on. Place the disc into the set and start to play. If you want to use external input, firstly you should push POWER button to turn on the set and push SOURCE button to select external input 1 or external input 2. You can confirm it through seeing the LED on panel. Then you should connect signal cable. The function is to let signal through without control.

### MODE

Press this button to select the display mode: DVD/external input 1/external 2.

### PLAY/PAUSE

Press the button to play a disc or to make the disc pause.

### EJECT

Press this button to open or close a disc.

### STOP

During playing, press the button one time, the DVD player memorizes the location where you stopped (press PLAY button to resume playing from the memorized point); Press the button again to stop playing (press PLAY button to start playing from the beginning of the disc.)

When playing other disc, press the button to stop playback (press PLAY button to start playing from the beginning of the disc).

### NUMBER BUTTON

Push the buttons to play your favorite track. If the track is from 1 to 9, you can directly press the number button. If the track number is 10 and over, you should use button 10+ and the other number buttons together to select the track.

### DIRECTION BUTTON AND ENTER BUTTON

Press the DIRECTION button to move the cursor to the select item, and then press the ENTER button to confirm it.

### FF/FR

Press the button to select fast/reverse forward and speed.

### ZOOM

Press the zoom button during normal playback to zoom a picture, Press this button repeatedly to change the magnification levels.

### REPEAT

When playing DVD disc, press the button to repeat the title or chapter. When playing VCD or CD disc, press the button to repeat one track. When playing MP3, press the button to repeat folder, all discs or a song.

### A/B

Press the button to set up the repeat playing between A and B



# OPERATIONAL MANUAL

tracks. Press once to set up the A track, press twice to set up the B track, then the disc will be playing between A and B tracks.

## **GOTO**

When playing VCD disc or CD disc, press the button to select play according to time.

When playing DVD disc, press the button to select play according to title or chapter.

## **AUDIO**

During playing a DVD disc, press the button to select audio type. During playing other disc, press the button to select audio channel.

## **PAL/NTSC**

Press the button to select video output (PAL/NTSC).

## **DISPLAY**

Press this button to display the current playback information on the screen.

## **VOL+/VOL-**

Press the button to adjust sound volume.

## **MUTE**

Press this button to mute sound.

## **SETUP**

Press this button to enter setup menu.

## **PREVIOUS/NEXT**

When playing a DVD disc, press PREVIOUS to select the previous chapter. Press NEXT to select the next chapter.

When playing a MP3 disc, press PREVIOUS to select the previous

song, press NEXT to select the next song.

When playing CD or VCD disc, press PREVIOUS to select the previous track, press NEXT to select the next track.

## **TITLE**

For DVD discs, press this button to enter the title menu, press the DIRECTION buttons and PLAY button to select and play (only if supported by the discs.)

## **PBC**

Press this button to return boot menu during playing VCD disc.

## **MENU/ADD DEL**

Press this button to return boot menu during playing DVD disc.

Use this function to delete or memorize the channel you want.

Select a channel which you want by pressing the number button and add or erase the channel by pressing the ADD/DEL button.

## **SUBTITLE**

For DVD disc, press this button to select subtitle.

## **RESET**

Press this button to reset the set system. If you want to use the set, you should press POWER button again.

## **ANGLE**

This button is to allow the user to select from different filming angles stored on the DVD media during playback.

# OPERATIONAL MANUAL

## SETUP OF FUNCTION

### 1. DVD PLAYER SYSTEM DESCRIPTION

#### SETUP MENU DESCRIPTION

This menu can be used to choose audio language, subtitle language, OSD language and DVD menu language. You need to set up these items when you begin to play a DVD disc. When you start to play a DVD disc, the DVD player will automatically choose default language if the DVD player contains this language already.

- You can press SETUP button on the remote control to bring this setup menu.
- Use UP/DOWN arrow buttons to select the item that you want to change.
- Use LEFT/RIGHT arrow buttons to change your setting.
- Use UP/DOWN arrow buttons to exit the item you want.
- Use UP/DOWN arrow button to page icon and highlight it. Use LEFT/RIGHT arrow buttons to change setup menu page.
- After finishing your setting, you can choose SETUP to exit and save these modifications into memory.

#### SYSTEM MENU

##### OSD LANGUAGE

This item is used to select OSD (On-screen Display) language. It includes:

- English

##### SCREEN SAVER

This item is used to open/close SCREEN Saver.

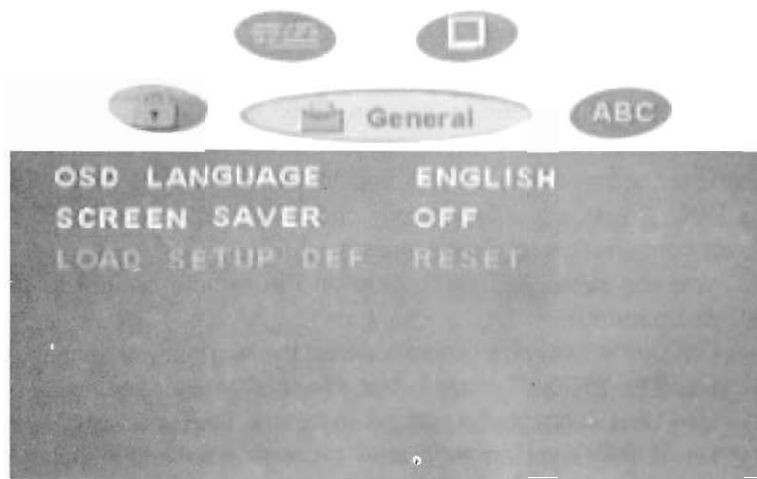
- Open: Screen Saver will automatically be executed if the screen keeps quiet for whole fifteen minutes.
- Close: Screen Saver would not be executed in any situation.

##### LOAD DEFAULT

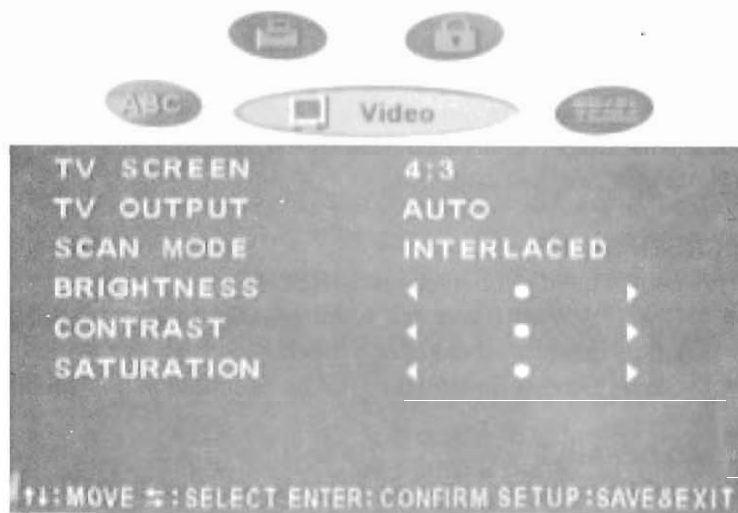
This item is used to restore all menus as manufacture's defaults, except the item related to Parent Control Sub-item.

- RESET

# OPERATIONAL MANUAL



(SYSTEM MENU)



(VIDEO SETUP MENU)

# OPERATIONAL MANUAL

## VIDEO SETUP MENU

### TV SCREEN

Which picture format appears on your TV depends on the kind of TV you have and the picture mode you TV set to:

- 4:3: LETTER BOX refers to pictures where black bands appear at the top and bottom.
- 16:9: WIDE SCREEN for wide screen TV(Full Mode)

### TV OUTPUT

This item is used to select a TV Signal system to match you TV set. It includes:

- AUTO
- NTSC
- PAL

### BRIGHTNESS

This item is used to adjust the BRIGHTNESS to your screen

- Press ENTER button to enter this item
- Press LEFT/RIGHT arrow buttons to adjust brightness
- Press UP/DOWN arrow buttons to exit

### CONTRAST

This item is used to adjust the CONTRAST to your screen

- Press ENTER button to enter this item
- Press LEFT/RIGHT arrow buttons to adjust contrast
- Press UP/DOWN arrow buttons to exit

### SATURATION

This item is used to adjust the SATURATION to your screen.

- Press ENTER button to enter this item
- Press LEFT/RIGHT arrow buttons to adjust saturation
- Press UP/DOWN arrow buttons to exit

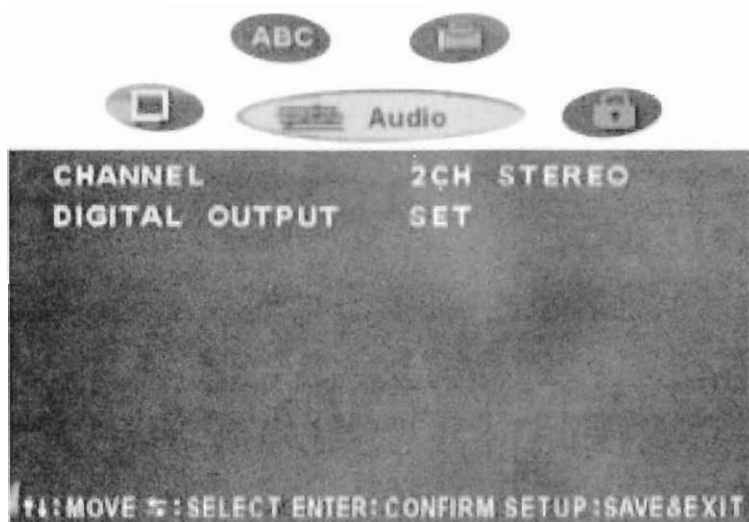
### SCAN MODE

- INTERLACED(Interlaced scanning)

The default setting of the DVD player is INTERLACED (Interlaced Scanning)

# OPERATIONAL MANUAL

## AUDIO SETUP MENU



(AUDIO SETUP MENU)

### CHANNEL

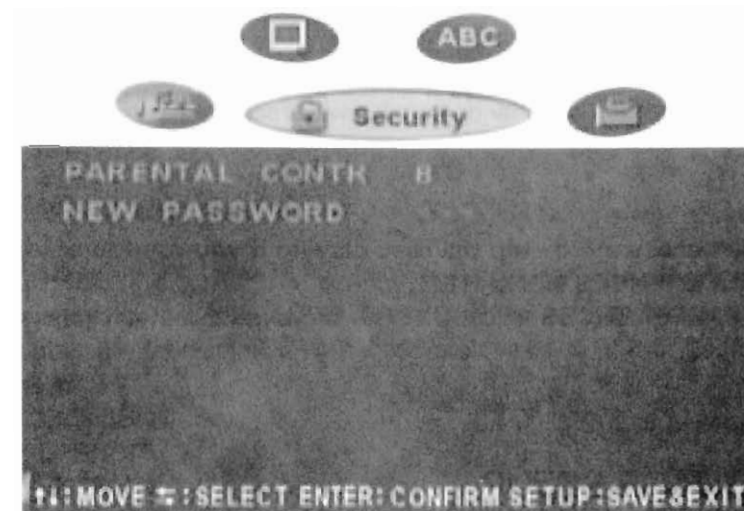
- **2CH STEREO:** Select stereo
- **2CH LT/RT:** Select left and right channel

### DIGITAL OUTPUT

- **SET:** Each DVD disc has its own Audio Output options. You can set up the DVD's Digital Audio Output according to your speaker system. This item contains:
  - **DOLBY:** Select LPCM and BITSTREAM output and OFF.
  - **DTS:** Select LPCM and BITSTREAM OUTPUT and OFF.
  - **MPEG:** Select LPCM and BITSTREAM output and OFF.
  - **PCM:** Select LPCM 48KHZ and LPCM 96KHZ output.
  - **DIGITAL OUTPUT:** Turn digital output ON and OFF.
  - **HDCD UPSAMPLE:** Turn HDCD up sample ON and OFF.
- **BACK:** Back to AUDIO SETUP MENU.

# OPERATIONAL MANUAL

## SECURITY SETUP



(SECURITY SETUP MENU)

### PARENTAL CONTROL

The Parental Control is a rating system such as movie ratings. This helps you control the types of DVDs that your family watches. For example, you could edit out violent scenes that are unsuitable for children.

- Use UP/DOWN arrow buttons to select Password item, and enter a personal 4-digital right security code.
- Use UP/DOWN arrow buttons to select Parent Control, and Use LEFT/RIGHT arrow buttons to select the parental control level.
- Press UP/DOWN arrow buttons to exit.

You can not play DVD discs rated higher than level you selected unless you cancel the parental control function.

Note: This feature works with DVD discs that have been assigned a rating.

### CHANGING PARENTAL CONTROL PASSWORD

- Use UP/DOWN arrow buttons to select Password item.

# OPERATIONAL MANUAL

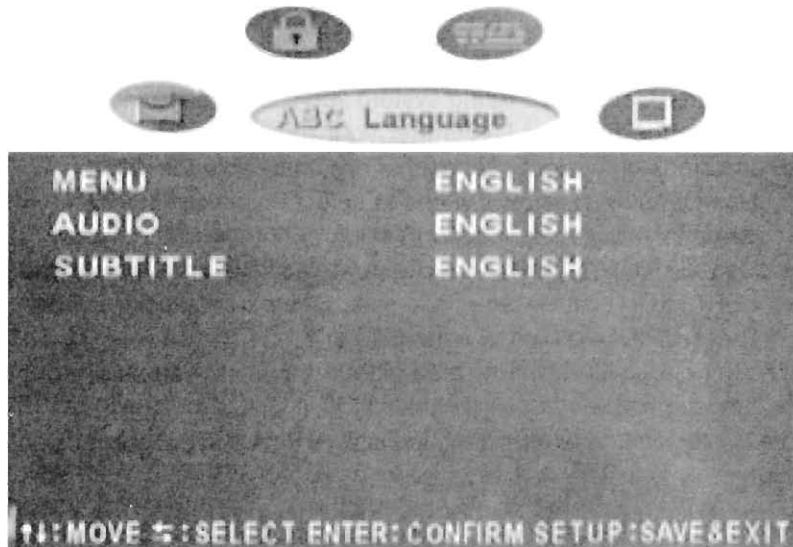
- Enter old 4-digital security code
- Then enter new 4-digital security code
- Re-enter to confirm you 4-digital security code.
- Press UP/DOWN arrow button to exit.

**Note:** New 4-digital security code will take effect after closing the Setup Menu.

## NOTE:

1. It is necessary to stop the disc playing if you want to enter the **PREFERENCES MENU ITEM**.
2. In **PREFERENCES MENUU ITEM**, the system default password is 0000.

## LANGUAGE SETUP



(LANGUAGE SETUP MENU)

# OPERATIONAL MANUAL

## AUDIO

When you begin to play a DVD disc, this player will automatically select its default audio language which you could choose among the following items.

- ENGLISH
- FRENCH
- RUSSIAN
- JAPANESE
- GERMAN

## SUBTITLE

When you begin to play a DVD disc, the default subtitle of this player will automatically be displayed which you could choose among the following items.

- ENGLISH
- FRENCH
- RUSSIAN
- JAPANESE
- GERMAN

## MENU

When you begin to play a DVD disc, this player will automatically select its default menu language which you could choose among the following items.

- ENGLISH
- RENCH
- RUSSIAN
- JAPANESE
- GERMAN

# OPERATIONAL MANUAL

## SPECIFICATIONS

### GENERAL

Supply Voltage	: 12V DC (11V-15V), negative ground
Current Consumption	: Less than 2A
Signal system	: Composite Video 1.0Vp-p 75 $\Omega$
Disc Compatible	: 1) DVD-VIDEO Disc 5" (12Cm) single-sided, single-layer 5" (12Cm) single-sided, double-layer 2) Compact Disc (CD-DA) 5" (12Cm) disc
Audio output level	: 600 $\Omega$ (2ch 1.6Vrms)
Audio signal output Characteristics	:
	1) Frequency Response 20Hz-20KHz
	2) S/N Ratio 80Db (JIS)
	3) Wow and Flutter Below measurable limits
	4) Weight (approx) 1.4kg
	5) Dimension (approx) 178×170×50mm
	6) Mounting (approx) 295×235×95mm

### NOTE:

Specifications and design are subject to modification without notice, due to improvements in technology.

# OPERATIONAL MANUAL

## GENERAL REQUIREMENTS

- 1) Do not use and store the loader in dusty, high temperature and high humidity environments.
- 2) Do ground all equipments and works in order to avoid causing damage o the loader by electrostatic discharges.
- 3) The user who handles this product takes all the necessary precautions to avoid ESD (Electro-Static Discharge) failures.
- 4) Do not touch assembled PCB with hand directly, and avoid fingerprints or stains remains on he PCB and handle the loader in a clean environment
- 5) Do not shock loader during handing and manufacturing
- 6) Do not use loader immediately when you bring it from cold to warm place. Great change of temperature may cause moisture condensing on the pickup lens, which influence the readability for certain time. Please make the loader stable at least 2 hours before operating under such a condition.
- 7) Do not disassemble the loader to avoid ESD failures and to prevent from contamination.

## REPLACE THE FUSE

Make sure the amperage match the specified when replacing the fuses. If the fuse is blown, check the power connection and replace a new one. Of the same problem occurs, it would be subjected to the malfunction in-house. In such cases, please consult the nearest service dealer.

### Warning

Never use the fuse with the rated amperage more than that supplied to your unit, otherwise it will damage the unit.

# OPERATIONAL MANUAL

## TROUBLE SHOOTING

SYMPTOM	CAUSE/SOLUTION
No sounds.	Cancel the mute function. Adjust the volume.
The memory contents are vanished.	Disconnect the power wire or battery. Press RESET button.
Do not play.	The disc is dirty or damaged.
The disc is out automatically.	The temperature is out of operating temperature
The disc can not go out.	Push the disc while pressing EJECT button. A disc is loaded in the mechanism. Press RESET button.
Function button is unworkable.	Press RESET button.
There's audio skipping.	The disc is dirty or damaged.
No picture.	Open TV. Choose video input on the TV to Receive the picture from the unit.
Picture stops (pauses).	The disc is dirty or damaged. Color system setup is incorrect, Adjust to be PAL or NTSC according to the TV

### NOTE:

If any of problem persists after checking the above list. Please consult your nearest service dealer. Never attempt to disassemble the unit personally.