

SOUNDSTREAM

VG.5C

VG.6C

**COMPONENT
SPEAKER SYSTEM
INSTALLATION MANUAL**

Thank you for purchasing the **SOUNDSTREAM** Van Gogh series component speaker system. This state of the art system has been engineered with the mobile in mind. The engineers at Soundstream highly recommend an authorized dealer to install this component system for optimal performance and an extended warranty period of 2 years.

If you choose to install this product yourself, please read this installation manual thoroughly before starting

Caution

- Before cutting any holes, make sure that there is proper clearance for the speaker structure and wiring to clear all objects that may impede the proper installation.
- Keep speaker magnets away from computer systems that are mounted throughout most vehicles.
- To prevent short-circuits and product damage, keep all wiring away from sharp edges and moving parts.

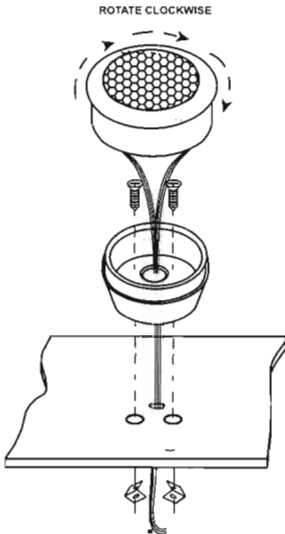
Tools required

These are the tools required to complete the basic installation of the **SOUNDSTREAM** Van Gogh series components. Additional tools are necessary for more custom work unit.

1. Electric drill with bit
2. Philips screwdriver
3. Flat blade screwdriver
4. Wire Strippers
5. Crimping tool
6. Saber saw, hole saw, or nibbler
7. Utility Knife
8. Silicon sealant or weather stripping(optional)
9. Electrical tape

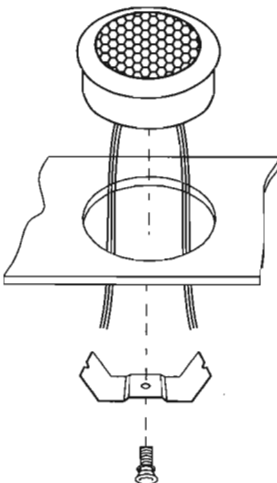
INSTALLATION OF TWEETER

Surface Mount



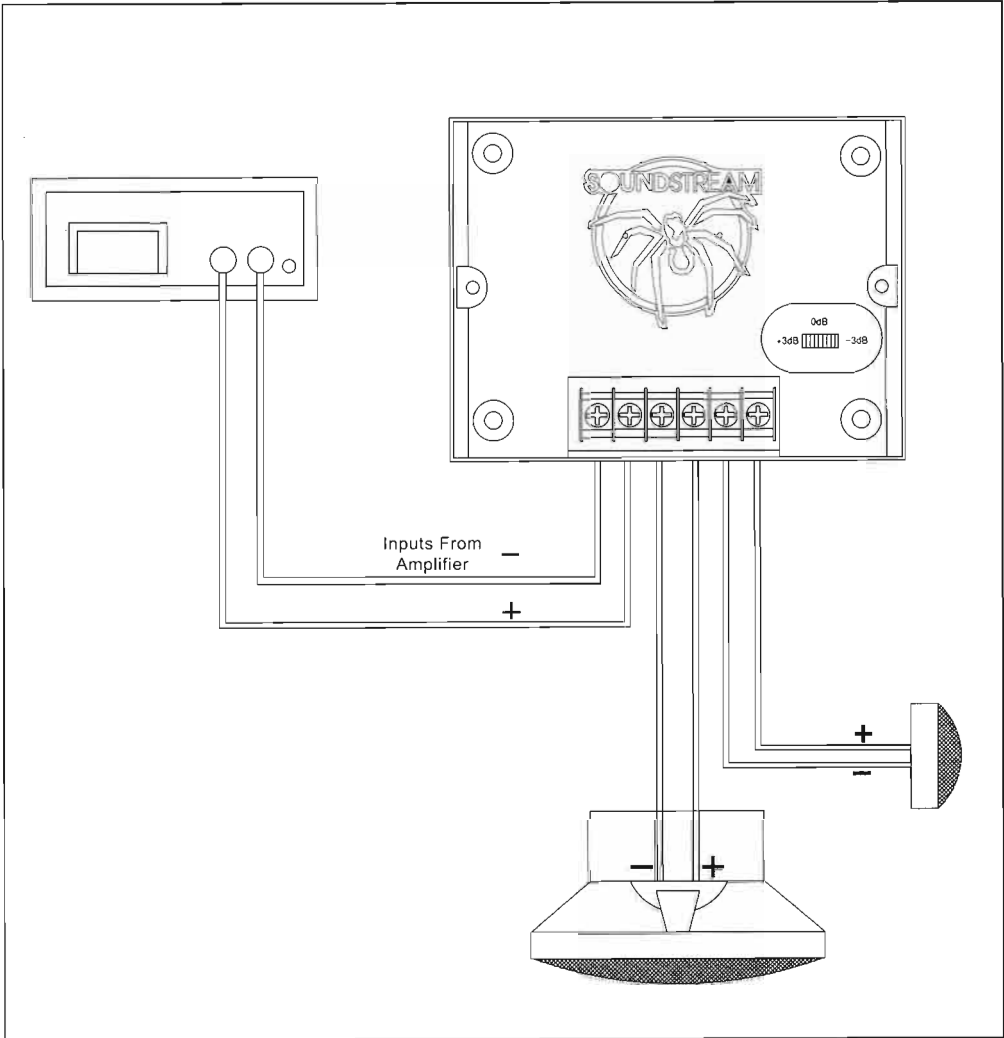
1. Choose a proper installation point for the tweeters. Be sure that you have enough clearance for the tweeter installation screw and that no other wires will get pinched behind this location by the tweeter mounting screw.
2. Assemble the tweeters as per the drawing to the left. Place the tweeter into the bracket and rotate it clock-wise until the tweeter locks into the bracket.

Flush Mount



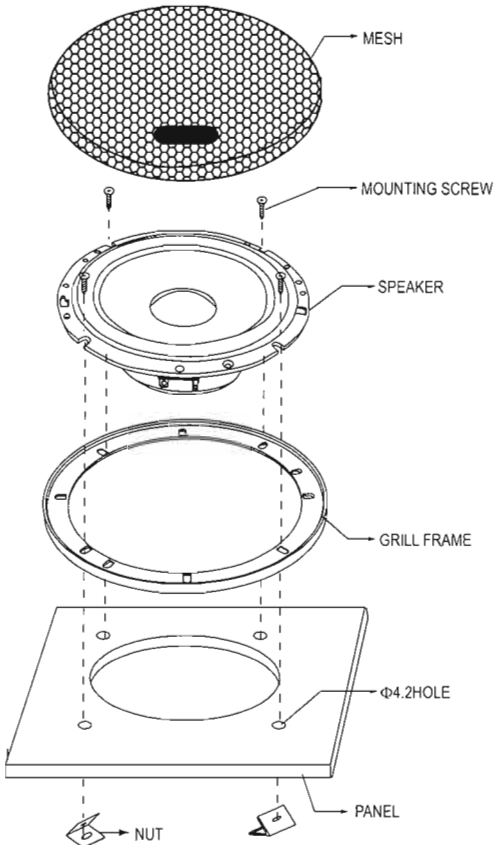
1. Choose a proper installation point for the tweeters.
2. Make a 51.5 mm diameter hole where you want to flush mount the tweeter
3. Before cutting the hole-be sure that you have enough clearance for the tweeter housing depth.
4. Assemble the tweeters as per the drawing to the left. **BE SURE TO CONNECT THE WIRES BEFORE PLACING THE TWEETER INTO THE FLUSH MOUNTING HOLE!**

WIRING INSTRUCTIONS



WOOFER INSTRUCTION

(VG.5C/VG.6C)



1. Using mounting template for the speakers, mark the correct mounting location with a pencil or pen.
2. Cut out the panel at this marking and drill 4 holes for the mounting bolts to pass through.
3. Separate the grill mesh from the grill frame.
4. Connect the wires coming from the crossover to the speaker. Be sure to match the polarity correctly.
5. Insert grill frame & speaker unit in the speaker mounting hole at the rear panel and attach the speaker with bolts & nuts provided.
6. Put the grill mesh back with the grill frame.