

OWNER'S MANUAL

Mobile Video System



TABLE OF CONTENTS

Safety Information	2
Features	3
Accessories.....	4
Front Panel	5
Rear Panel	5
Remote Control	6
Installation	8
Unit Removal	11
Wire Connection	12
Disc Notes	13
Disc Operations	14
Basic Operations	15
Touch Screen Operations.	17
Touch Screen Calibrate	17
Main Menu	18
Radio Operations	19
DVD Operations	22
USB Operations	25
TV Operations	26
iPod Operations	29
AV IN Operations	32
CDC Operations	32
System Setup	34
DVD Setup Menu.....	37
Specifications	40
Trouble Shooting	41

SAFETY INFORMATION

Please read the manual carefully before operating this unit and keep it for future reference.

CAUTION: This unit is a class 1 laser product. To prevent direct exposure to the laser system, do not open the unit. The laser beam may hurt your eyes. If the unit requires adjustments, contact an authorized service centre.

USE THIS PRODUCT SAFELY

Be sure you fully understand the following safety information:

When driving

Keep the unit at an appropriate sound level. Driving with the sound at a level preventing you from hearing sounds outside and around the car may cause an accident.

When cleaning

Do not expose the product to water or excessive moisture. This could cause short circuit, fire or other severe damage.

When parked

Parking in direct sunlight can result in very high temperature levels inside your car. Let the interior and unit cool down before switching the unit on.

NOTE:

Do not use and store the player in dusty, hot or humid environment.

FUSE REPLACEMENT – WARNING!



Never replace any fuse with one of a higher value than the fuse supplied with your unit. Using a higher current rated fuse may cause damage to your unit and/or electrical wiring.

FEATURES

- ISO/1-DIN Size
- DVD/DVD-R/DVD-RW/VCD/CD/CD-R/CD-RW/MP3 Compatible
- 5.3" Wide-Screen TFT/LCD Display
- High Brightness: 350 cd/m²
- Resolution: 1440 x 234
- Color, Contrast, Brightness, Tint controls
- Car DVD Slot-in Mechanism
- Digital & Mechanical Anti-Shock with ESP Memory
- Built-In Dolby Digital Decoder
- Built-In MP4 Decoder
- Last Position Memory
- OSD (On Screen Display)
- NTSC/PAL Compatible
- Full Function Remote Control
- IR Repeater
- AM/FM PLL Synthesizer Tuner with 30 Memory Presets
- Auto Store Pre-set Scan
- Preset EQ (POP CLASSIC ROCK JAZZ USER)
- Bass/Treble/Fader/Balance Controls
- Extending Amplifier Control
- Auto Antenna Control
- Telephone Mute Control
- Sanyo Compatible DVD/CD Changer Control
- Brake Reminder System
- Hi Power 50W x 4
- 4 RCA Audio Outputs
- 1 RCA Video Output
- 1 RCA Sub-Woofer Output
- 1 RCA Audio Video Input
- 1 RCA Rear View Camera Input
- Mini USB / SD Card
- Built-In TV Tuner
- iPod Input Connection (Cable not included)

NOTE:

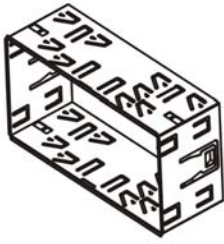
This user's manual is only for reference.

Modifying rights are reserved.

Specifications are subject to change without notice.

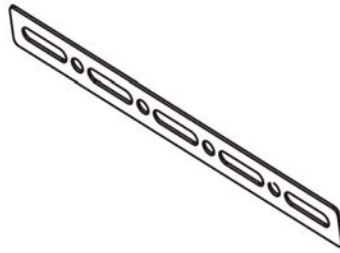
ACCESSORIES

1



Mounting Sleeve x 1

2



Back Strap x 1

3



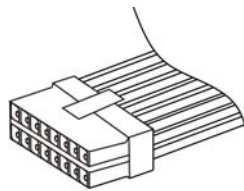
5X5 Screws x 4

4



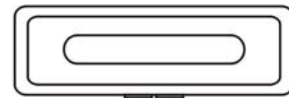
Keys x 2

5



Main Wire Harness x 1

6



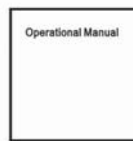
Faceplate Case x 1

7



Remote Control x 1

8



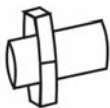
Operational Manual x 1

9



Trim Bezel x 1

10



Rear Mounting Bolt x 1

11



USB Cable x 1

12



iPod Cable x 1
(option)

FRONT PANEL

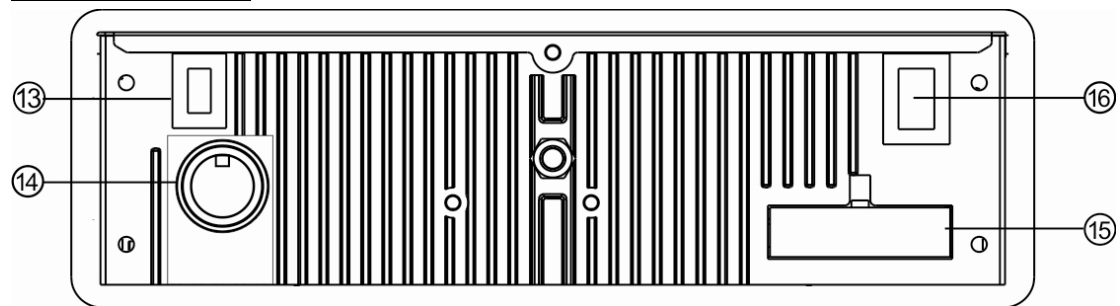


- 1. POWER / SOURCE
- 2. MUTE / LOUD
- 3. VOLUME +
- 4. VOLUME -
- 5. MENU

- 6. MINI USB
- 7. EJECT / P. ANGLE
- 8. BAND
- 9. REL
- 10. PLAY / PAUSE / AST

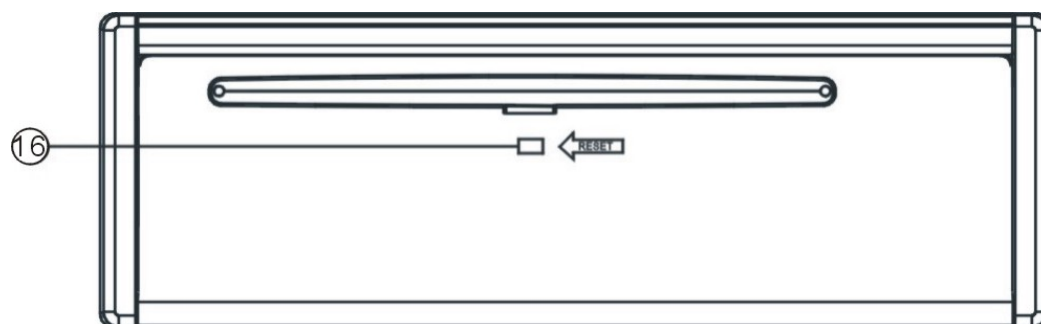
- 11. DISPLAY
- 12. REMOTE

REAR PANEL



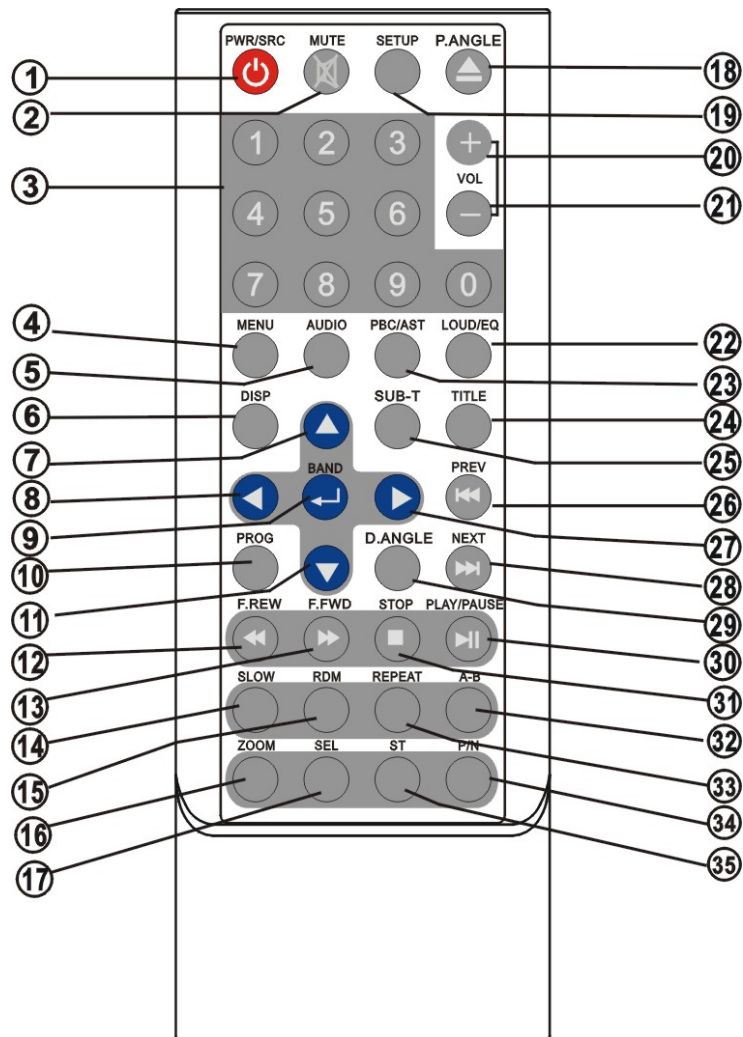
- 13. RADIO & TV ANTENNA, IPOD MINI DIN & IR REPEATER ADAPTER
- 14. DVD/CD Changer ADAPTER
- 15. 16PIN SOCKET
- 16. VIDEO AUDIO OUTPUT & INPUT

BASE PANEL



- 16. RESET

REMOTE CONTROL

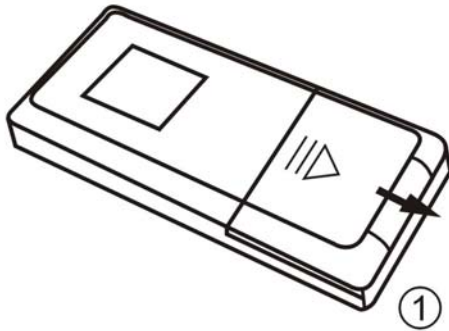


- | | | |
|---------------------|-------------------|--------------------|
| 1. POWER/SOURCE | 13. F.FWD | 25. SUBTITLE |
| 2. MUTE | 14. SLOW | 26. PREVIOUS |
| 3. NUMBER BUTTONS | 15. RANDOM | 27. RIGHT(Seek up) |
| 4. MENU | 16. ZOOM | 28. NEXT |
| 5. AUDIO | 17. SELECT | 29. D.ANGLE |
| 6. DISPLAY | 18. EJECT/P.ANGLE | 30. PLAY / PAUSE |
| 7. UP (Tune up) | 19. SETUP | 31. STOP |
| 8. LEFT (Seek Down) | 20. VOLUME+ | 32. A-B |
| 9. ENTER / BAND | 21. VOLUME- | 33. REPEAT |
| 10. PROGRAM | 22. LOUD / EQ | 34. PAL / NTSC |
| 11. DOWN(Tune Down) | 23. PBC / AST | 35. STEREO |
| 12. F.REW | 24. TITLE | |

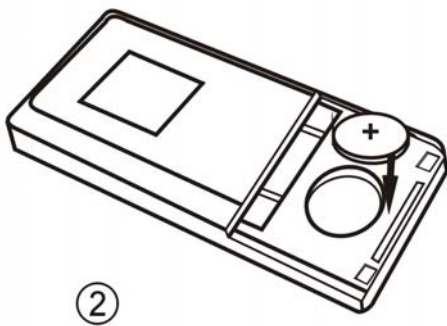
Replacing the Batteries

If the remote control has no function or if the operating range is reduced, replace the old battery with new one.

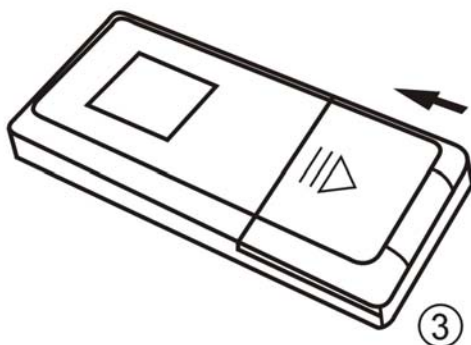
1. Remove the battery cover. Follow the arrow (1) slide the tab to the right while pulling the cover away at the same time.



2. Place the new battery in the tray and slide the cover back into place.



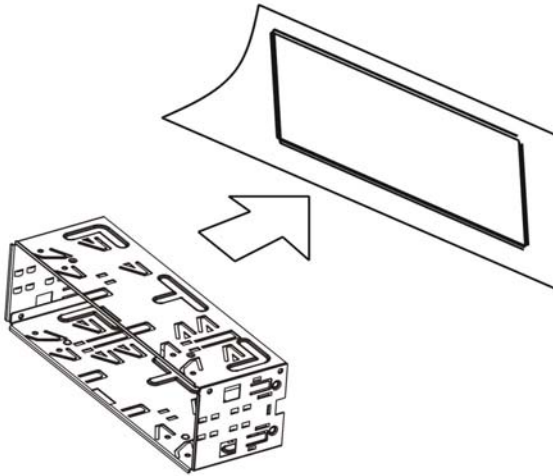
3. Make sure the cover is locked into place.



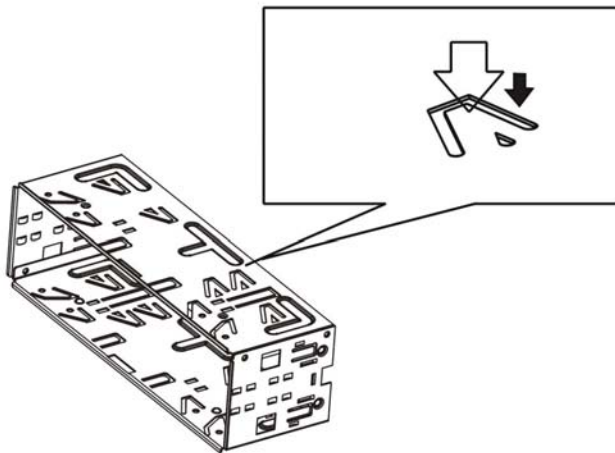
UNIT INSTALLATION

Installation Method 1: Din Front-Mount

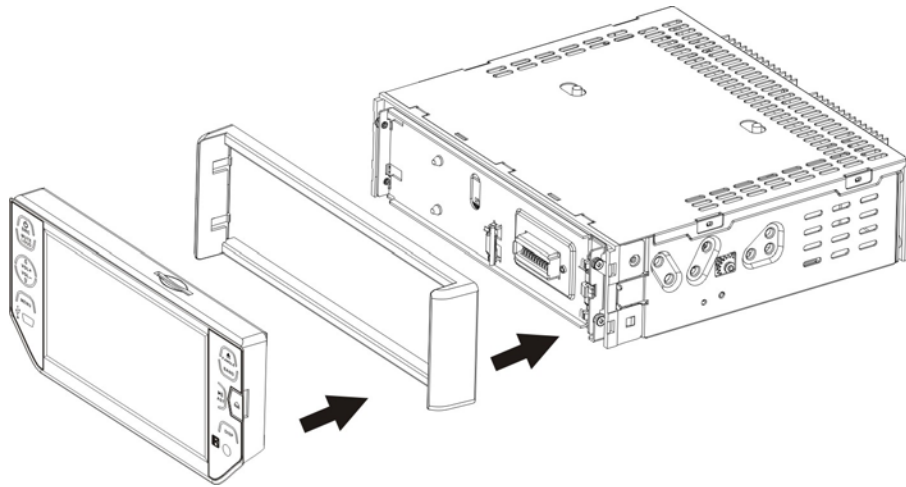
Install the Mounting sleeve into the dashboard.



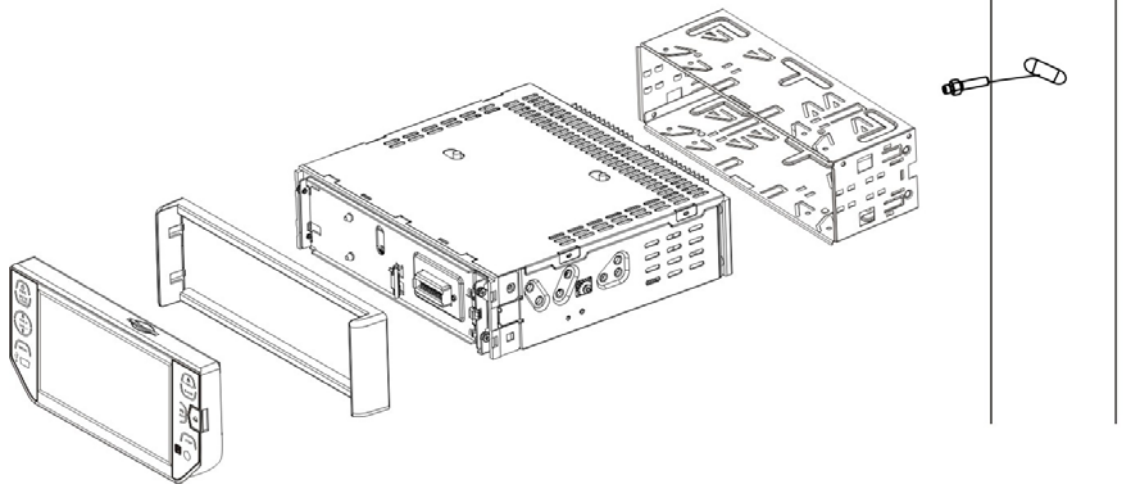
Bend as many claws outward for tight fit, to lock the sleeve into place.



Install the trim bezel to the unit. (Arched surface toward the bottom).



Use the Rear Mounting Bolt to support the unit.



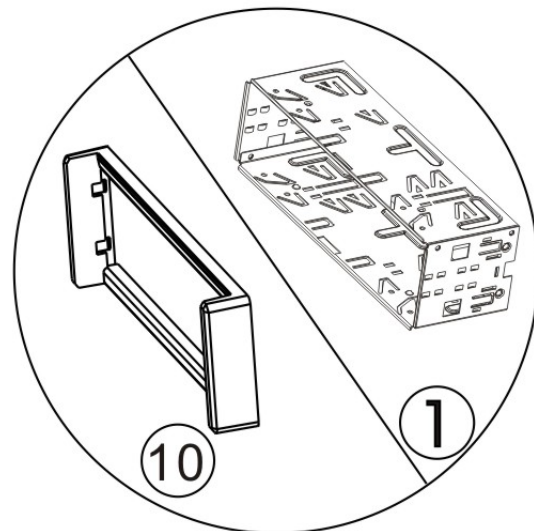
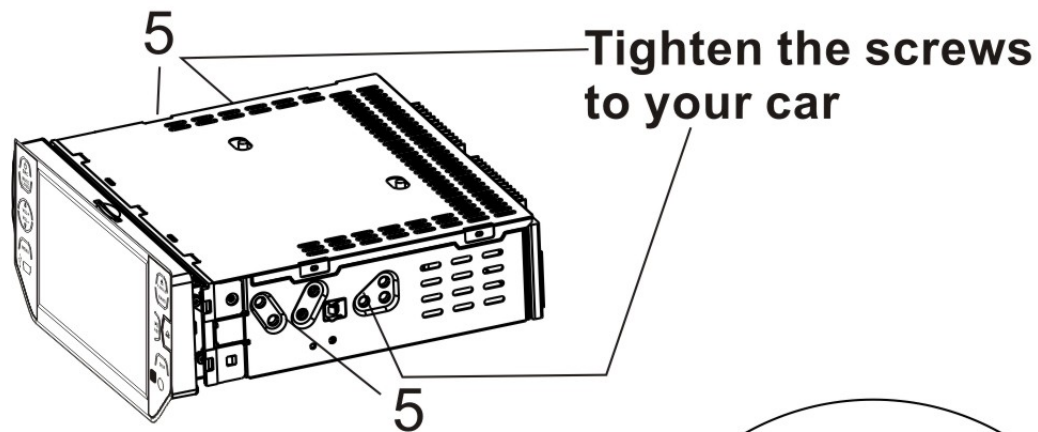
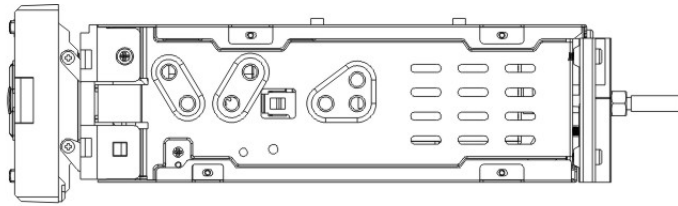
Installation Method 2:

Using the screw holes at the sides of the unit (ISO Mount).

1. Remove the hooks on both sides.
2. Select a position where the screw holes of the mounting bracket supplied with the car and the screw holes of the main unit become aligned, tighten the screws on each side, and re-mount the brackets with the factory hardware in the original location.

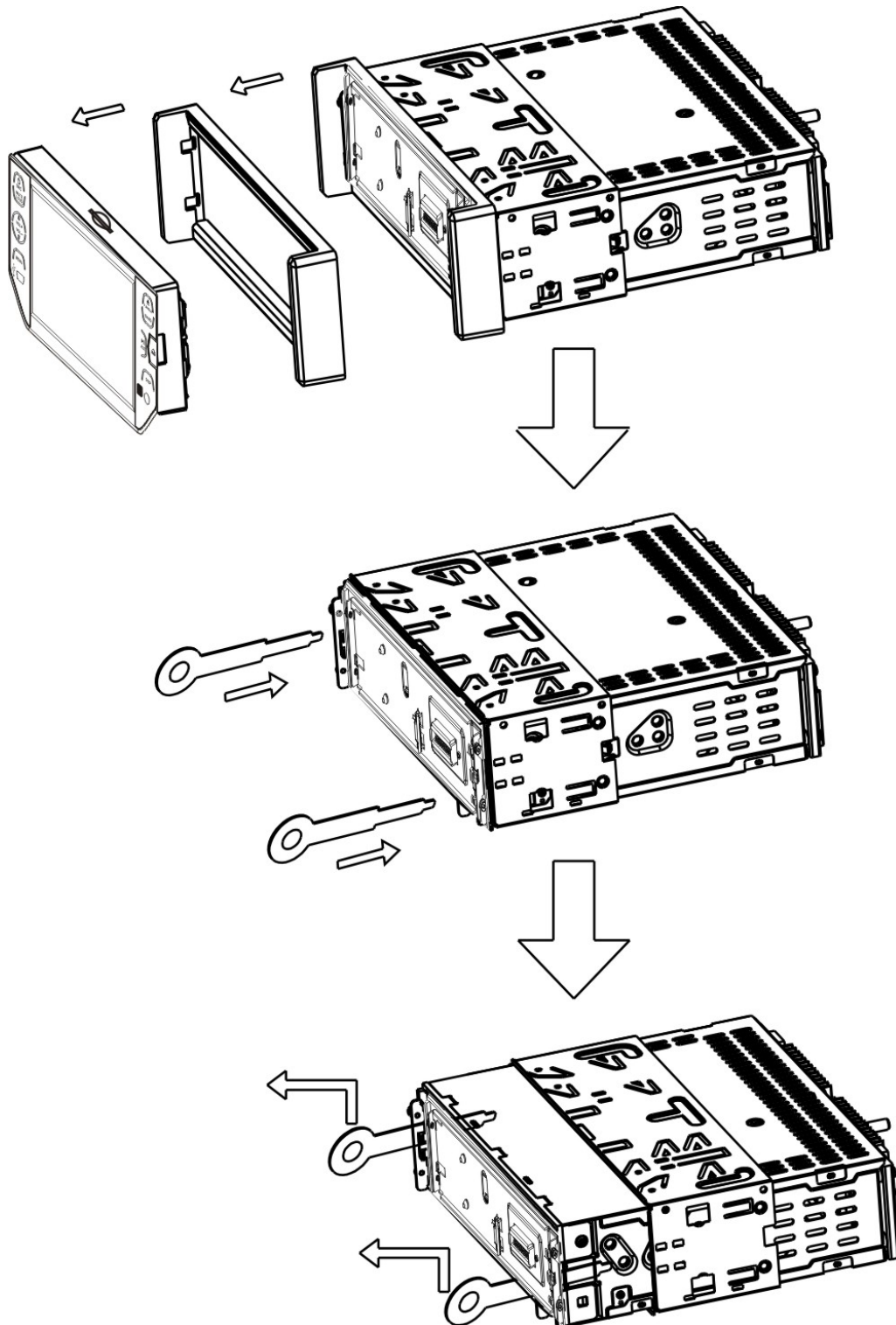
NOTE:

1 and 10 are not used for installation method2.

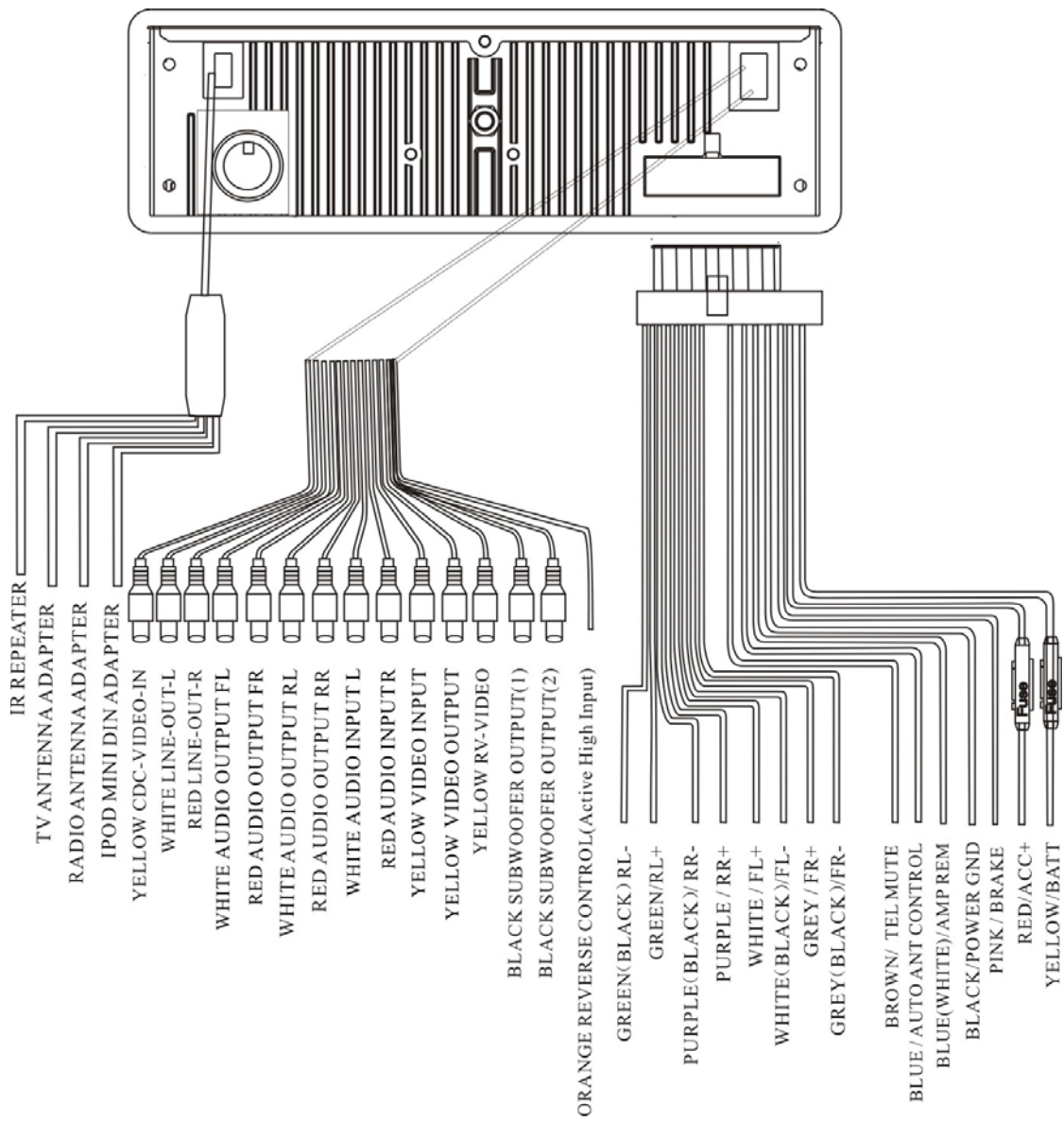


UNIT REMOVAL (when installed using the sleeve)

1. Detach the front panel.
2. Insert the keys supplied with the unit on both sides (as illustrated) as this will release the internal locks so you can slide the unit out.



WIRE CONNECTION



DISC NOTES

■ Disc formats supported by this player



Handling and cleaning

- Dirty, dusty, scratched or warped discs may not play properly.
- Do not place stickers or make scratches on discs
- Do not warp discs.
- Store discs in their cases when not in use.
- Do not place discs in the following places:
 1. Direct sunlight.
 2. Dirty, dusty and damp areas.
 3. High temperature places.
 4. On the sets or dashboard.

Disc Cleaning

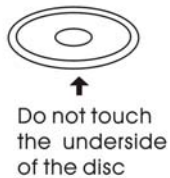
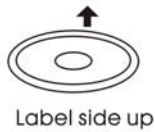
Use a dry soft cloth to wipe the surface. If the disc is quite dirty, use a soft cloth slightly moist with isopropyl (rubbing) alcohol.

Never use solvent such as benzene, thinner or conventional record cleaners which may mar the surface of the disc.

NOTE:

A disc may become somewhat scratched to a point which will skip excessively or not play at all in your player. Have the disc resurfaced or polished to reduce the issue or replace the disc with a new one.

DISC OPERATIONS



Repairing New Discs with Rough Spots

A new disc may have rough edges on its inside and outside edges. If a disc with rough edges is used, the proper setting will not be performed and the player will not play the disc. Therefore, remove the rough edges in advance by using a ballpoint pen or pencil. To remove the rough edges, press the side of the pen or pencil against the inside and outside edges of the disc.

BASIC OPERATIONS

Power

Press the [POWER/SOURCE] button to turn the unit ON;
Press and hold the button to turn the unit OFF.

Switching Sources

When the unit is turned ON, press the [POWER/SOURCE] button to toggle between the different modes as following:

RADIO – DVD – USB – TV – SD – IPOD – CDC – AV IN – RADIO

NOTE

*The unit could be switched to DVD Mode if disc inside;
The unit could be switched to USB Mode if Mini USB connected;
The unit could be switched to SD Mode if Mini SD card connected;
The unit could be switched to IPOD Mode if iPod connected;*

Volume Control

Press the [VOLUME +] button to increase the volume.
Press the [VOLUME -] button to decrease the volume.

Mute

Press the [MUTE/LOUD] button to switch off the sound; press it again to resume to the previous volume level.

Loud

Hold on pressing the [MUTE/LOUD] button or the [LOUD/EQ] button of remote control to switch the Loud settings as following:

400 HZ – 800 HZ – 2400 HZ – OFF – 400 HZ

EQ

The user can set to adjust the audio output to your preference. Press the [LOUD/EQ] button of remote control to switch the EQ settings as following:

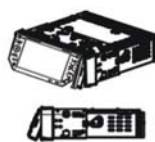
USER – POP – CLASSIC – ROCK – JAZZ – USER

TFT Viewing Angle Adjustment:

Press and hold the [P.ANGLE] button to adjust the angle of the face.
Angle 1- Angle 2- Angle 3- Angle 4- Angle 1



Angle 1



Angle 2



Angle 3



Angle 4

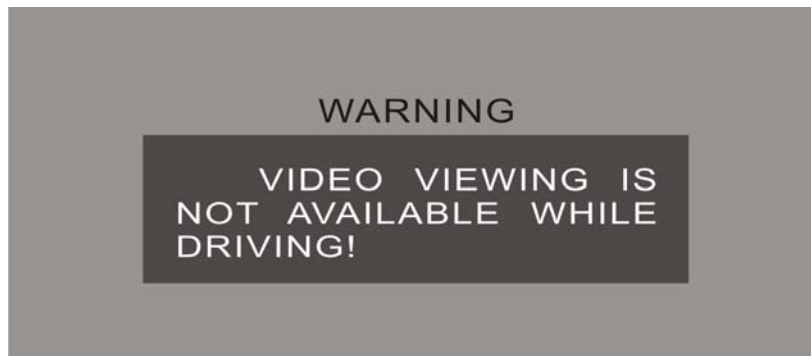
NOTE: you can also make the same adjustments with the remote control. Simply press and hold the [P.ANGLE] button to adjust according to your preference.

TFT Viewing Angle Calibrate

When "Power Off", press the buttons 1, 2, 3, [BAND/ENTER] of remote control;
Then the monitor should display 'TFT ANGLE CALIBRATE';
The motor and gear drives are now back to their factory positions.

Brake Control

It is necessary to connect the Brake Control wire to the Hand-brake switch of the car.
While driving, the TFT monitor will display the alarm picture (see as follows) in order to ensure the safety.



Under the Rear View Mode, the Brake Control function is no effective.

Telephone Mute Control

Connect the telephone mute control wire " TEL_MUTE " (see Wiring Diagram). If there is a vehicle call comes in, the sound volume will mute off automatically, and TFT monitor shows: " PHONE... "; When call finished, the sound volume will recover to former volume, and the words " PHONE... " disappear.

Auto Antenna Control

Connect the auto antenna control wire " AUTO_ANT " (see Wiring Diagram); The antenna will lift when the unit startup; it will descend when the unit turnoff.

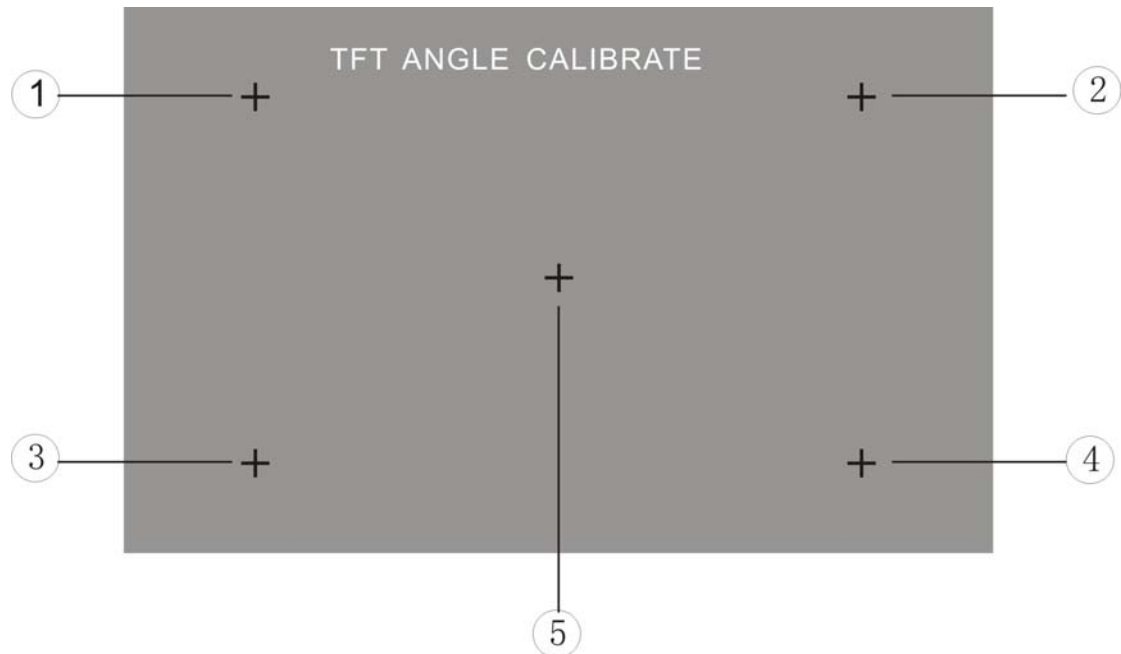
Reset

Press the [RESET] button to switch back to all the original factory settings.
Keep in mind this will erase all your preset radio stations and any EQ settings you may have made and saved.

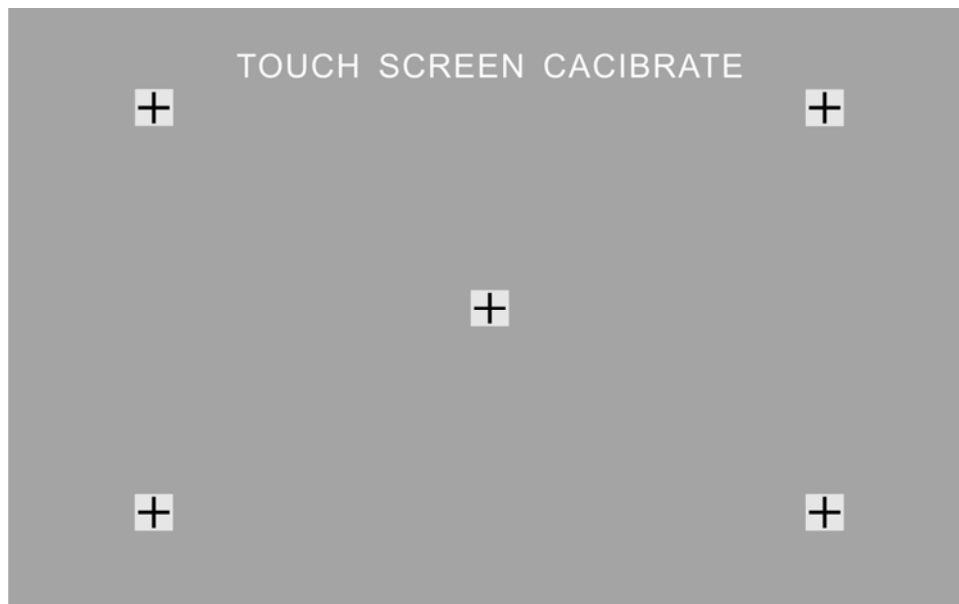
TOUCH SCREEN OPERATIONS

TOUCH SCREEN CALIBRATE

When "Power Off", press the buttons 1, 2, 3, 4, 5, [BAND] of remote control to enter the CALIBRATE page:



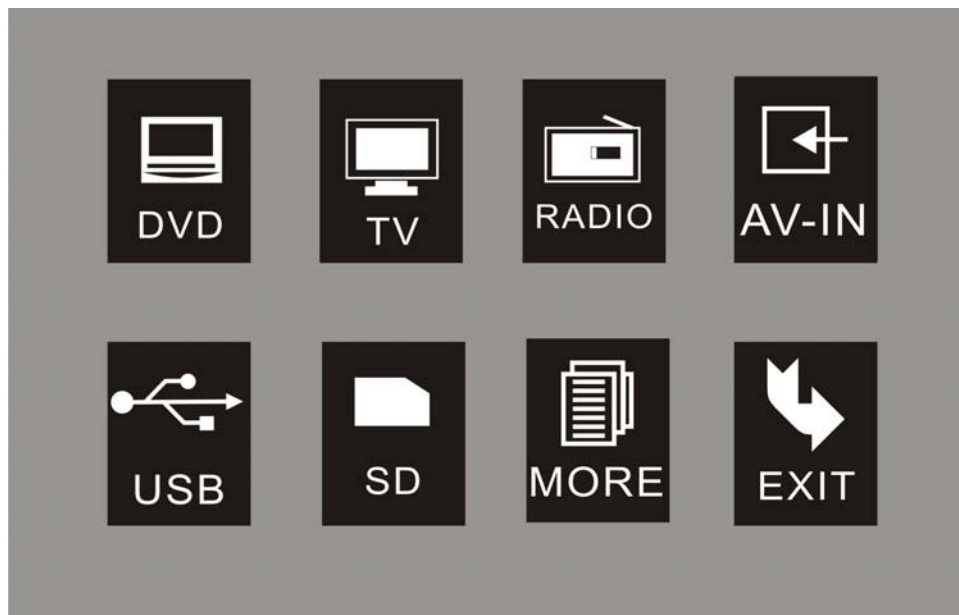
To touch the points from 1 to 5 until the points change to brighter by using a ballpoint pen or pencil.



After all 5 points change to brighter, the unit would finish the CALIBRATE and power off again. Then the Touch Screen is restored to their default positions.

MAIN MENU

Press the [MENU] button to enter the main menu:



Touch the icon "MORE" to enter the 2nd page of main menu.



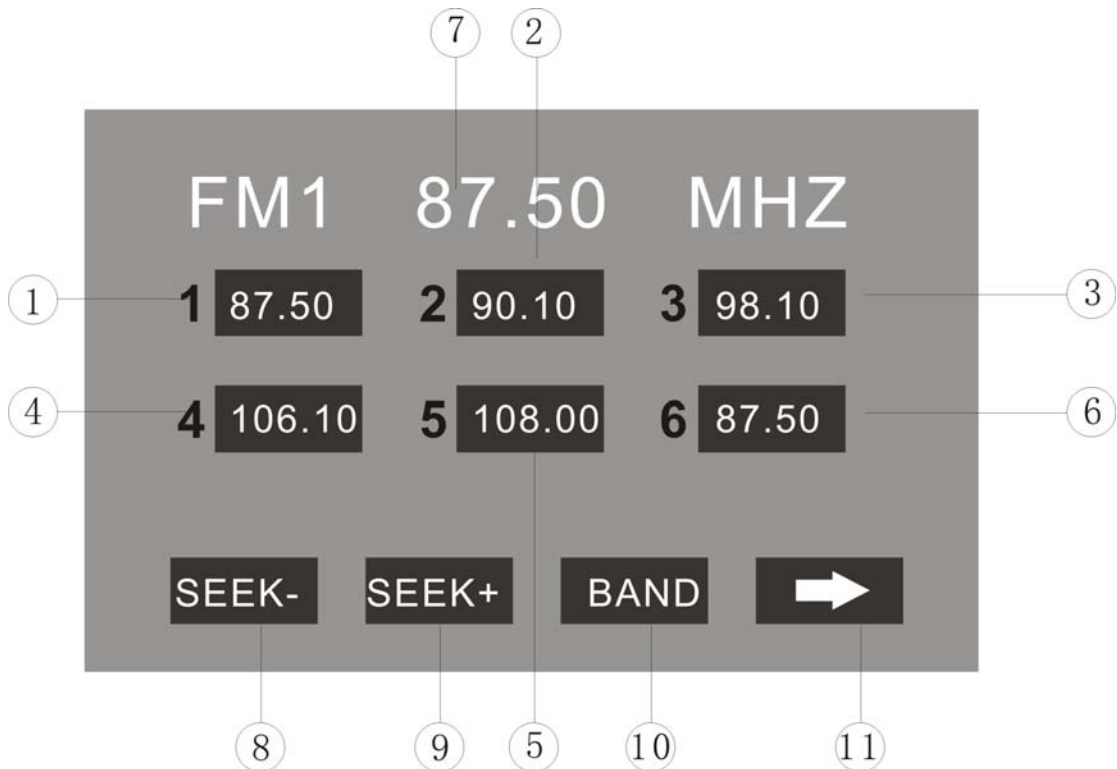
Touch the icon "MORE" to enter the 1st page of main menu.
Touch the icon "EXIT" to return the previous working Mode.

NOTE:

*The unit could be switched to DVD Mode if disc inside;
The unit could be switched to USB Mode if Mini USB connected;
The unit could be switched to SD Mode if Mini SD card connected;
The unit could be switched to IPOD Mode if iPod connected;*

RADIO OPERATIONS

Touch the icon "RADIO" to enter the RADIO Mode:



1~6. STORED CHANNEL

Manual Store Radio Station

Hold on touching the icon, you can store current radio frequency to the stored channel. For example, the current frequency is 98.5MHZ, by hold on touching the icon 1, you can store the radio station of 98.5MHZ to the channel 1.

After manual store radio station, the former stored stations will be instead.

In each wave band, the number icons 1 to 6 represent the stored radio stations.

To hold on pressing the number buttons 1~6 of remote control performs same operation.

Recall a Preset Station

Touch the icon 1~6 to recall the corresponding stored station in M1~M6 channels.

To press the number buttons 1~6 of remote control performs same operation.

7. FREQUENCY

8. SEEK - / 9. SEEK +

Touch the icon to seek the next available channel by increasing / decreasing the tuning frequency.

Press any button to stop seeking.

Seeking will stop automatically when seek an available channel then play this station.

The unit will stop on the beginning frequency if no available station after seeking one cycle.

To hold on pressing [>] / [<] buttons of remote control performs same operation.

10. BAND

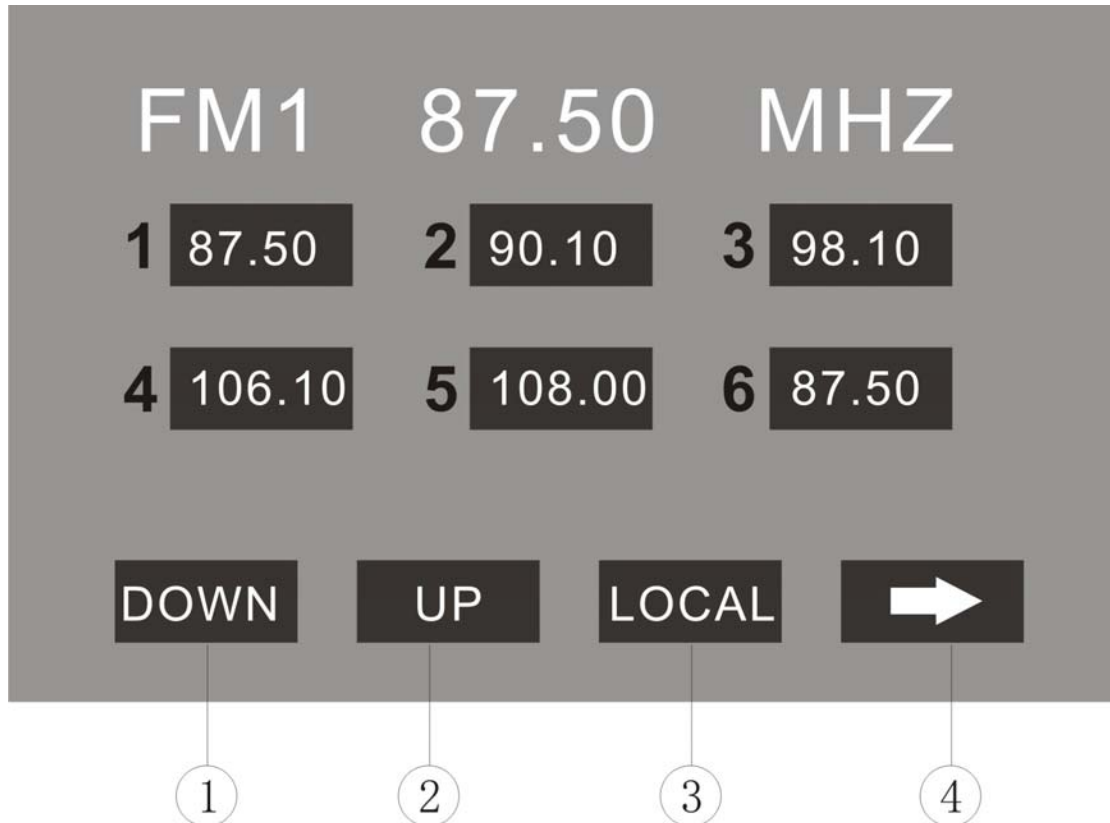
Touch the icon to switch the FM/AM wave band as following:

FM1 - FM2 - FM3 - AM1- AM2 - FM1

To press the [BAND] button of panel or remote control performs same operation.

11. NEXT PAGE

Touch the icon to enter the 2nd page of RADIO Mode:



1. DOWN / 2. UP

Touch the icons to adjust the frequency downward / upward by step decreasing / increasing.

Hold on touching the icons has same function with [SEEK-] / [SEEK+].

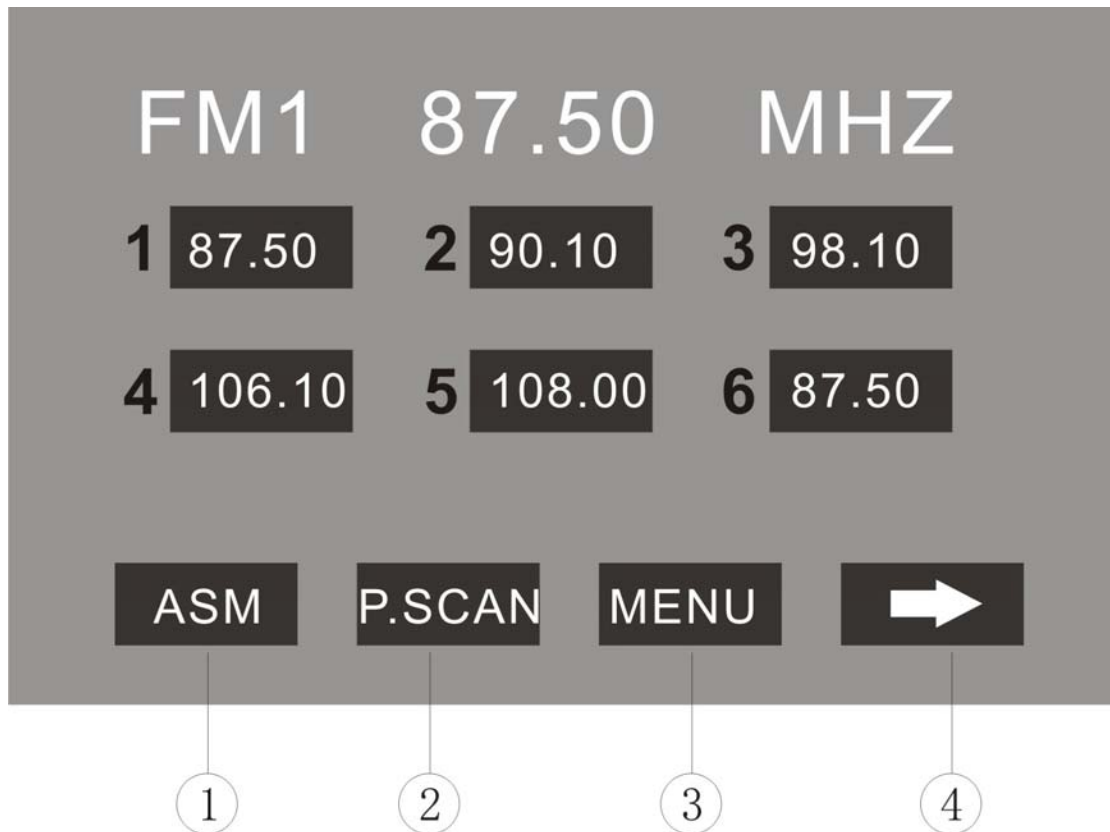
To press the [∇] / [∧] buttons of remote control performs same operation.

3. LOCAL: ON / OFF

When you are using the local searching function of LOCAL, you can only receive the radio station with strong enough signals and fine state.

4. NEXT PAGE

Touch the icon to enter the 3rd page of RADIO Mode:



1. ASM

Seeking and store the stations

1. Hold on touching the icon to seek stations with the strongest signal from the lowest frequency point in the entire wave bands; press any button to stop seeking. After seeking, the former stored stations will be instead.
2. Store the received effective radio frequency to the six stored channels M1~M6.
3. The unit will play the stations one by one for few seconds; press any button to stop playing.
4. It is independent for FM & AM frequency. There are 3 wave bands of FM1、FM2、FM3 & 2 wave bands of AM1、AM2, each can store 6 radio stations, totally 30 radio stations.
5. The unit will stop on the beginning frequency if no available station after seeking one cycle.
6. To press the [AST] button of panel or hold on pressing the [PBC/AST] button of remote control performs same operation.

2. P.SCAN

The unit will play the stored stations one by one for few seconds from FM1, FM2, FM3, AM1, AM2; press any button to stop playing.

3. MENU

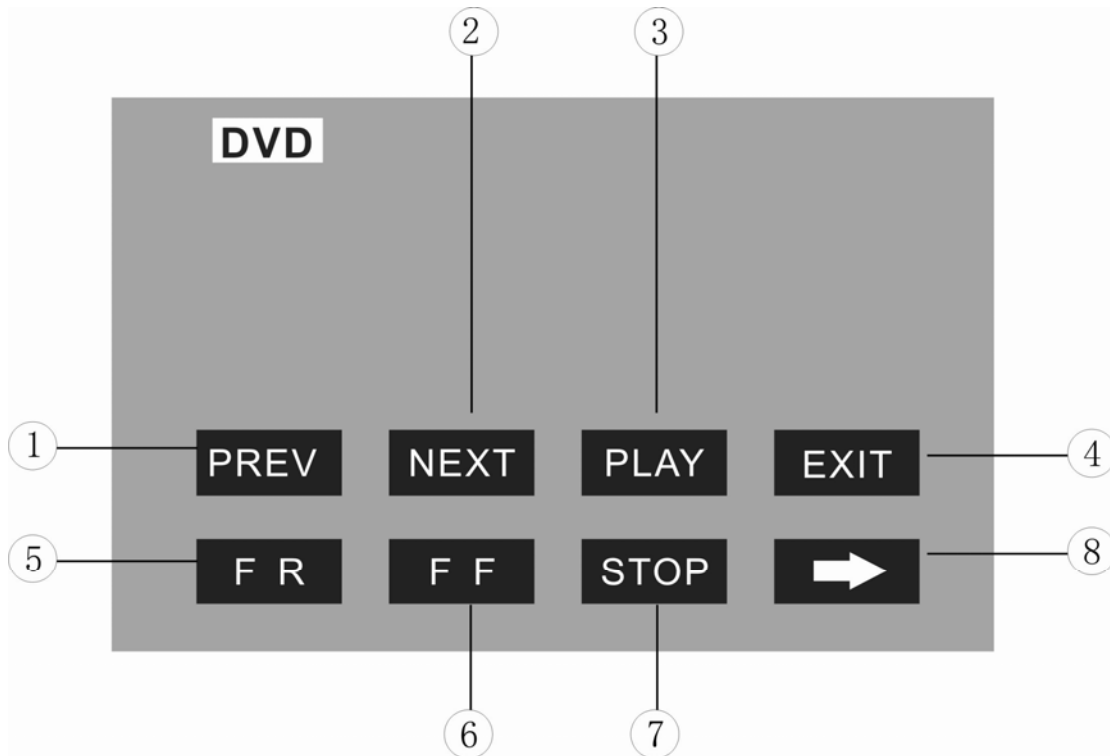
Touch the icon to return the main menu.

4. NEXT PAGE

Touch the icon to enter the 1st page of RADIO Mode.

DVD OPERATIONS

Touch the icon “DVD” to enter the DVD Mode if disc inside.
The unit will switch to DVD Mode automatically if loading disc.
The unit will switch to RADIO Mode automatically if ejecting disc.



1. PREV / 2. NEXT

Touch the icon to go to the pervious / next chapter, track or song.
To press the [Previous] / [Next] buttons of remote control performs same operation.

3. PLAY

Touch the icon to play or pause the disc.
To press the [PLAY/PAUSE] button of panel or remote control performs the same operation.

4. STOP

During movie playback, touch the icon once; the DVD player memorizes the location where you stopped (touch the [PLAY] icon to resume playing from the memorized location). If you touch the icon twice, the playback will start from the beginning of the disc when you touch the [PLAY] icon.
To press the [STOP] button of remote control performs the same operation.

5. F.REV / 6. F.FWD

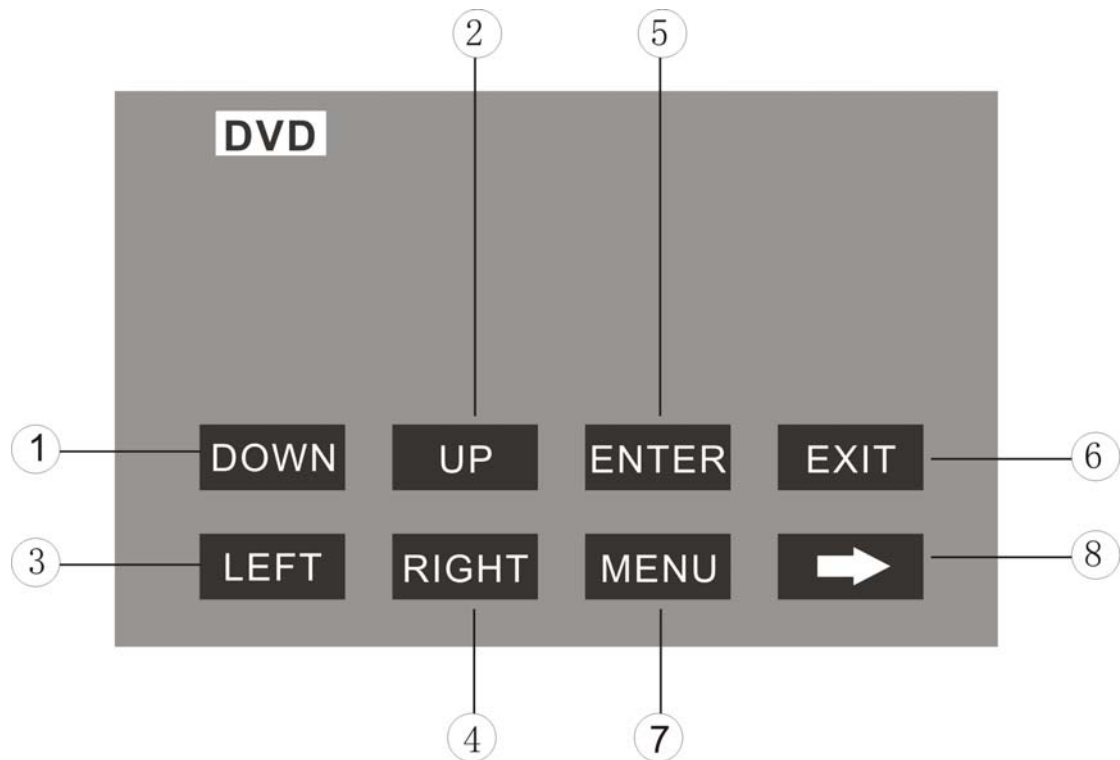
Touch the icon to select fast reverse / forward search. Touch the [PLAY] icon to resume to normal playback.
To press the [F.REV] / [F.FWD] buttons of remote control performs the same operation.

7. EXIT

Touch the icon to exit the TOUCH ICONS display.

8. NEXT PAGE

Touch the icon to enter the 2nd page of DVD Mode.



1~4. DOWN / UP / LEFT / RIGHT

Touch the direction icons (UP / DOWN / LEFT / RIGHT) to move the cursor to the selected item.

To press the direction buttons (UP / DOWN / LEFT / RIGHT arrow) of remote control performs same operation.

5. ENTER

Touch the icon to confirm the selection.

To press the [ENTER] button of remote control performs same operation.

6. EXIT

Touch the icon to exit the TOUCH ICONS display.

7. MENU

Touch the icon to return the main menu.

8. NEXT PAGE

Touch the icon to enter the 1st page of DVD Mode.

* DVD Operations on the Panel & Remote Control

Ejecting Disc

Press the [EJECT] button to eject the disc.

Play/Pause

Press the [PLAY/PAUSE] button to play or pause the disc.

Stop

During movie playback, press the [STOP] button once; the DVD player memorizes the location where you stopped (press PLAY button to resume playing from the memorized location).

If you press the [STOP] button twice, the playback will start from the beginning of the disc when you press again on the [PLAY] button.

F.FWD/F.REV

Press the [F.FWD] / [F.REV] buttons to select fast forward / reverse search. Press the buttons on the remote control performs the same operation. Press the [PLAY/PAUSE] button to resume to normal playback.

Previous/Next

Press the [Previous] / [Next] button to go to the pervious / next chapter, track or song.

Setup

Press the [SETUP] button to enter the setup menu.

Enter

In DVD mode, press the [ENTER] button to confirm the Setup Menu.

Direction

Press the direction buttons (UP / DOWN / LEFT / RIGHT arrow) to move the cursor to the selected item.

Display

Press the [DISPLAY] button to display the current playback information on the screen.

Zoom

Press the [Zoom] button during normal playback to zoom a picture. Press it repeatedly to switch between the zoom levels.

Repeat

Press the [REPEAT] button to repeat the same track, press it twice to repeat all tracks. When playing a DVD movie, pressing once will repeat the same chapter but pressing twice will repeat the entire title.

Angle

Press the [D.ANGLE] button during playback to select different viewing angles with interactive DVD media.

PBC

PBC is available in VCD mode as playback control switch.

Menu

Menu is available in DVD mode as playback control panel.

Audio

When playing a DVD disc, press the [AUDIO] button to select one of the available languages.

Subtitle

For DVD disc, press the [SUBTITLE] button to select one of the available languages.

Program

When playing a VCD disc (PCB off) or CD disc, press the [PROGRAM] button to enter the program status; Press the number buttons to enter the number of the track you want to play. If you want to exit, press the [PROGRAM] button again.

Slow

Press the [SLOW] button to activate the playback in slow motion (DVD mode only.)

P/N

Press the [P/N] button to select the video output format (PAL/NTSC).

Number Buttons

Press the number buttons to play your favourite track. For example: to play track 8, press the button 8. To play track 68, press the buttons 6 and 8 etc.

Random

Press the [RDM] button to shuffle all tracks. Press it again to return to the normal playback mode from the first track (CD mode only.)

USB OPERATIONS

Touch the icon "USB" to enter the USB Mode if USB connected.

The unit will switch to USB Mode automatically if connecting USB.

When disconnecting USB, the unit will switch to RADIO Mode automatically if there is no disc in the unit; and the unit will switch to DVD Mode automatically if there is a disc inside.

Under USB Mode, all operations are same as DVD operations.

SD OPERATIONS

Touch the icon "SD" to enter the SD card Mode if SD card connected.

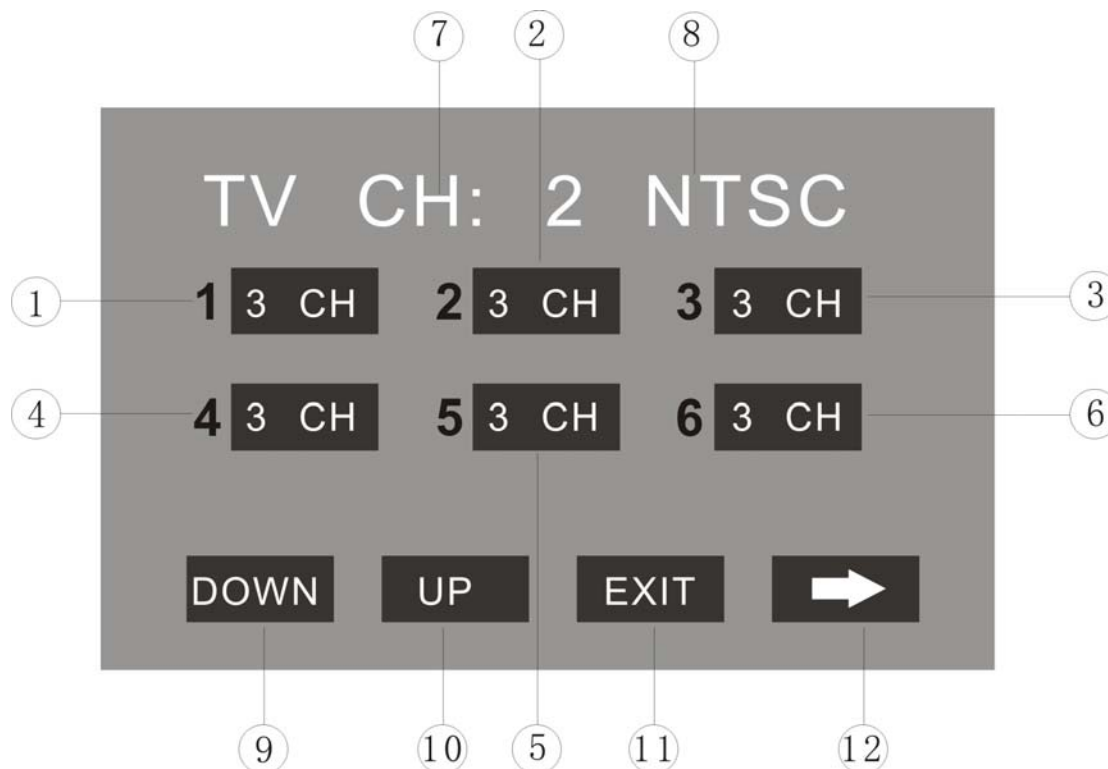
The unit will switch to SD Mode automatically if connecting SD card.

When disconnecting SD card, the unit will switch to RADIO Mode automatically if there is no disc in the unit; and the unit will switch to DVD Mode automatically if there is a disc inside.

Under SD Mode, all operations are same as DVD operations.

TV OPERATIONS

Touch the icon "TV" to enter the TV Mode:



1~6. STORED CHANNEL

Manual Store TV Station

Hold on touching the icon, you can store current station to the stored channel. For example, the current station is 3 CH, by hold on touching the icon 1, you can store the radio station of 3 CH, to the channel 1.

After manual store TV station, the former stored stations will be instead.

The number icons 1 to 6 represent the stored stations.

To hold on pressing the number buttons 1~6 on the panel performs same operation.

Recall a Preset Station

Touch the icon 1~6 to recall the corresponding stored station in M1~M6 channels.

To press the number buttons 1~6 on the panel performs same operation.

7. TV CHANNEL

8. AUDIO FORMAT

9. DOWN / 10. UP

After [ASM] seeking, touch the icon to select the stations downward / upward.

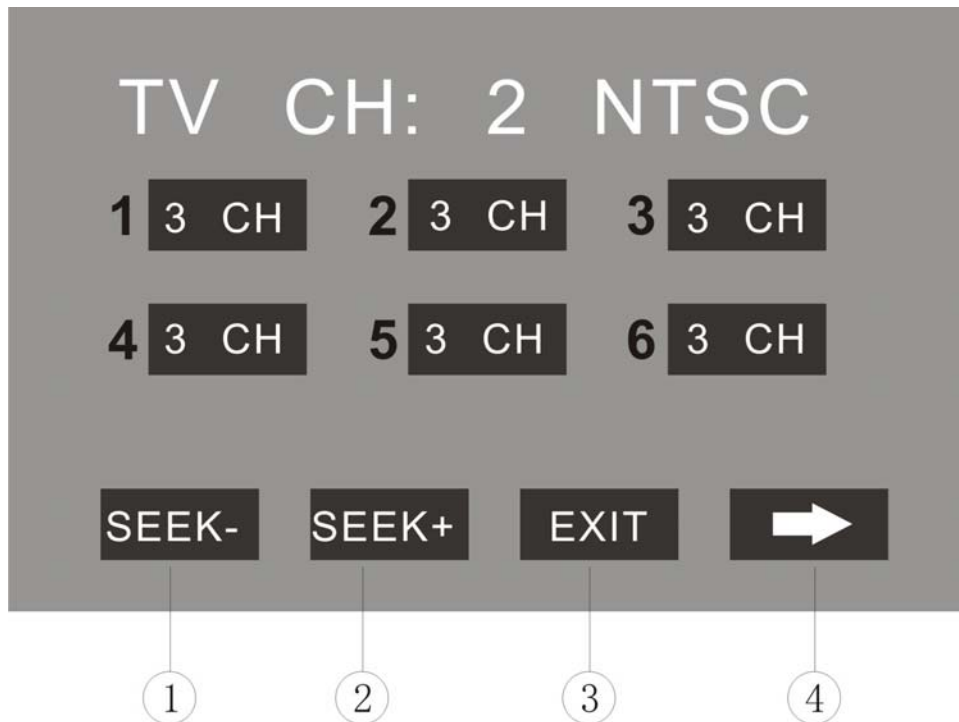
To press the [∧] / [∨] buttons of remote control performs same operation.

11. EXIT

Touch the icon to exit the TOUCH ICONS display.

12. NEXT PAGE

Touch the icon to enter the 2nd page of TV Mode.



1. SEEK - / 2. SEEK +

Touch the icon to seek the next available channel by increasing / decreasing the tuning frequency.

Press any button to stop seeking.

Seeking will stop automatically when seek an available channel then play this station. The unit will stop on the beginning frequency if no available station after seeking one cycle.

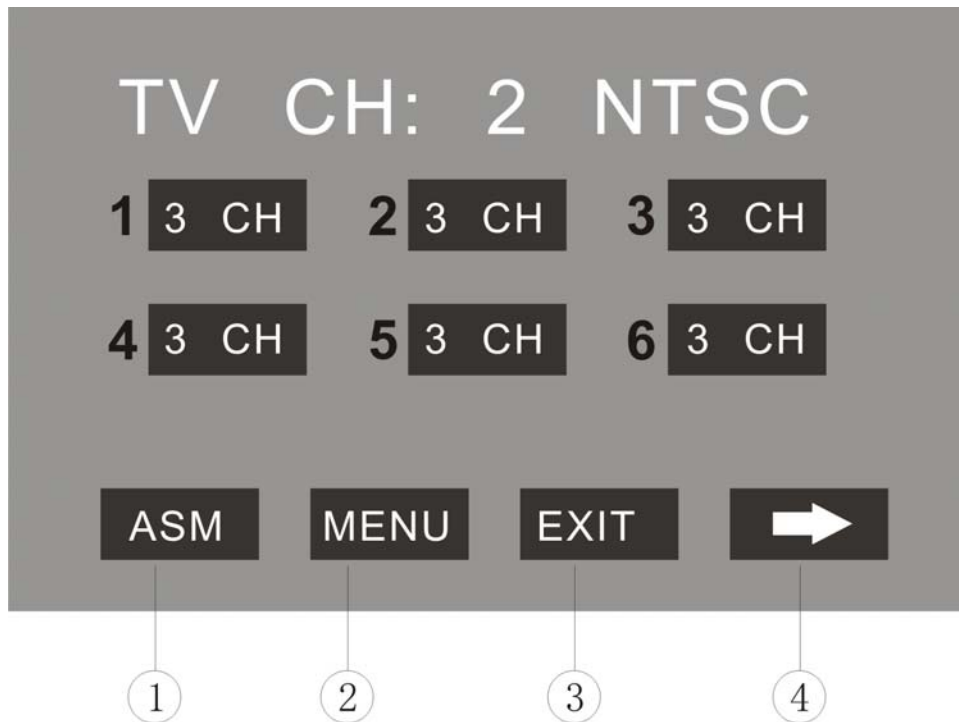
To hold on pressing [>] / [<] buttons of panel or remote control performs same operation.

3. EXIT

Touch the icon to exit the TOUCH ICONS display.

4. NEXT PAGE

Touch the icon to enter the 3rd page of TV Mode.



1. ASM

Seeking and store the stations.

1. Touch the icon to seek all stations with the strongest signal from the lowest frequency point; press any button to stop seeking. After seeking, the former stored stations will be instead.
2. Store the received effective TV stations to the six stored channels M1~M6.
3. The unit will stop on the beginning frequency if no available station after seeking one cycle.
4. To press the [PBC/AST] button of remote control performs same operation.

2. MENU

Touch the icon to return the main menu.

3. EXIT

Touch the icon to exit the TOUCH ICONS display.

4. NEXT PAGE

Touch the icon to enter the 1st page of TV Mode.

*** Select the Station Directly**

Press the number buttons of remote control to select the station directly. For example, press 2 to select station 2; press 1 & 2 to select station 12.

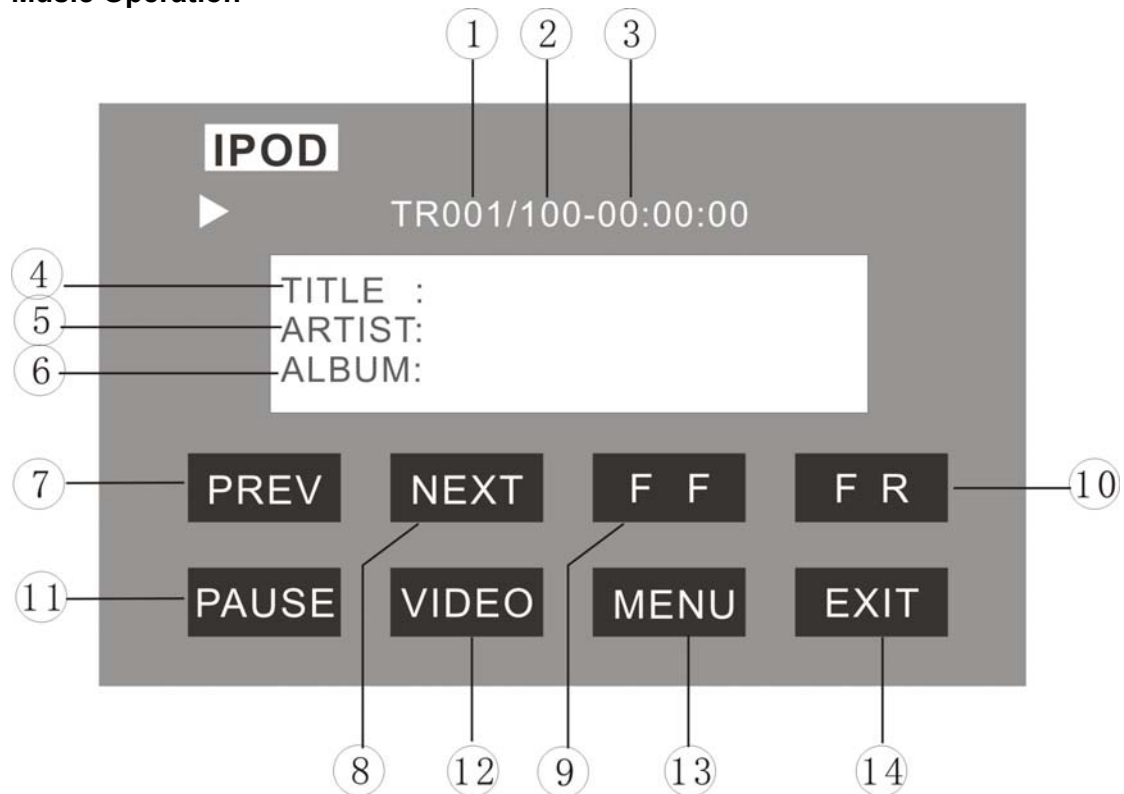
IPOD OPERATIONS

Touch the icon "IPOD" to enter the IPOD Mode if iPod connected.
The unit will switch to IPOD Mode automatically if connecting iPod.
The unit will switch to RADIO Mode automatically if disconnecting iPod.

NOTE:

It is available for iPod operations with an additional iPod cable which is optional accessory.

Music Operation



1. The Number of Playing Song
2. The Total Songs in Play List
3. The Playing Time
4. The Name of Playing Song
5. The Name of Artist
6. The Name of Album

7. PREV / 8. NEXT

Touch the icon to go to the pervious / next chapter, track or song.
To press the [PREVIOUS] / [NEXT] buttons of remote control performs same operation.

9. F.REV / 10. F.FWD

Touch the icon to select fast reverse / forward search. Touch the [PLAY] to resume to normal playback.
To press the [F.REV] / [F.FWD] buttons of remote control performs the same operation.

11. PLAY / PAUSE

Touch the icon to play or pause the disc.

To press the [PLAY/PAUSE] button of panel or remote control performs the same operation.

12. VIDEO

Touch the icon to switch to the VIDEO operation.

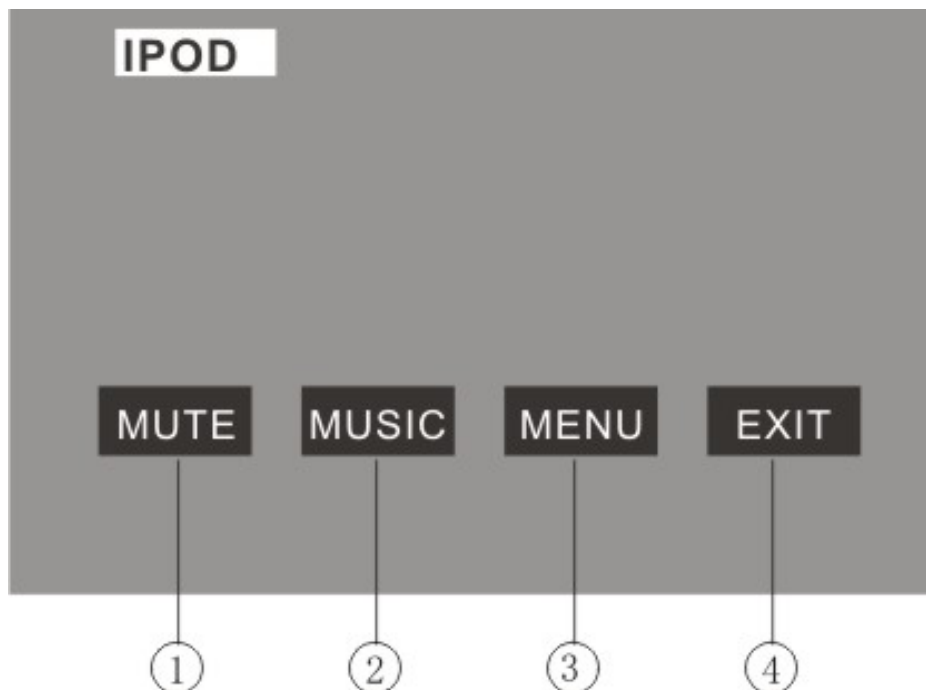
13. MENU

Touch the icon to return the main menu.

14. EXIT

Touch the icon to exit the TOUCH ICONS display.

Video Operation



1. MUTE

Touch the icon to switch off the sound; touch it again to resume to the previous volume level.

2. MUSIC

Touch the icon to switch to the MUSIC operation.

3. MENU

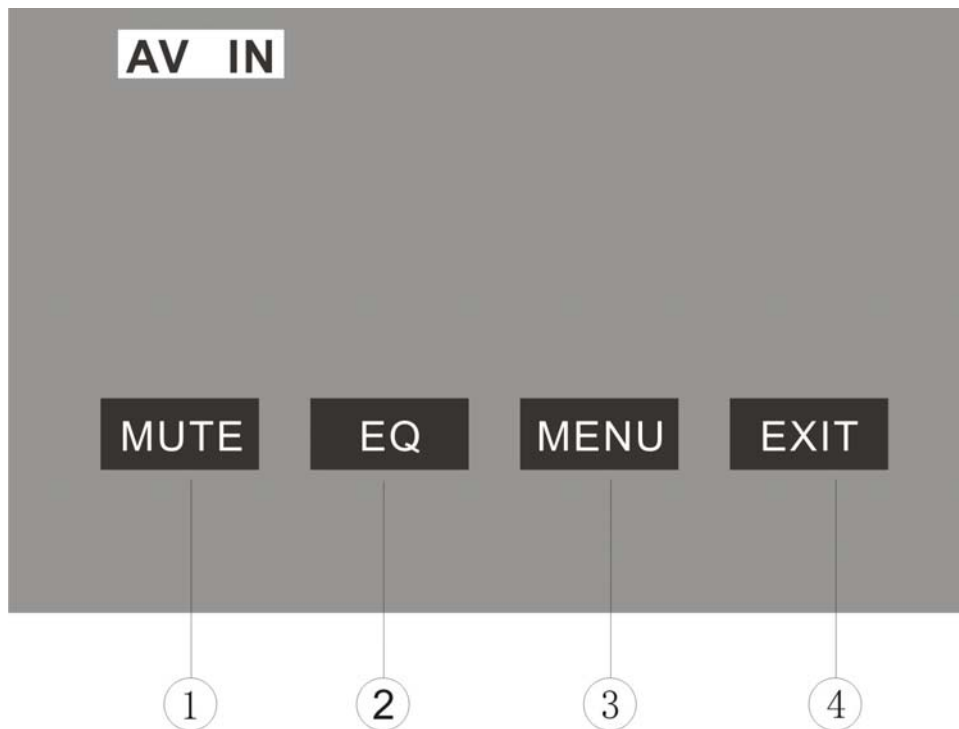
Touch the icon to return the main menu.

4. EXIT

Touch the icon to exit the TOUCH ICONS display.

AV IN OPERATIONS

Touch the icon "AV IN" to enter the AV IN Mode:



1. MUTE

Touch the icon to switch off the sound; touch it again to resume to the previous volume level.

2. EQ

The user can set to adjust the audio output to your preference:
USER – POP – CLASSIC – ROCK – JAZZ – USER

3. MENU

Touch the icon to return the main menu.

4. EXIT

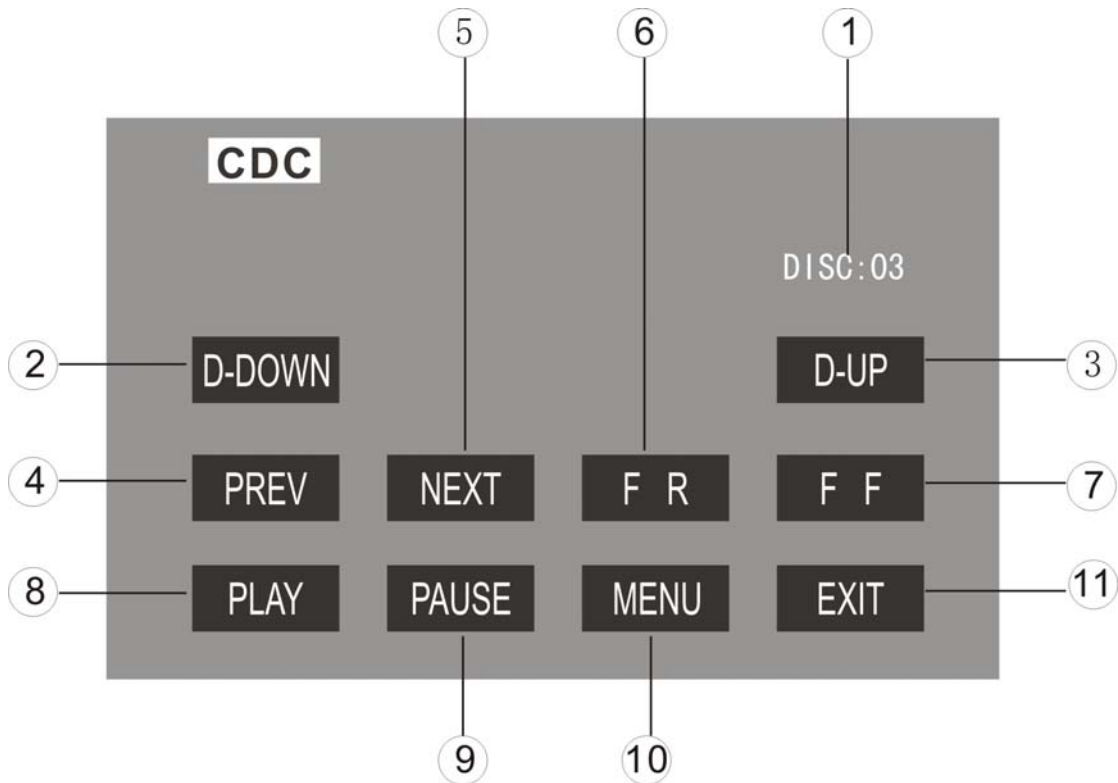
Touch the icon to exit the TOUCH ICONS display.

NOTE:

There are 2 RCA Audio Inputs & 1 RCA Video Input for unit.

CDC OPERATIONS

Touch the icon "CDC" to enter the CDC Mode if CD/DVD changer connected:



1. The playing DISC number

2. D-DOWN / **3.** D-UP

Touch the icon to change the next / previous disc to play.

4. PREV / **5.** NEXT

Touch the icon to go to the pervious / next chapter, track or song.

To press the [PREVIOUS] / [NEXT] buttons of remote control performs same operation.

6. F.REV / **7.** F.FWD

Touch the icon to select fast reverse / forward search. Touch the [PLAY] icon to resume to normal playback.

To press the [F.REV] / [F.FWD] buttons of remote control performs the same operation.

8. PLAY / **9.** PAUSE

Touch the icon to play or pause the disc.

To press the [PLAY/PAUSE] button of panel or remote control performs the same operation.

10. MENU

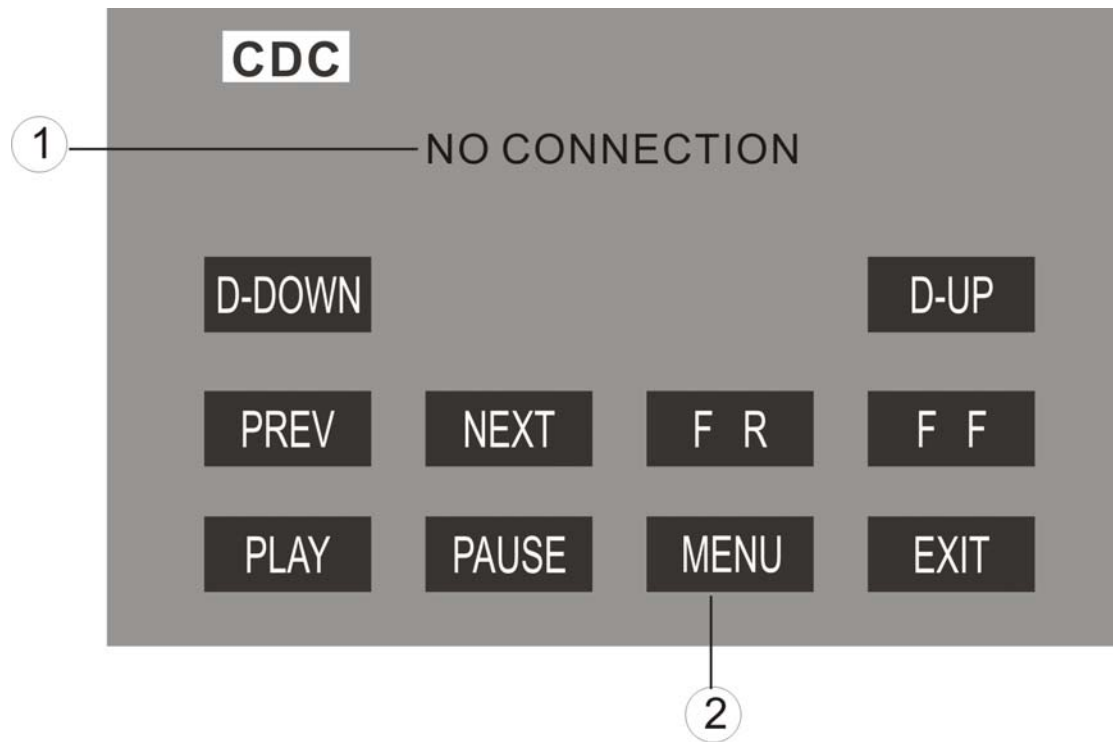
Touch the icon to return the main menu.

11. EXIT

Touch the icon to exit the TOUCH ICONS display.

NOTE

Touch the “CDC” icon to enter the following page if the CD/DVD changer not connected.



1. INFORMATION

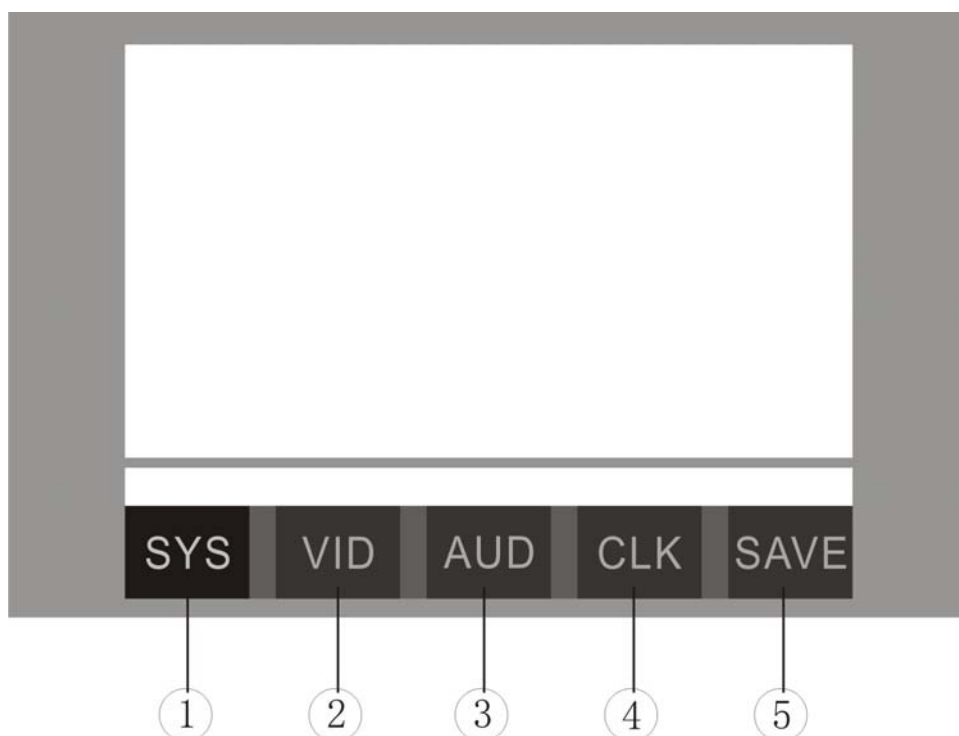
It indicates that the unit does not connect the CD/DVD changer.

2. MENU

Touch the icon to return the main menu.

SYSTEM SETUP

Touch the icon "SETUP" or hold on pressing the [MENU] button of panel to enter the SETUP of system parameters:



1. SYSTEM SETUP

2. VIDEO SETUP

3. AUDIO SETUP

4. CLOCK SETUP

Touch the icon 1~4 to select the main menus directly.

5. SAVE SETTINGS

Touch the icon 5 to save all settings and exit SETUP.

SETUP MENU OPERATION

Press the [BAND] button of panel or remote control to switch the main menus as following:

SYSTEM – VIDEO – AUDIO – CLOCK – SYSTEM

Press the [M] / [A] buttons of remote control or press the [MENU] button of panel to select the item you want to change.

Press the [<] / [>] buttons of remote control or press the [VOLUME + / -] buttons of panel to change the value of item.

Holding on pressing the [MENU] button of panel to exit SETUP of system parameters.

SYSTEM SETUP



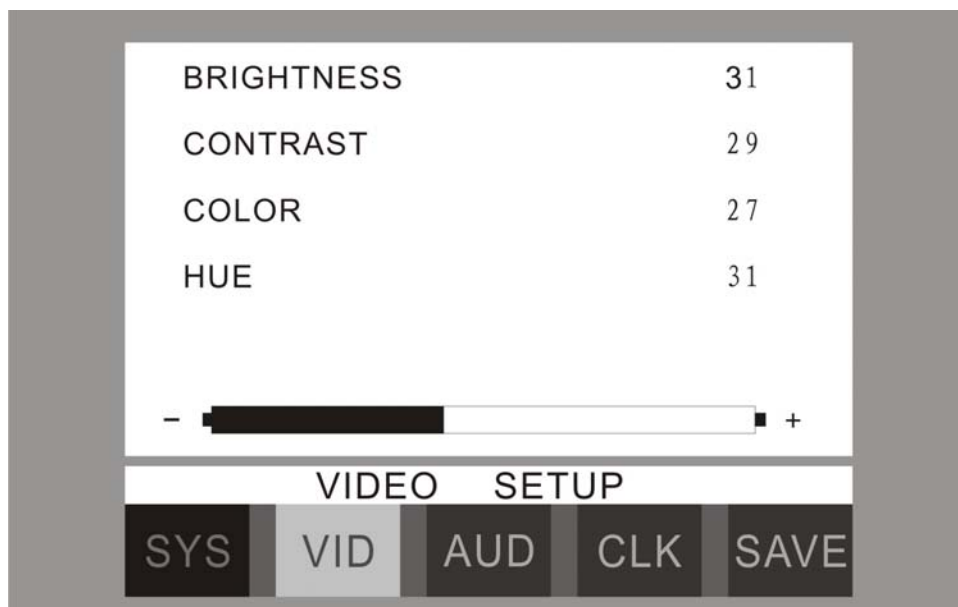
RADIO AREA: USA – JAPAN – OIRT – EUROPE – ASIA – USA

VIDEO TYPE: NTSC

SUB-WOOFER: OFF – 80 HZ – 120 HZ – 160 HZ

DEFAULT: the unit will restore all default settings of Sound Parameter, Picture Parameter & Tuner Parameter.

VIDEO SETUP



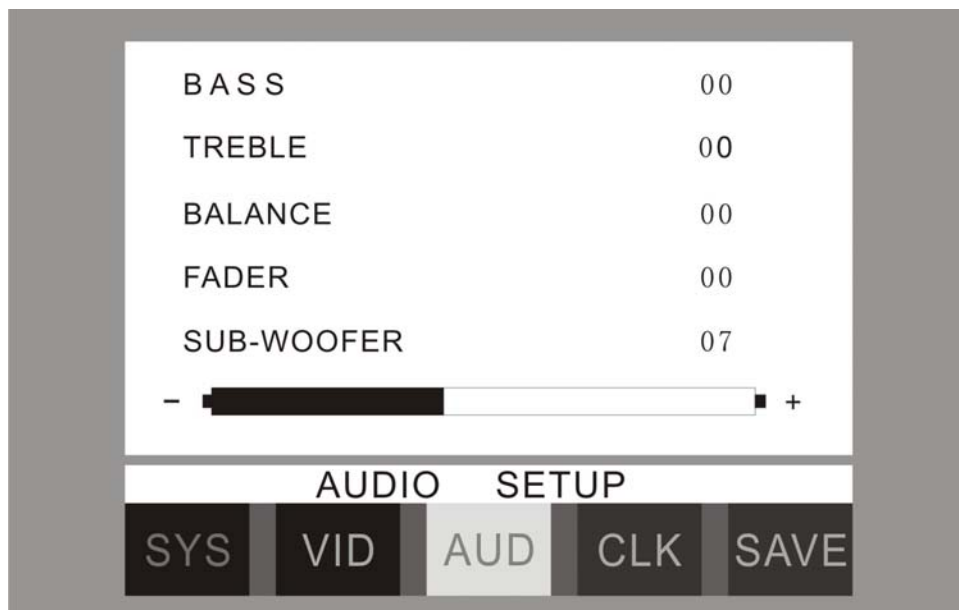
BRIGHTNESS: 0 ~ 64

CONTRAST: 0 ~ 64

COLOR: 0 ~ 64

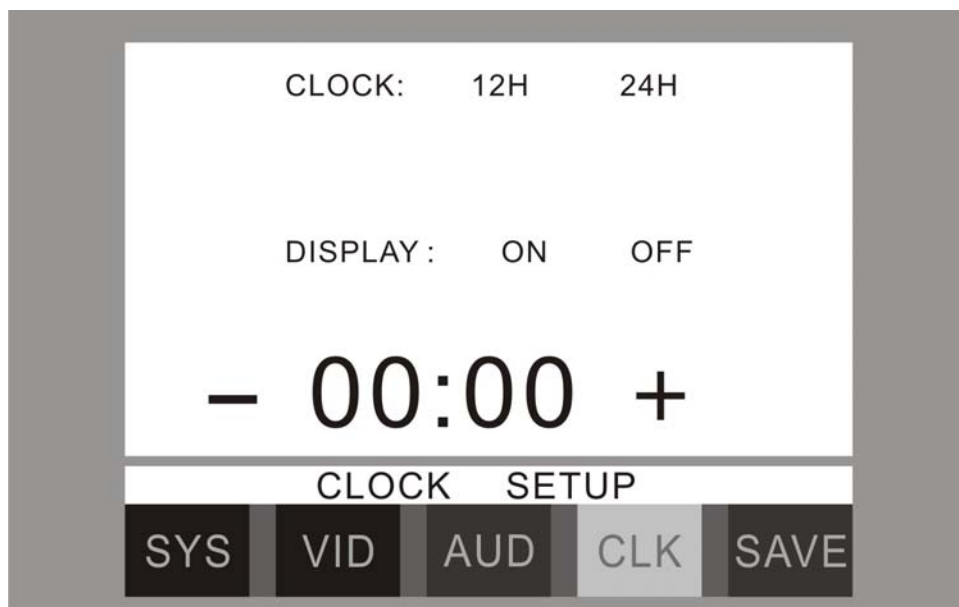
HUE: 0 ~ 64

AUDIO SETUP



BASS: - 15 ~ + 15
TREBLE: - 15 ~ + 15
BALANCE: L 15 ~ R 15
FADER: F 15 ~ R 15
SUB-WOOFER: 0 ~ 15

CLOCK SETUP



CLOCK: 12H / 24H
DISPLAY: ON / OFF
HOUR: 00 ~ 23
MINUTE: 00 ~ 59

DVD SETUP MENU

SETUP MENU OPERATION

Press the [SETUP] button of Remote Control to enter the SETUP MENU.

Press the [<] / [>] buttons to switch the main menus as following:

General – Speaker – Dolby Digital – Preference

Press the [ENTER] or [v] buttons to enter the submenus from main menus.

Press the [<] button to exit the submenus to main menus.

Press the [v] / [^] buttons to select the submenus as your need.

Press the [>] button to enter the items of submenus.

Press the [<] button to exit the items of submenus.

Press the [v] / [^] buttons to select the item you want to change.

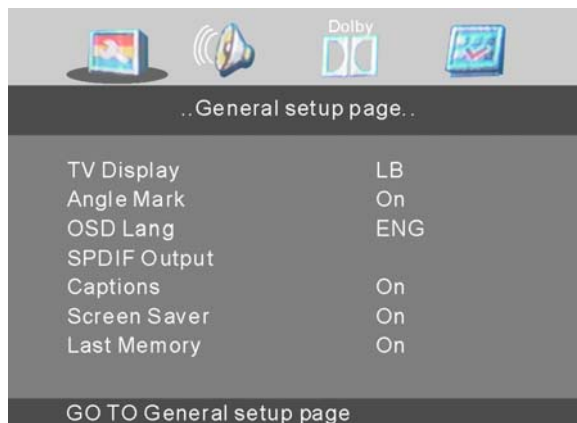
Press the [ENTER] button to confirm the item you have selected.

Press the [SETUP] button to exit the SETUP MENU and save all settings.

NOTE:

Effective only DVD, USB & SD Mode.

General Setup Page



TV Display

Following options are available for the TV Display:

Normal / PS Normal / LB Wide

Angle Mark

Select ON or OFF.

OSD Language

Following options are available for the OSD Language:

English	French	German	Russia	
Spanish	Italian	Portuguese	Swedish	
Dutch	Korean	Danish	Norwegian	Hungarian

SPDIF Output

Following options are available for the SPDIF Output:

SPDIF Off SPDIF / RAW SPDIF / PCM

Captions

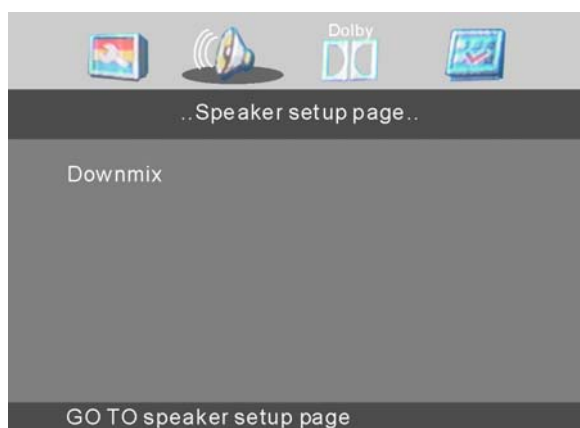
Select ON or OFF.

Screen Saver

Select ON or OFF.

Last Memory

Select ON or OFF.

Speaker Setup Page**Downmix**

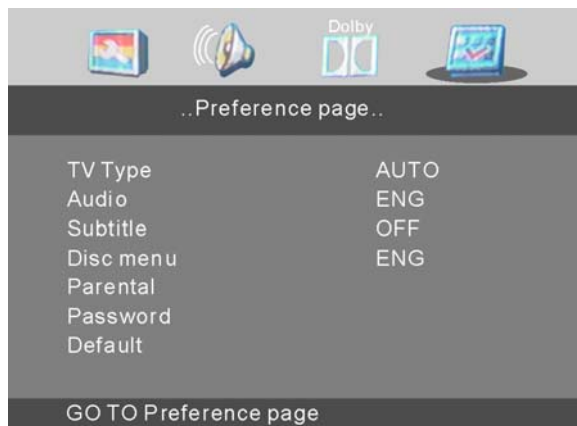
Following options are available for the Downmix:

LT / RT Stereo

Dolby Digital Setup**Dynamic**

Choose arrangement is from FULL to OFF.

Preference Page



TV Type

Following options are available for TV Type:

PAL Auto NTSC

Audio

Following options are available for the Audio Language:

English	French	German	Russia	
Spanish	Italian	Portuguese	Swedish	
Dutch	Korean	Danish	Norwegian	Hungarian

Subtitle

Following options are available for the Subtitle Language:

English	French	German	Russia	
Spanish	Italian	Portuguese	Swedish	
Dutch	Korean	Danish	Norwegian	Hungarian

Disc Menu

Following options are available for the Disc Menu Language:

English	French	German	Russia	
Spanish	Italian	Portuguese	Swedish	
Dutch	Korean	Danish	Norwegian	Hungarian

Parental

Following options are available for the Parental Ratings:

1 KID SAF	2 G	3 PG
4 PG 13	5 PGR	6 R
7 NC 17	8 ADULT	9 Off

The Parental Ratings could be changed after the correct password input.

Password

Setup the password for Parental Ratings change. The default password is 0000.

Default

The unit will restore all default settings by selecting this option.

SPECIFICATIONS

GENERAL

Supply Voltage	: 14.4V DC (11-16V allowed)
Load Impedance	: 4Ω per channel
Max Power Output	: 50W x 4
Bass 100Hz	: ≥ 10dB
Treble 10KHz	: ≥ 10dB
Dimensions (approx.)	: 183.5 x 188 x 60mm (d/w/h) (main unit)
	: 172 x 24 x 84mm (d/w/h) (panel)
Mounting (approx.)	: 160 x 178 x 50mm (d/w/h)

FM TUNER

Frequency Range	: 87.5 – 108 MHz (Europe/Asia)
	87.5 – 107.9 MHz (USA)
IF	: 10.7 MHz
Usable Sensitivity	: ≤ 15dBuV
Stereo Separation	: ≥ 26dB (1 KHz)
Frequency Response	: 100-20000Hz

AM TUNER

Frequency Range	: 531 - 1602 KHz (Asia)
	522 - 1620 KHz (Europe)
	530 - 1710 KHz (USA)
IF	: 450 KHz
Usable Sensitivity	: ≤ 40dBuV

TV TUNER

Frequency Range	NTSC: 55.25 MHz~855.25MHz
	PAL: 48.25 MHz~855.25MHz

DVD PLAYER

Signal-to-noise Ratio	: ≥ 85dB (1 KHz)
Distortion	: ≤ 0.5%

NOTE:

Specifications and design are subject to change without notice.

TROUBLE SHOOTING

SYMPTOM	CAUSE / SOLUTION
No sound	Cancel the mute function. Adjust the volume.
The memory contents are lost	Disconnect the power wire or battery. Press the RESET button.
The disc does not play	The disc might be dirty or damaged.
The disc comes out automatically	The temperature is outside the range of the operating temperature.
The disc can not be inserted	Push the disc while pressing the EJECT button. A disc is loaded in the mechanism. Press the RESET button.
The function buttons do not work	Press the RESET button.
Audio skipping	The disc might be dirty or damaged.
No picture	Open the monitor. Choose the video input on the TV to receive the picture from the unit.
Picture stops (pauses)	The disc might be dirty or damaged.
Poor radio reception	Antenna may not have the proper length, be sure the antenna is fully extended and properly connected. If broken replace the antenna with a new one. The antenna is poorly grounded, check again the antenna connection.

NOTE:

If any problem persists after checking the above list, please consult your nearest service dealer.

Never attempt to disassemble the unit by yourself!