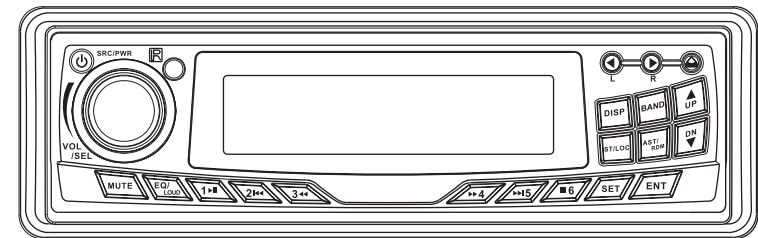


OWNER'S MANUAL

Mobile Video System



SAFETY INFORMATION

Please read the manual carefully before operating this unit and keep it for future reference.

CAUTION: This unit is a class 1 laser product. To prevent direct exposure to laser system, do not open the unit. The laser beam may hurt your eyes. If the unit requires adjustments, contact an authorized service centre.

USE THIS PRODUCT SAFELY

Be sure fully understand the following safety information:

When Fixing

Make the proper input and output cable connections for the unit. ACC on only after all wire connected.

When driving

Keep the unit at an appropriate sound level. Driving with the sound at a level that prevents you from hearing sounds outside and around the car may cause an accident.

When car washing

Do not expose the product to water or excessive moisture. This could cause short circuit, fire or other damage.

When parked

Parking in direct sunlight can produce very high temperature inside your car. Give the interior a chance to cool down before switching the unit on.

Use the proper supply

This product is designed to operate with a 12 V DC, negative ground operation.

TROUBLE SHOOTING

SYMPTOM	CAUSE/SOLUTION
No sounds.	Cancel the mute function. Adjust the volume.
The memory contents are vanished.	Disconnect the power wire or battery. Press RESET button.
Do not play.	The disc is dirty or damaged.
The disc is out automatically.	The temperature is out of operating temperature .
The disc can not go out.	Push the disc when press EJECT button. A disc is loaded in the mechanism. Press RESET button.
Function button is unworkable.	Press RESET button.
There's audio skipping.	The disc is dirty or damaged.
No picture.	Open Monitor. Choose video input on the TV to receive The picture from the unit.
Picture stops (pauses).	The disc is dirty or damaged. Color system setup is incorrect. Adjust to PAL or NTSC according to the TV.
Poor effect on receiving a station.	Antenna may not be the proper length. Be sure the antenna is fully extended and properly connected; if broken, replace the antenna with a new one; The antenna is poorly grounded, check and make sure the antenna is properly connected.

NOTE:

If any of problem persists after checked the above list. Please consult your nearest service dealer. Never attempt to disassemble the unit personally.

FEATURES

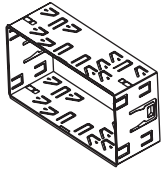
ISO/Din
Slot Loading DVD for Multiple Mounting
In-Dash, Floor and Under Dash Mounting Brackets
Detachable Flip-down Front Panel
Jumbo Size Color LCD Display
Dancing Spectrum Analyzer
DVD/VCD/CD/CD-R/CD-RW/MP3 Compatible
Full-Function Infrared Remote Control
Last Position Memory
On Screen Display
Built-in Dolby Digital Decoder
Mechanical Anti-Shock & Digital Anti-Shock
NTSC/PAL Selectable
Built-in FM/AM Radio Tuner
Auto Antenna Control
30 Presets, Store/Scan/Seek
Telephone Mute Control
Preset EQ
Bass /Treb /Fad /Bal Control
Max Output Power: 40w x 4
RCA Audio Output X 4
RCA Video Output X 1
RCA Audio Input X 2
RCA Video Input X 1

NOTE:

**This user's manual is only for reference.
Modifying rights are reserved.
Modifications are subject to change without notice.**

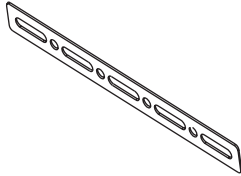
ACCESSORIES

1



Mounting Box x1

2



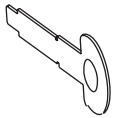
Steel Bar x1

3



M5x5 Screws x 4

4



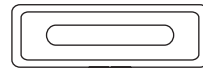
Keys x 2

5



Connector Wire x 1

6



Box x1

7



Remote Control x 1

8



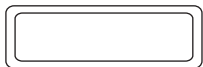
Operational Manual x 1

9



Product Warranty Registration Card

10



Frame x1

11



Rear Mounting Bolt x1

REQUIREMENTS

- 1) Do not use and store the loader in dusty, high temperature or high humidity environments.
- 2) Do ground all equipments and works in order to avoid causing damage to the loader by electrostatic discharges.
- 3) The user who handles this product takes all necessary precautions to avoid ESD (Electro-Static Discharge) failures.
- 4) Do not touch assembled PCB with hand directly, avoid fingerprints or stains remain on the PCB and handle the loader in a clean environment.
- 5) Do not shock loader during handing and manufacturing.
- 6) Do not use loader immediately when you bring it from cold to warm place. Great change of temperature may cause moisture condensing on the pickup lens which influences the readability for certain time. Please make the loader stable at least 2 hours before operating under such a condition.
- 7) Do not disassemble the loader to avoid ESD failures and to prevent from contamination.

REPLACE THE FUSE

Make sure the amperage match the specified when replacing the fuses. If the fuse is broken, check the power connection and replace a new one. If the same problem occurs, it would be subjected to the malfunction in-house. In such cases, please consult the nearest service dealer.

▲ Warning

Never use the fuse with the rated amperage more than that supplied to your unit, otherwise it will damage the unit.

SPECIFICATIONS

GENERAL

Supply Voltage	: 14.4V DC (11-16V allowable)
Load Impedance	: 4 Ω
Max Power Output	: 40W x 4
Tone Controls	: ± 7 dB
Bass 100Hz	
Treble 10KHz	
Dimension (approx)	: 162x187x56mm (d/w/h)
Mounting (approx)	: 160x178x50mm (d/w/h)

FM TUNER SECTION

Frequency Range	: 87.5-108(MHz)(Europe/ASIA) 87.5-107.9(MHz)(USA)
IF	: 10.7MHz
Usable Sensitivity	: ≤ 15 dBuV

Stereo Separation	: ≥ 30 dB(1KHz)
Frequency Response	: 100-10000Hz

AM TUNER SECTION

Frequency Range	: AM :531-1602(KHz) (ASIA) MW:522-1620(KHz) (Europe) 530-1710(KHz) (USA)
IF	: 450KHz
Usable Sensitivity	: ≤ 37 dBuV

DVD PLAYER SECTION

Signal-to-noise Ratio	: ≥ 85 (1KHz)
Distortion	: $\leq 0.5\%$

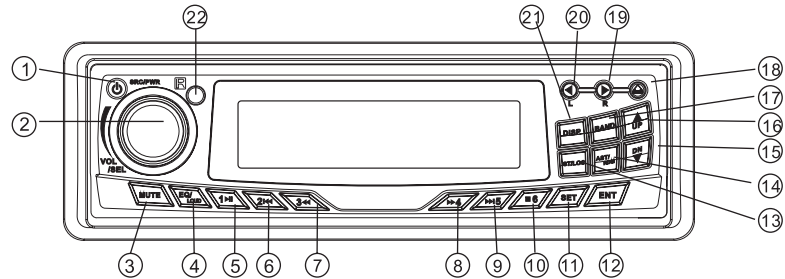
NOTE:

Specifications and design are subject to modification without notice due to improvements in technology.

TABLE OF CONTENTS

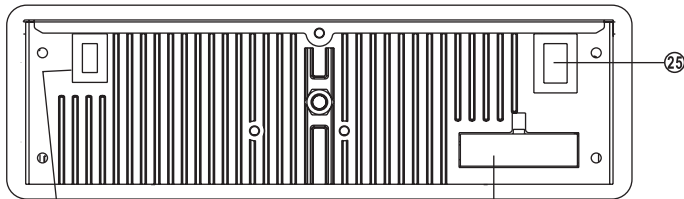
Safety Information	1
Features	2
Accessories	3
Table of Contents	4
Front Panel Description	5
Remote Control Description	6
Unit Installation	8
Unit Removal	11
Wire Connection	12
Disc Notes	13
Disc Operation	14
Basic Operations	15
DVD/VCD/CD/MP3 Operations	16
Radio Operations	17
DVD Setup Menu.....	18
Specifications.....	23
Requirements	24
Trouble Shooting	25

FRONT PANEL DESCRIPTION



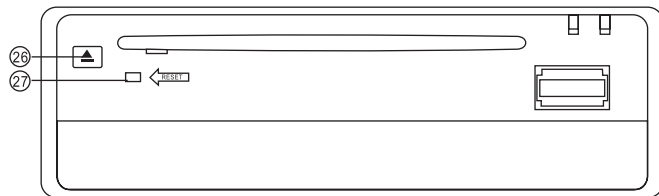
- | | | |
|--------------|-----------|----------|
| ① SRC/PWR | ⑨ NEXT | ⑰ BAND |
| ② VOLUME | ⑩ STOP | ⑱ REL |
| ③ MUTE | ⑪ SETUP | ⑲ RIGHT |
| ④ EQ/LOUD | ⑫ ENTER | ⑳ LEFT |
| ⑤ PLAY/PAUSE | ⑬ ST/LOC | ㉑ DISP |
| ⑥ PREVIOUS | ⑭ AST/RDM | ㉒ REMOTE |
| ⑦ F.FWD | ⑮ DOWN | |
| ⑧ F.REV | ⑯ UP | |

REAR PANEL DESCRIPTION



- | | |
|------------------------|-----------------|
| ②③ RADIO ANTENNA INPUT | ②④ 16PIN SOCKET |
| ②⑤ VIDEO AUDIO OUTPUT1 | |

BASE PANEL DESCRIPTION

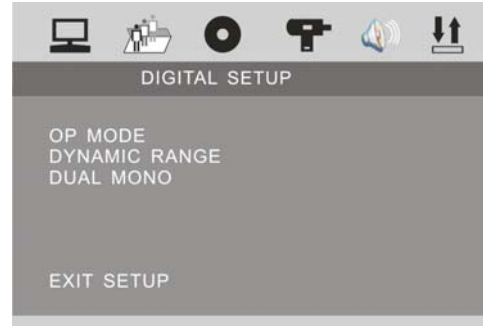


- | | |
|----------|----------|
| ②⑥ EJECT | ②⑦ RESET |
|----------|----------|

BASS MODE

Following options are available for the BASS MODE:
 ALL LG SPK ALL SM SPK MIXED SPK

DIGITAL SETUP



OP MODE

Following options are available for the OP MODE:
 LINE OUT RF REMOD

DYNAMIC RANGE

Following options are available for the DYNAMIC RANGE:
 FULL 6 / 8 4 / 8 2 / 8 OFF

DUAL MONO

Following options are available for the DUAL MONO:
 STEREO MONO L MONO R MIX MONO

VIDEO SETUP



BRIGHTNESS

Following options are available for the BRIGHTNESS:
0 2 4 6 8 10 12

CONTRAST

Following options are available for the CONTRAST:
0 2 4 6 8 10 12

HUE

Following options are available for the HUE:
-6 -4 -2 0 +2 +4 +6

SATURATION

Following options are available for the SATURATION:
0 2 4 6 8 10 12

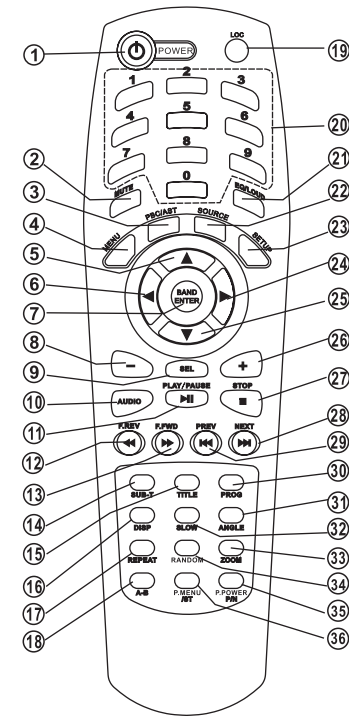
SPEAKER AETUP



DOWNMIX

Following options are available for the DOWNMIX:
LT / RT Stereo VSS

REMOTE CONTROL DESCRIPTION

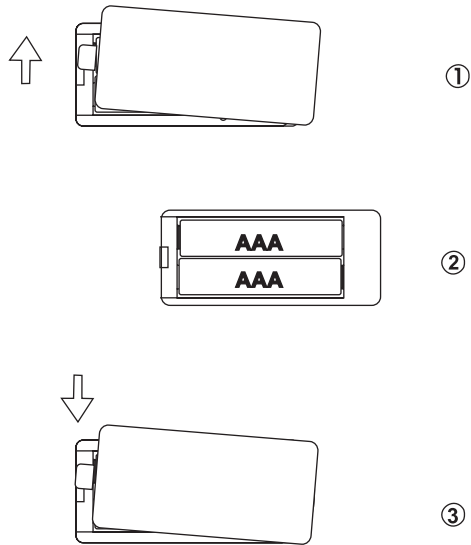


- | | | |
|--------------|------------------|-----------------|
| ① POWER | ⑬ F.FWD | ⑲ DOWN |
| ② MUTE | ⑭ SUBTITLE | ⑳ VOLUME+ |
| ③ PBC/AST | ⑮ TITLE | ㉑ STOP |
| ④ MENU | ⑯ DISPLAY | ㉒ NEXT |
| ⑤ UP | ⑰ REPEAT | ㉓ PREVIOUS |
| ⑥ LEFT | ⑱ A-B | ㉔ PROGRAM |
| ⑦ BAND/ENTER | ⑲ LOC | ㉕ ANGLE |
| ⑧ VOLUME- | ⑳ NUMBER BUTTONS | ㉖ SLOW |
| ⑨ SELECT | ㉑ EQ/LOUD | ㉗ ZOOM |
| ⑩ AUDIO | ㉒ SOURCE | ㉘ RANDOM |
| ⑪ PLAY/PAUSE | ㉓ SETUP | ㉙ P. POWER ,P/N |
| ⑫ F.REV | ㉔ RIGHT | ㉚ P.MEMU/ST |

Replacing the batteries

If the operational range of the remote control becomes short or no function while operating, replace the batteries with new ones. Make sure the battery polarity is correct.

1. Remove the cover of the batteries.
2. Replace the batteries with new ones and make sure polarity is correct.
3. Close the cover.



Warning!

Improperly handle the battery may result in hazardous explosion. It cannot be charged, disassembled or thrown into fire.

MENU LANGUAGE

Following options are available for the MENU LANGUAGE:

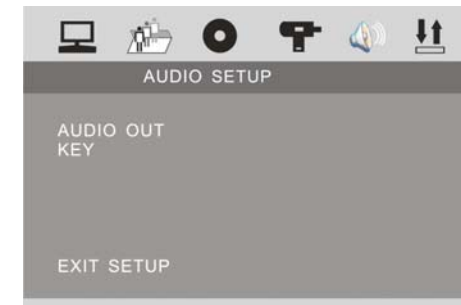
ENGLISH GERMAN SPANISH FRENCH PORTUGUESE
ITALIAN RUSSIAN DUTCH SWEDISH KOREAN
DANISH NORWEGIAN POLISH HUNGARIAN

DIVX LANGUAGE

Following options are available for the DIVX LANGUAGE:

CENTRAL EU
WESTERN EU
KOREAN

AUDIO SETUP



AUDIO OUT

Following options are available for the AUDIO OUT:
SPDIF / OFF SPDIF / RAW SPDIF / PCM

KEY

Following options are available for the KEY:
b -4 -2 0 +2 +4 #

TV TYPE

Following options are available for the TV Display:
4 : 3 PS 4 : 3 LB 16 : 9

PASSWORD

Setup the password for Parental Ratings change. The default password is 0000.

RATING

Following options are available for the Parental Ratings:
1 KID SAFE 2 G 3 PG 4 PG 13
5 PG - R 6 R 7 NC - 17 8 ADULT
The Parental Ratings could be changed after the correct password input.

DEFAULT

The unit will restore all default settings by selecting this option.

LANGUAGE SETUP



OSD LANGUAGE

Following options are available for the OSD LANGUAGE:
ENGLISH GERMAN SPANISH FRENCH PORTUGUESE
ITALIAN RUSSIAN DUTCH SWEDISH KOREAN
DANISH NORWEGIAN POLISH HUNGARIAN

AUDIO LANGUAGE

Following options are available for the AUDIO LANGUAGE:
ENGLISH GERMAN SPANISH FRENCH PORTUGUESE
ITALIAN RUSSIAN DUTCH SWEDISH KOREAN
DANISH NORWEGIAN POLISH HUNGARIAN

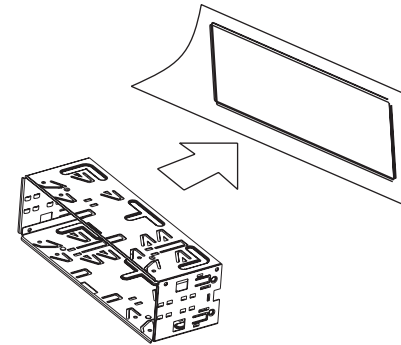
SUBTITLE LANGUAGE

Following options are available for the SUBTITLE LANGUAGE:
ENGLISH GERMAN SPANISH FRENCH PORTUGUESE
ITALIAN RUSSIAN DUTCH SWEDISH KOREAN
DANISH NORWEGIAN POLISH HUNGARIAN

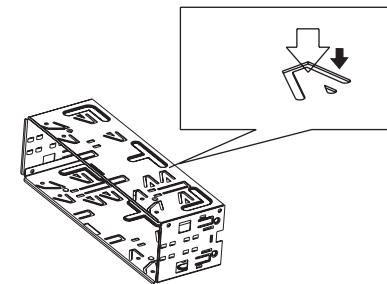
UNIT INSTALLATION

Installation Method 1: Din Front-Mount

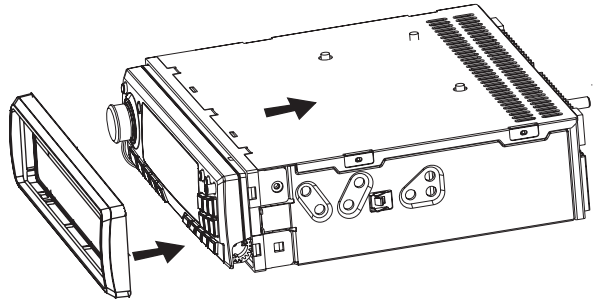
Install the Mounting Box into the dashboard.



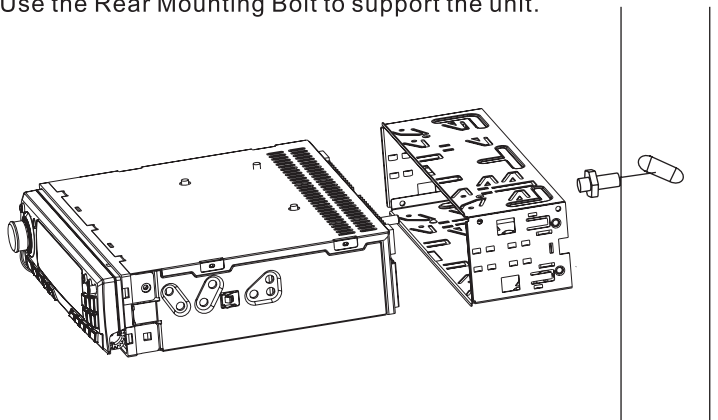
Bend these claws outward for tight fit, if necessary.



Install the Frame to the unit(Arced surface at the bottom).



Use the Rear Mounting Bolt to support the unit.



Fire wall

DVD SETUP MENU

SETUP MENU OPERATION

Press the [SETUP] button of remote control to enter the DVD SETUP Menu.

Press the [<] / [>] buttons to switch the main menus as following:

SYSTEM – LANGUAGE – AUDIO – VIDEO – SPEAKER – DIGITAL

Press the [^] / [v] buttons to enter the submenus from main menus.

Press the [^] button on the top submenu or press the [v] button on the bottom of submenu to exit the submenus to main menu.

Press the [^] / [v] buttons to select the submenus as your need.

Press the [>] or [ENTER] buttons to enter the items of submenus.

Press the [<] button to exit the items of submenus.

Press the [v] / [^] buttons to select the item you want to change.

Press the [ENTER] button to confirm the item you have selected and exit to the submenus.

Press the [SETUP] button of remote control or press the [ENTER] button on the submenu EXIT SETUP to exit the DVD SETUP Menu and save all settings.

NOTE

Effective only DVD, SD & USB Mode.

SYSTEM MENU



TV SYSTEM

Following options are available for the TV Display:

NTSC PAL 60 PAL AUTO

SCREEN SAVER

Select ON or OFF.

VIDEO

Following options are available for the TV Display:

INTERLACE-YUV TV-RGB P-SCAN YPBPR S-VIDEO

RADIO OPERATIONS

1. Band Selector

During radio mode, repeatedly press BAND button to select bands in the following order:

FM1 > FM2 > FM3 > AM1 > AM2 > FM1

2. ST/MONO Selector

During radio mode, you can press ST/LOC button to select MONO mode or STEREO mode, when LCD shows "ST", it means that stereo station can be received. When no ST shows, it means the present mode is MONO mode.

3. AST

During radio mode, press AST button to scan each stored station 5 seconds respectively which stored in 1-6 NUMBER BUTTONS. Press the corresponding numbers or AST button when your desired station is charged. And it starts playing that station. When press and hold AST button for more than 3 seconds, it will activate automatically memory storing function. The radio automatically selects a station and has it stored in the NUMBER BUTTONS.

4. Up/Down

Press UP/DOWN continuously to select a station downward or upward respectively. Press UP/DOWN on the remote control performs the same operation.

5. Number Buttons

Number buttons can store your favorite station. You can follow the steps as below: When receiving a station through UP/DOWN. Press and hold any one of the Number Button until "CH" appears in the LCD, which indicates that station is already stored in the corresponding number button. And the number buttons can store up to 18 FM stations (6 each for FM1, FM2, FM3), up to 12AM (6 each for AM1, AM2). Then you can press number buttons 1-6 and the set will play your stored station. The Number Buttons 1-6 on remote control performs the same operations.

6. LOC

Hold on pressing ST/LOC button to activate Loc function. LOC is available in Radio Mode as Local Distance playing source.

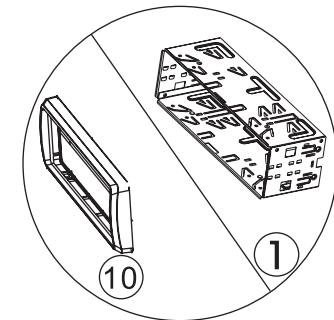
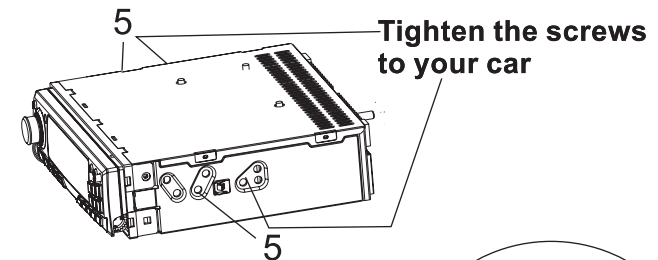
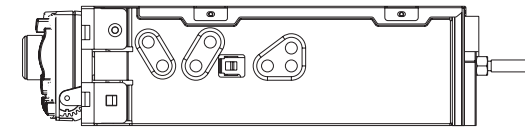
Installation Method 2:

Install the screw holes at the sides of the unit.

1. Remove the hooks on both sides.
2. Select a position where the screw holes of the mounting bracket supply with the car and the screw holes of the main unit become aligned (are fitted), tighten the screws (see ⑤ at 2 places) on each side, and fasten them to car.

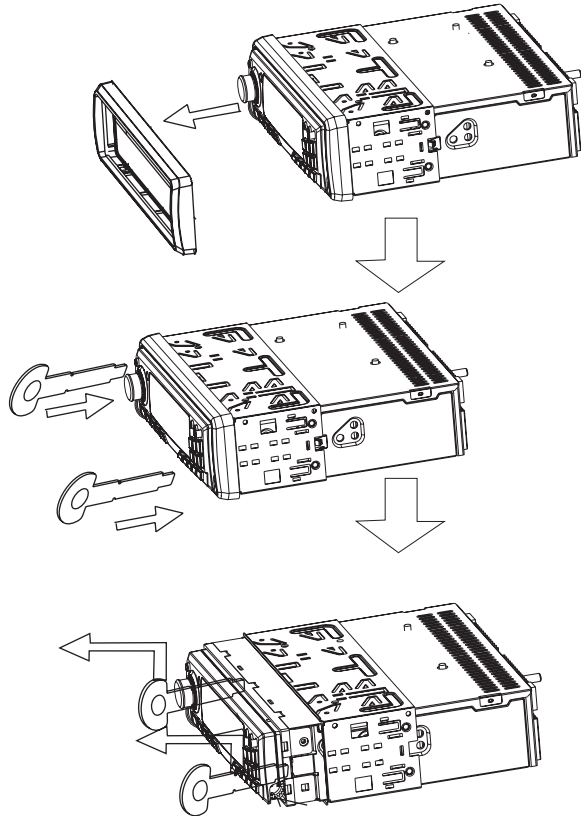
■ **NOTE:**

① ⑩ are not used for installation method 2.



UNIT REMOVAL

1. Detach the front panel.
2. Insert the key that supply to the unit at both sides of the unit (shown as illustrated) until pull the key out to make it possible to remove the unit from the dashboard.



DVD/VCD/CD/MP3 OPERATIONS

1. Playing disc

While playing discs, just insert a disc into the Disc Loading Slot, the unit will automatically switch on. If a disc is loaded, the unit starts playing.

2. Eject

After the panel is flip-down, press this button to eject a disc.

3. Play/Pause

Press the button to play a disc or to make the disc pause.

Press PLAY/PAUSE on the remote control performs the same operation.

4. Stop

During playing, press the button one time, the DVD player memorizes the location where you stopped (press PLAY button to resume playing from the memorized point); Press the button again to stop playing (press PLAY button to start playing from the beginning of the disc).

5. F.FWD/F.REV

Press the button to select fast/ reverse forward and speed. Press F.FWD/ F.REV on the remote control performs the same operation. Press PLAY/PAUSE button to resume to normal play.

6. Display

Press Display button to show current playback information on the screen.

7. Zoom

Press Zoom button during normal playback to zoom a picture. Press it repeatedly to change the magnification levels.

8. Repeat

When play DVD disc, press this button once to repeat the chapter, press it twice to repeat the title; When play VCD (PBC off), CD, MP3, press this button once to repeat the track, press it twice to repeat all tracks.

9. Setup

Press this button to enter setup menu.

10. Angle

Press Angle button to select different filming angles stored on the DVD media during playback.

11. PBC

PBC is available in VCD mode as playback control switch.

12. Menu

Menu is available in DVD mode as playback control switch.

DISC NOTES

■ Disc formats supported by this player



Handling and Cleaning

- Dirty, dusty, scratched or warped discs may not play properly.
- Do not place stickers or make scratches on discs
- Do not warp discs.
- Store discs in their cases when not in use.
- Do not place discs in the following places:
 1. Direct sunlight.
 2. Dirty, dusty and damp areas.
 3. High temperature places.
 4. On the seats or dashboard.

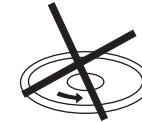
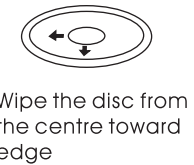
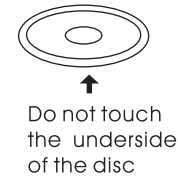
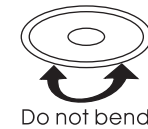
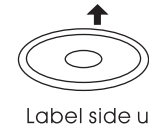
Disc Cleaning

Use a dry soft cloth to wipe the surface. If the disc is quite dirty, use a soft cloth slightly moist with isopropyl (rubbing) alcohol. Never use solvent such as benzene, thinner or conventional record cleaners which may mar the surface of the disc.

Note:

A disc may become somewhat scratched (although not enough to make it unusable) depending on your handling it in the condition of the usage environment. These scratches are not an indication of any problem with the player.

DISC OPERATION



Repairing New Discs with Rough Spots

A new disc may have rough edges on its inside and outside edges. If a disc with rough edges is used, the proper setting will not be performed and the player will not play the disc. Therefore, remove the rough edges in advance by using a ballpoint pen or pencil. To remove the rough edges, press the side of the pen or pencil against the inside and outside edges of the disc.

BASIC OPERATIONS

1. Tuning the unit on/off

Press POWER button to turn on the unit. Press it again, the unit is in the waiting status. When insert a disc, the unit will automatically start playing. Hold on Pressing POWER button to turn off the unit.

2. Reset

After the panel is taken off, press Reset button to reset the set system. The set will automatically power off and erase memorized functions.

3. Source

Function switching keys. Function's initial mode without disc is RADIO state; with disc is in DVD mode. The condition is to be change as following:

RADIO > DVD > AV IN > RADIO

4. Mute Function

Press MUTE button to cut down the sound output and LCD shows "MUTE". Press it again or rotate VOL+/VOL- to resume to previous volume level. Press MUTE button on the remote control performs the same operation.

5. Volume Control

Rotate (VOL) knob clockwise to increase the sound level and anti clock-wise to decrease the sound level. When operated by the remote control, press (VOL+/VOL-) to adjust the volume level.

6. Turning Loudness On/Off

Hold on press LOUD button to activate loud function and LCD shows "LOUD". Press this button to increase the low frequency, which can improve sensitivity for your ears. Press it again to shut down loud function.

7. EQ

Press EQ button to adjust the sound quality while listening to the popular music, classic music or rock music. The LCD shows the current mode being set when pressing EQ button. And you can choose the following modes in turn:

POP > CLASSIC > ROCK > OFF

8. Random

Press RDM button to play any track of random. Press it again to return to normal playing from first track. When play DVD disc, this button has no function.

WIRE CONNECTION

