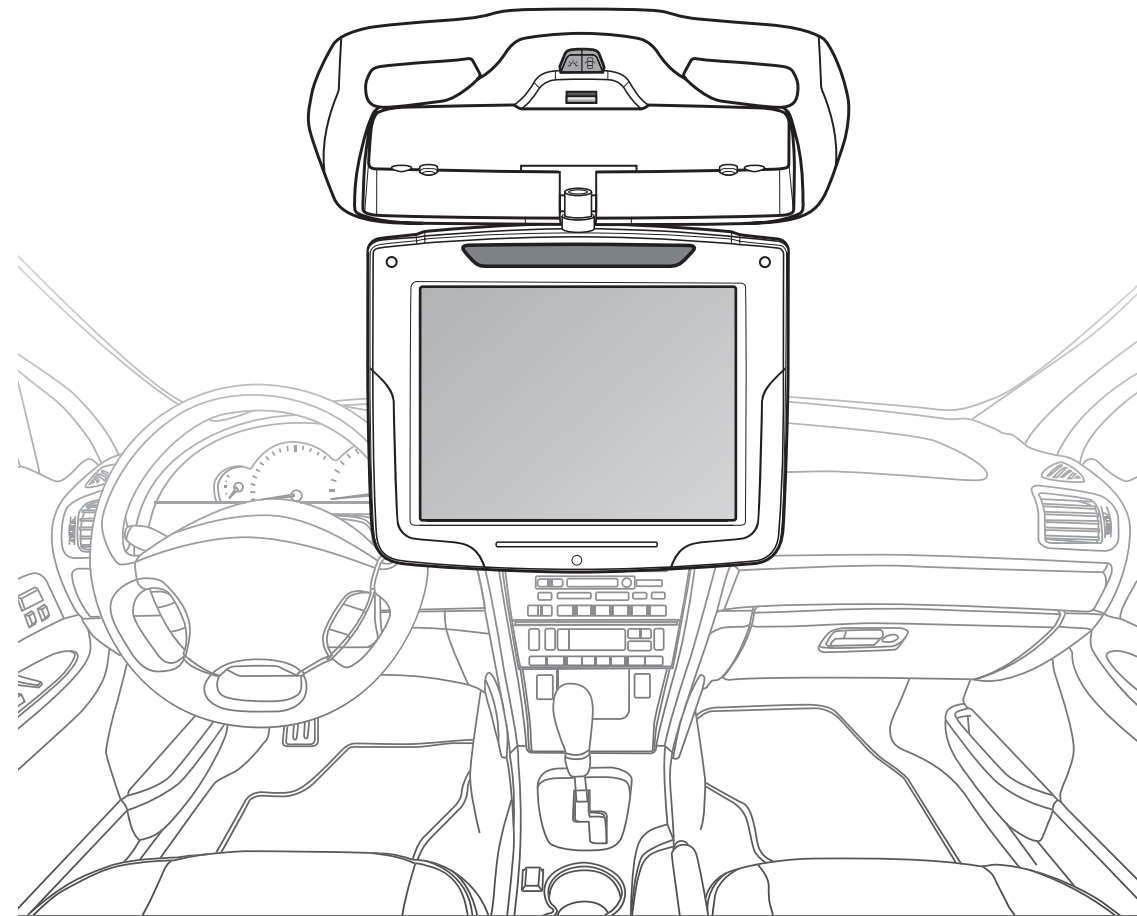


## 10.4" TFT-LCD COLOR SCREEN CEILING MONITOR



46M10POAC17-DY-0928

**CAUTION**

Changes or modifications not expressly approved by the party responsible for compliance could void the user's authority to operate the equipment.

# CONTENTS

<b>CAUTION</b> .....	4
<b>NAME AND FUNCTION OF EACH PARTS</b> .....	6
UNIT .....	6
Remote Controller .....	7
<b>HOW TO OPERATE THE MONITOR</b> .....	8
Releasing The Monitor .....	8
How To Watch Monitor .....	8
<b>PICTURE CONTROL</b> .....	9
Auto Picture Control .....	9
Manual Picture Control .....	9
<b>INSTALLATION</b> .....	10
<b>CONNECTION DIAGRAM</b> .....	11
<b>SPECIFICATIONS</b> .....	12

A grade screens constitute no more than 3 missing pixels.

# CAUTION

Please read and observe all warnings and instructions in this owner's manual and those marked on the unit. Retain this booklet for future reference.

There are two kinds of alarm symbols as follows:



The lightning flash with arrowhead symbol within an equilateral triangle is intended to alert the user to the presence of "dangerous voltage" within the product's enclosure that may be of sufficient magnitude to constitute a risk of electric shock to people.



The exclamation point within an equilateral triangle is intended to alert the user to the presence of important operating and maintenance (servicing) instructions in the literature accompanying the product.

## WARNING



Installation of all TV monitors must be out of the driver's field of sight.



Do not mount the product where it will obstruct the deployment of the airbag or in an area where it would affect the vehicular control. Also be careful to avoid mounting the product where it can become hazardous during sudden stops or in the event of an accident.



Do not try and service these products yourself, seek only a qualified service center or factory service center.



Be careful not to drop or apply under pressure to the front panel of your video monitor. If the screen cracks due to misuse, your warranty will be void!



Be careful not to overload your cigarette lighter plug by adding more than one device at a time.



Use only a damp cloth to clean the screen and use only purified water on the cloth, wring out all excess water prior to wiping the screen. Do not use any cleaners or chemicals to clean the screen. In most cases a dry cloth will do!

# CAUTION

## CAUTION



Quality installations are best performed by qualified and certified installers.



Watching the monitor for an extended period of time without the engine running may deplete the vehicle's battery charge.



Don't touch the unit there is a flash of lightning. It may receive an electric shock.



This product is designed for operation with a 12 Volt DC, negative ground vehicle. It is not suitable for operation under other conditions or voltages.



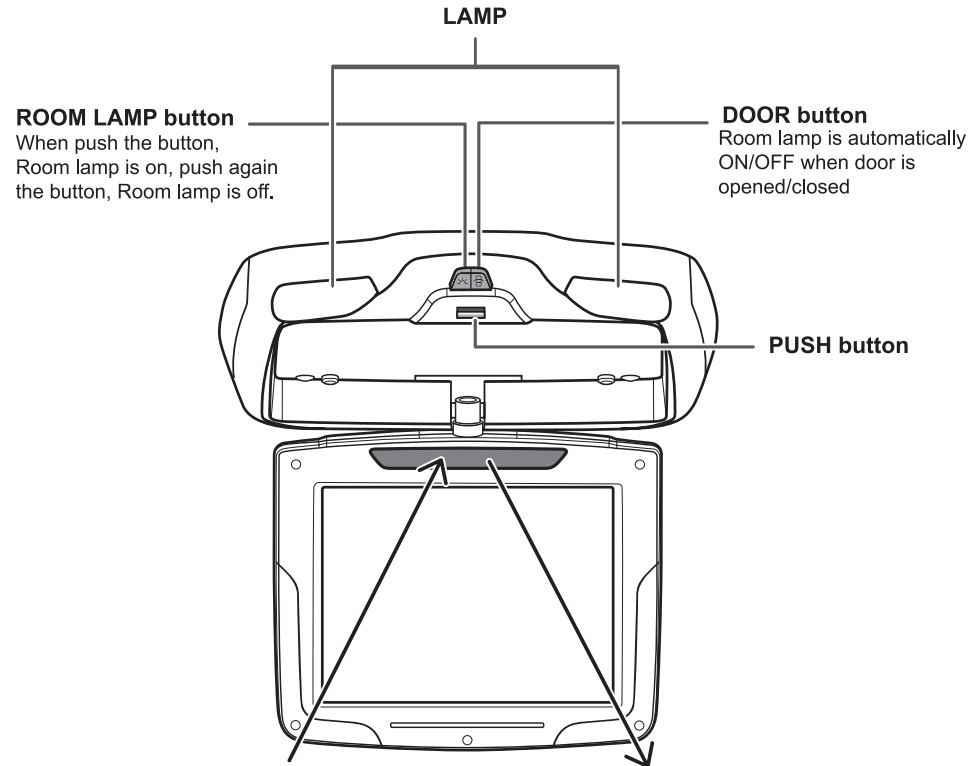
Do not cover or stop up heater ducts or vents. It may be the origin of a fire or receives an electric shock.

## Check Point

1. The operating temperature of this product is limited to 14°F ~ +131°F. Your vehicle can reach temperatures up to 212°F in the summertime.
2. From time to time when your vehicle is extremely hot or cold you must allow time for your air conditioner or heater to cool or heat the vehicle and for operating temperatures to return to normal operating ranges. Your monitor will return to its normal functions when these operating ranges are achieved.
3. Your optimum picture quality is achieved when you are directly in front of the monitor (+/-30 degrees).

# NAME AND FUNCTION OF EACH PARTS

## UNIT



### Remote Control Eye.

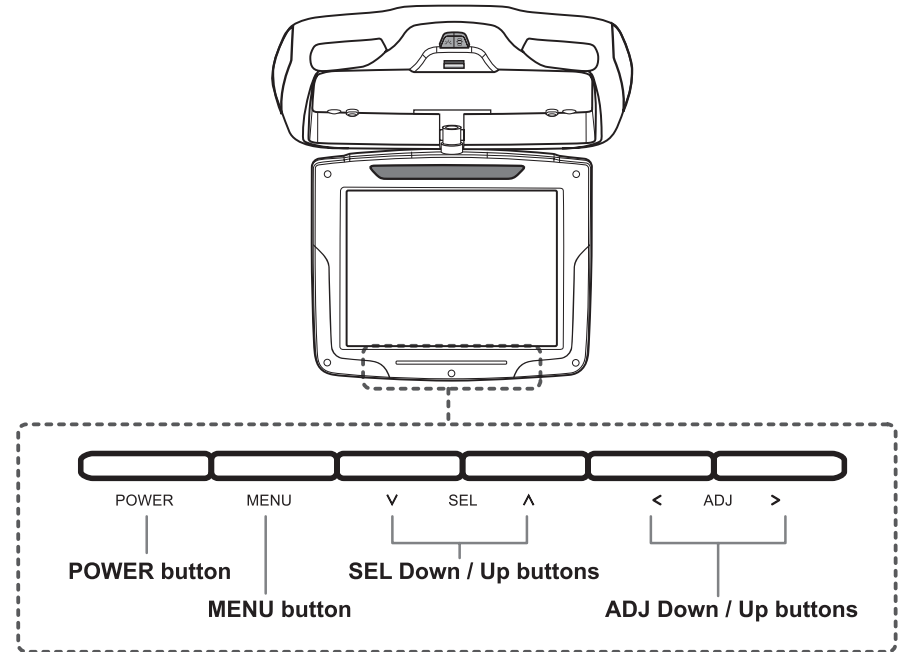
This allows transmitting of the remote control's IR signals for controlling all functions of your monitor.



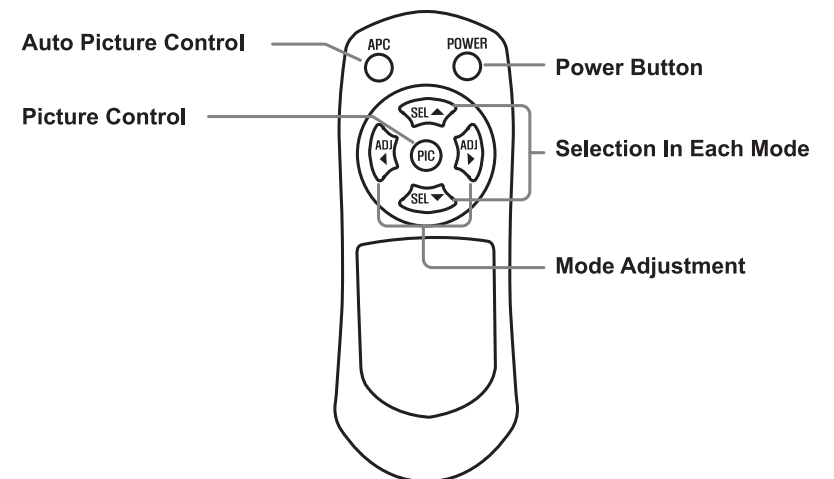
### Wireless Infrared Receiver

You can hear the sound of audio sound by using wireless infrared headphone. (Wireless IR headphone is optional accessory)

# NAME AND FUNCTION OF EACH PARTS



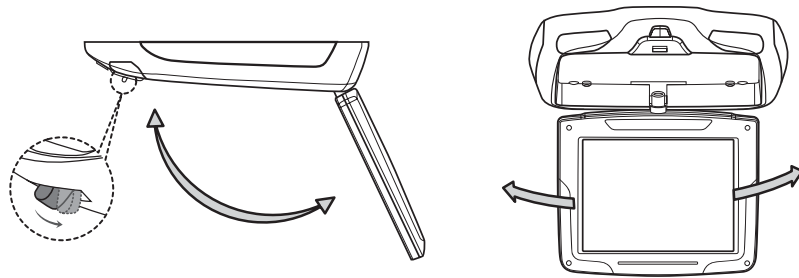
## Remote Controller



# HOW TO OPERATE THE MONITOR

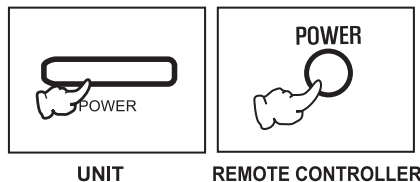
## Releasing The Monitor

Push the open button (located on the front of your screen) and lower the monitor to the desired level. You can also adjust the swivel angle.



## How To Watch Monitor

1. Connect the monitor to external devices.
2. Press the **POWER** button on either the remote control or the unit once to turn the power on.  
Press the same **POWER** button to turn the power off.



3. Power on the external devices and play.

# PICTURE CONTROL

## Auto Picture Control



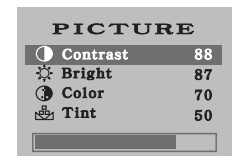
Press this button to change picture mode.  
When you press this **APC** button, Picture mode will be changed as follows;



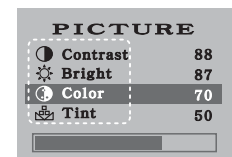
## Manual Picture Control (Contrast, Bright, Color or Tint selections:)

Use to achieve the desired settings.

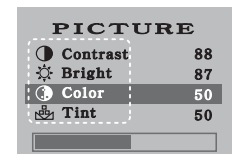
1. Bring up the on-screen picture control menu by pushing the **PIC** button on the remote control or the **MENU** button on the unit.



2. Select **Contrast / Bright / Color / Tint** you want to control by pushing the **SELV/▲** button on the remote control or unit.

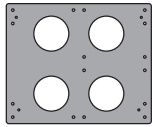


3. Adjust the picture conditions with the **ADJ </>** buttons on the remote control or on the unit to achieve the desired settings.

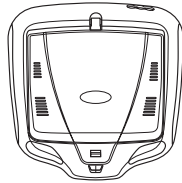


# INSTALLATION

1. Unpack the color box and check the contents.



INSTALLATION PLATE

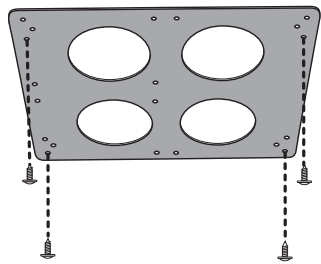


UNIT

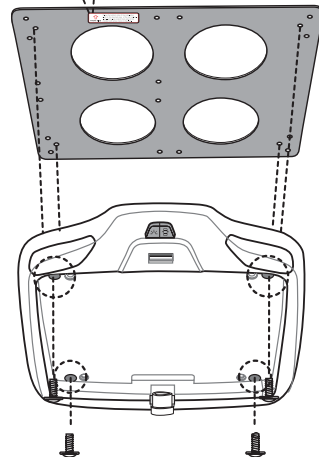
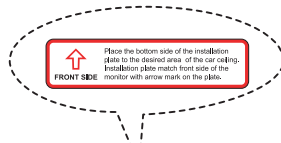


SCREW A SCREW B

SCREW



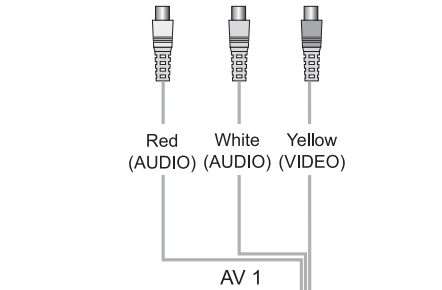
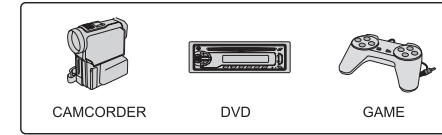
2. Match the position of installation bracket and installation plate with 4 screws(screw A).



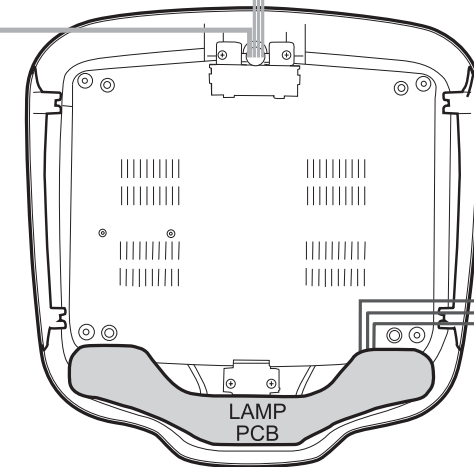
3. Tighten the unit with the supplied 4 screws(screw B).

※ Please check caution label side and match the other side of caution label with car ceiling and front side of products.

# CONNECTION DIAGRAM



RED (DC 12V)  
BLACK (GND)



RED (+12V)  
BLACK (GND)  
BLUE (DOOR)

# SPECIFICATIONS

Power	DC 12V
Screen Format	4 : 3
Resolution	2400 x 600 dots
Brightness	350 cd/m <sup>2</sup>
Color System	NTSC / PAL Auto Selection
A/V Input	1 EA
Screen Size	10.4 Inch
IR Transmitter	Yes
Remote Control	Yes
Dimension	13.18"(W) X 13.18"(D) X 2.16"(H)

**Note** : This equipment has been tested and found to comply with the limits for a Class A digital device, pursuant to part 15 of the FCC Rules. These limits are designed to provide reasonable protection against harmful interference when the equipment is operated in a commercial environment. This equipment generates, uses, and can radiate radio frequency energy and, if not installed and used in accordance with the instruction manual, may cause harmful interference to radio communications. Operation of this equipment in a residential area is likely to cause harmful interference in which case the user will be required to correct the interference at his own expense.

# MEMO

# MEMO

