

SPECIFICATIONS

Model: SC-2A

2 Farad Hybrid Super Capacitor

With Digital DC Voltage and Amperage Blue Meter, Blue Flash LED

Capacitance 2,000,000 micro farad

Working Voltage 16DC

E. S. R. (Equivalent Series Resistance) less than 0.015 ohm, 25°C

Model: SC-5CA

5 Farad Hybrid Super Capacitor

With Digital DC Voltage and Amperage Blue Meter, Blue Flash LED

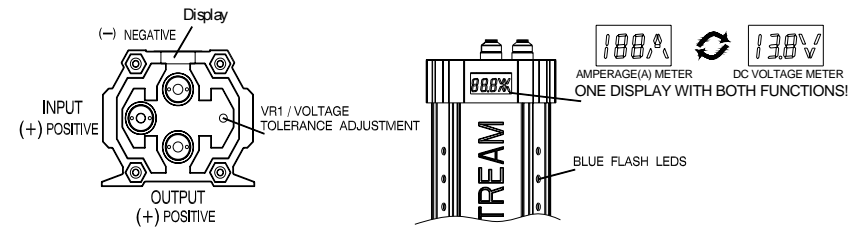
Capacitance 5,000,000 micro farad

Working Voltage 16DC

E. S. R. (Equivalent Series Resistance) less than 0.015 ohm, 25°C

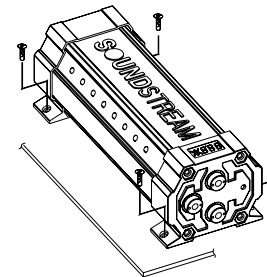
DETAILED FEATURES:

- A) Multiple high farad capacitance super capacitors link with lowest E.S.R electronic capacitor to provide the lowest inner resistance and largest moment speed discharge power. It support car audio system get the best performance.
- B) The blue displays are Amperage (Amp) and DC Voltage meter features that measurement value can arrive 1 AMP (A) and 0.1 DCV range. You can choose the correct gauge power wire for your car audio system after refer the amperage value of the meter.
- C) Blue LED line appear the flash status when car's power system current variation over 2~3 Amp. the amplifier support the bass woofer to work. Then the LED line will follow the music to flash.
- D) Over voltage limit and low battery voltage limit warning. When the system voltage peeks over 17.5~18 DCV (over voltage limit status) or LESS than 10 DCV (low-battery status). The buzzer on the PCB will issue an audible noise warning.
- E) Reverse pole connecting PCB buzz warning function. If the capacitor is connected incorrectly by reversing the positive and negative wires during the installation process the PCB will issue a 45 second noise to warn you.



INSTALLATION AND MOUNTING:

You must first attach the mounting tabs to the capacitor before mounting it. Use the supplied hardware shown in the picture to the right. Notice the small mounting screw hole in the capacitor chassis.

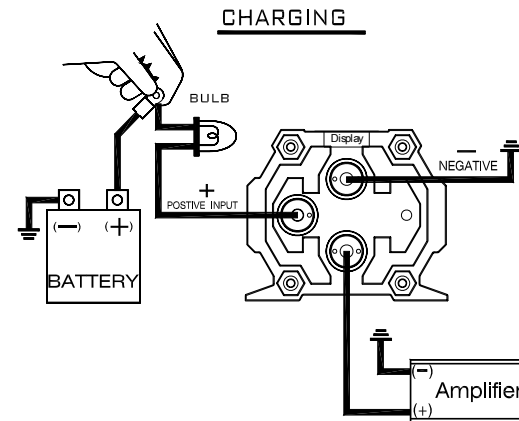


CHARGING THE CAPACITOR AND WIRING:

The capacitor must be charged (the charging bulb is attached in the packing box) before connecting the Power and Ground cables to the capacitor. If you don't use the attached bulb or resistor to charge the capacitor will result in a large spark generated from the rapid inflow of current.

To Charge the capacitor as follow:

1. Make Capacitor positive terminal connections with amplifier and tighten the bolt. Do not over-tighten the bolts!
2. Connect the ground cable with battery, amplifier, then refer to the attached drawing

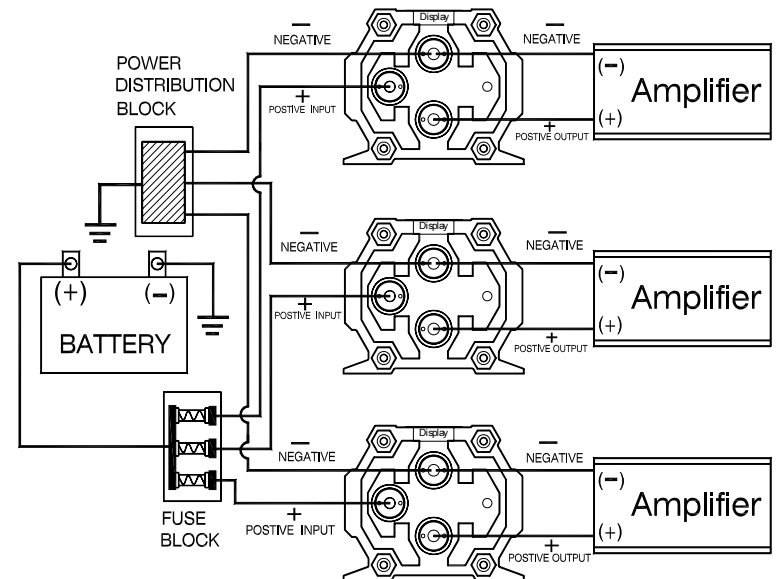


3. Place the supplied charging bulb between positive terminal of the capacitor and the battery's positive terminal. Do this for 2 ~ 3 minutes until the charging bulb goes out.

Caution: The charging bulb will get hot!

4. Immediately take out the charging bulb from the connecting wire after the charging process. And install the capacitor as follow drawing.

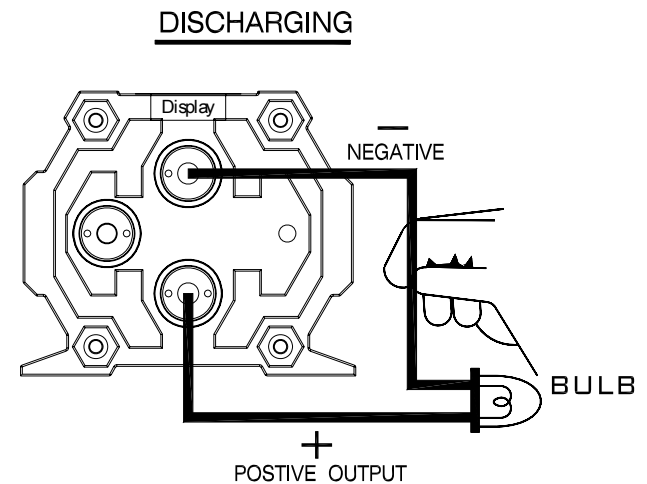
Multiple Capacitor Wiring Diagram:



5. the amp/DCV display appear blue light DCV and Amp readout value.

DISCHARGING THE CAPACITOR:

When you want to take out the capacitor after you finish the installation process from original car audio system. You must do discharge process when you want to move the capacitor. It will be safe to release the power of the capacitor.



To Discharge the capacitor: With battery power disconnected, place the light bulb or resistor across the capacitor's positive and negative terminals until light goes out or for three minutes if using a resistor.

WARNING!!

THIS POWER CAPACITOR MAY EXPLODE AND CAUSE SERIOUS INJURY IF ABUSED OR CONNECTED IMPROPERLY. PLEASE REFER TO THE INSTRUCTIONS CONTAINED IN THIS MANUAL FOR CORRECT MOUNTING, CHARGING/DISCHARGING AND WIRING CONNECTION FOR THIS CAPACITOR PRIOR TO INSTALLATION.

LIMITED WARRANTY

One Year Warranty from the date of purchase