

Soundstream Rubicon II Woofers

Congratulations on your purchase of one of the finest woofers available for your vehicle today.

Sound quality is and always has been one of the top engineering goals at Soundstream. The Rubicon sub-woofers exemplify this goal using lightweight, low resonant, woven carbon fiber cones for a quick and accurate response along with a progressive slant, BUTYL rubber surround for tighter and smoother bass extension.

Please take a few moments to fill out the warranty card and review this manual before installing this woofer for proper connections and box sizes.

Design Features

- Cast aluminum basket
- Black wrinkle finish w/ Diamond cut edge
- Low resonant woven carbon fiber cone
- Zinc coated CNC Back plate
- Vented & extended pole piece
- High efficiency, Progressive slant BUTYL rubber surround
- 1-piece rubber gasket
- Progressive roll spider
- Gold binding posts
- Dual 4 layer 4ohm voice coil
- BAEISV hybrid voice coil former:
- Rubber magnet cover

Model	Description	Freq. Response	Magnet Size	Voice Coil	SPL	X-max	Power RMS
R-10SQ	10" Sound Q	28Hz - 2.5kHz	100 oz.	2.5"	86 dB	14mm	400 watts
R-12SQ	12" Sound Q	25Hz - 2kHz	120 oz.	2.5"	86 dB	14mm	500 watts

Building the Enclosure

- Determine the dimensions of your enclosure.
- Be certain the box dimensions that you have designed will fit in the location you have chosen in your vehicle. Sometimes making a cardboard box with the same outside dimensions is helpful.
- It is recommended to use $\frac{3}{4}$ or 1 inch thick MDF (medium density fiberboard) for your box.
- Use a “T” square to verify precise right angle cuts before you assemble the box.
- Use high quality wood glue and screws to assemble the box to guarantee an airtight box that will not come apart due to excess vibration and pressure.
- It is recommended for sealed enclosures to stuff the interior of the box about 50 – 75% fiberglass insulation or Dacron fiberfill for increased sound damping and woofer performance.
- For ported enclosures, it is recommended to staple 1” thick fiberglass insulation to the interior walls of your box.
- Use slide on connectors for spade style connectors or bare wire for push and screw terminals. Do not solder the wires to the factory connectors as this may cause damage to the voice coil or tinsel lead and may void your warranty.

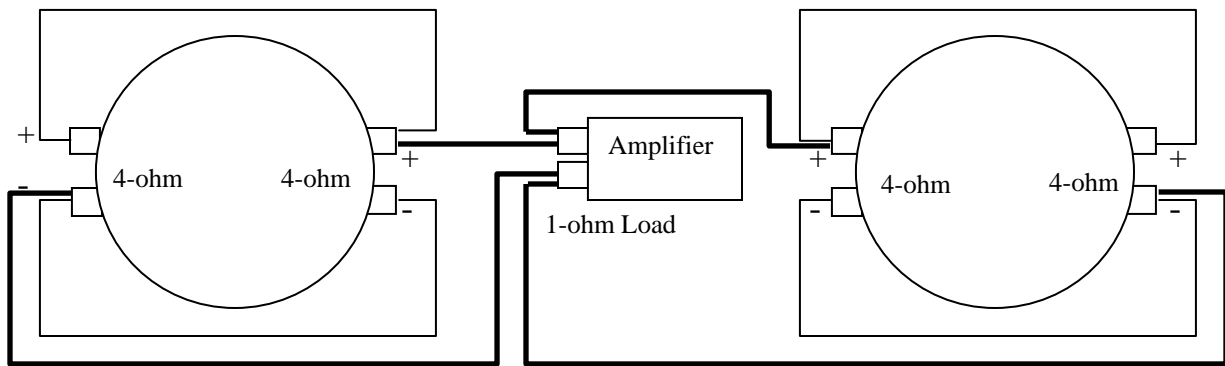
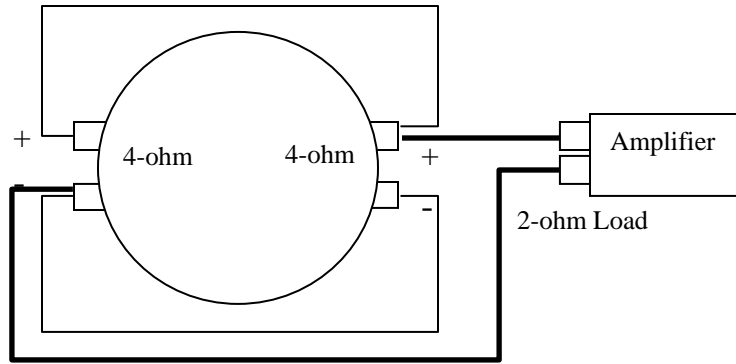
Recommended box sizes

Model	Sealed Box Size	Ported Box Size	Tune Freq.	# of Ports	Port (dia x length)
R-10SQ	.75 cubic feet	1.5 cubic feet	30 Hz	1	3" x 11.75"
R-12SQ	1.0 cubic feet	2.0 cubic feet	29 Hz	1	4" x 16.5"

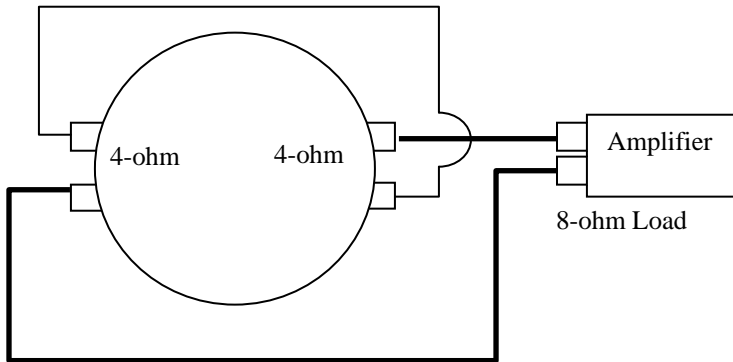
Recommended wiring

The following page will give you a few different options to match the impedance of the woofers to the impedance capability of the amplifier. Please look and follow the diagrams closely to insure maximum woofer performance.

Parallel voice coil configuration



Series voice coil configuration



Series/Parallel voice coil configuration

