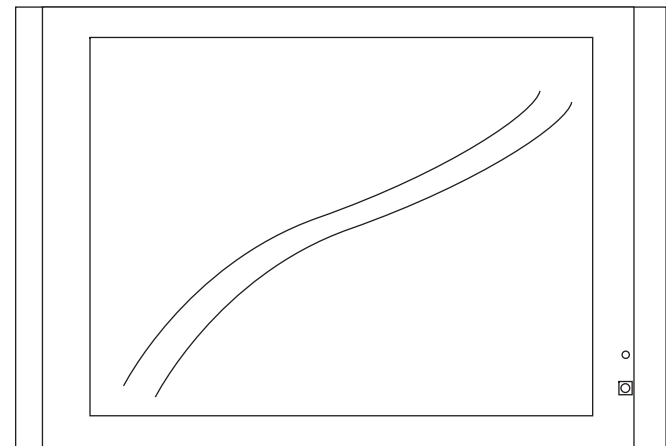


NE-S150N

15 Inch Headrest TFT-LCD Monitor



OPERATION MANUAL

Specifications

Power Requirements	DC 12~14.4V
Power Consumption	6W
Screen Size	15" TFT LCD
Screen Format	16:9
Resolution Pixel	2400*600
A/V Inputs	Video Input 2EA
Dimensions	(L)15.6×(W)10.5×(H)1.8inch
Compatible video standard	NTSC/PAL Auto Select

*Although the effective pixels for the liquid crystal panel is given as 99.98% or more, 0.02% of pixels may not light or may light incorrectly.

- * Please make these simple checks before calling for assistance.
- * If the TV is to be used in conjunction with any other equipment, read the other product's instruction manual.
- * If you choose not follow the below checklist or any problems you are experiencing with this product are not solved, never attempt to repair a defective monitor yourself. Check with your dealer .

No picture & no sound

- * Power cord inserted into power source incorrectly.
- * Another product's cord inserted into TV incorrectly.
- * Check the signal in AV mode.

No picture

- * Check the signal in AV mode.
- * Adjust the contrast and brightness settings.

Monitor not responding to remote control

- * Check whether the batteries have sufficient power. Replace if necessary.
- * Check whether the batteries are correctly installed in the remote control.
- * Check the remote control sensor lens on the monitor and the distance and angle on the remote control(2m,30°).

Thank you for your purchase.

Please read this user's Manual in detail and use the set properly.

Caution·····	3
Installation·····	4
Operation Function·····	5
Remote Function·····	6
Picture Control·····	7
Connections·····	8
Troubleshooting check list·····	9
Specifications·····	10

Caution

Read this page in detail in order to protect your safety as well as others.

- The driver should never operate the monitor while driving. This can cause an accident.
- Do not disassemble the device.
- Use proper volume while driving.
- Get advice from a qualified engineer to set up the monitor.
- Do not watch monitor for long periods of time while the stopped engine.
- Protect the LCD Panel from falling or being impacted.
- Do not recharge, disassemble and protect from the heat the remote control battery.
- Keep remote control battery away from children.
- Use only soft cloth with non-ammonia glass cleaner to clean the panel.

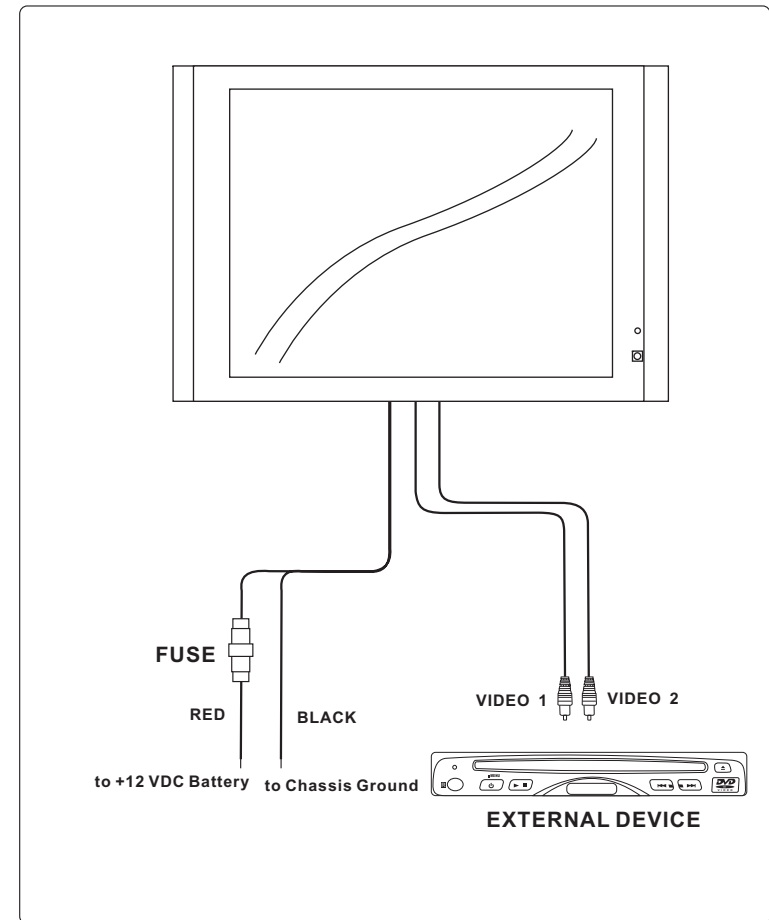
Check Point

- 1 The range of preservation temperature for the device is from -20°C to 70°C
Be cautious aware that the inside temperature of car may arise up to 100°C in summer time.
- 2 The monitor picture may not be displayed normally when it is higher or lower than recommended temperature.
In this case, the screen will be back normal condition after few minutes.
The range of recommended temperature for the device is from 0°C to 40°C .
- 3 You can have the best picture when you are in front of the monitor.



(Visual Angle)

Connections



Contrast/Brightness/Color

To adjust CONTRAST, BRIGHTNESS, COLOR press the MENU button until you arrive at the screen for that item. Use the ◀ and ▶ buttons to adjust the value. Press the ▲ and ▼ buttons to make another adjustment. Press the MENU to leave the MENU system.

1. Bring up the on-screen function menu by pressing the MENU button on the remote control.
2. Press the ▲ and ▼ buttons on the remote control of monitor until you see the item you wish to adjust.
3. Use the ◀ and ▶ buttons to adjust the value.
4. Press the MENU button to leave the MENU system.

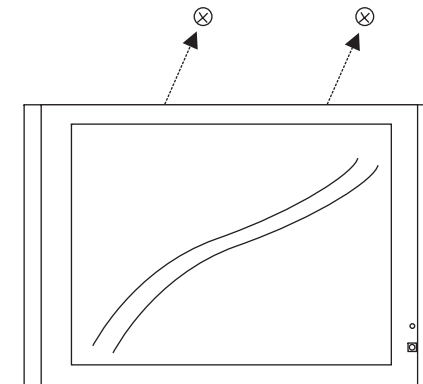
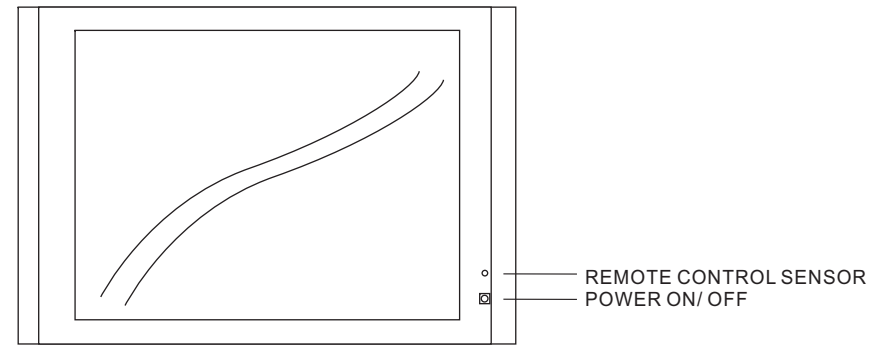
CONTRAST



BRIGHTNESS

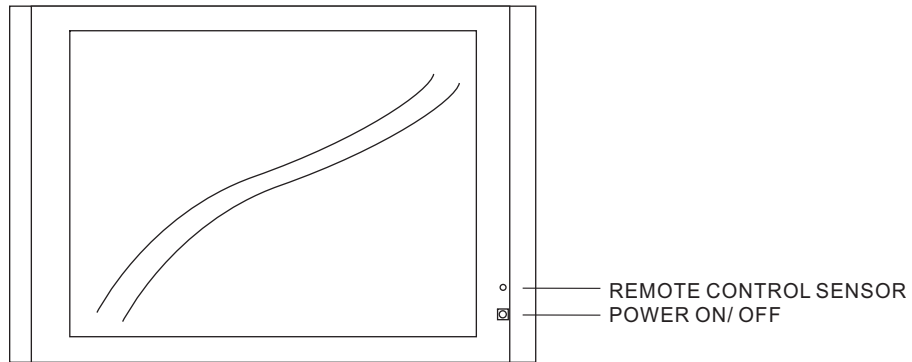


COLOR

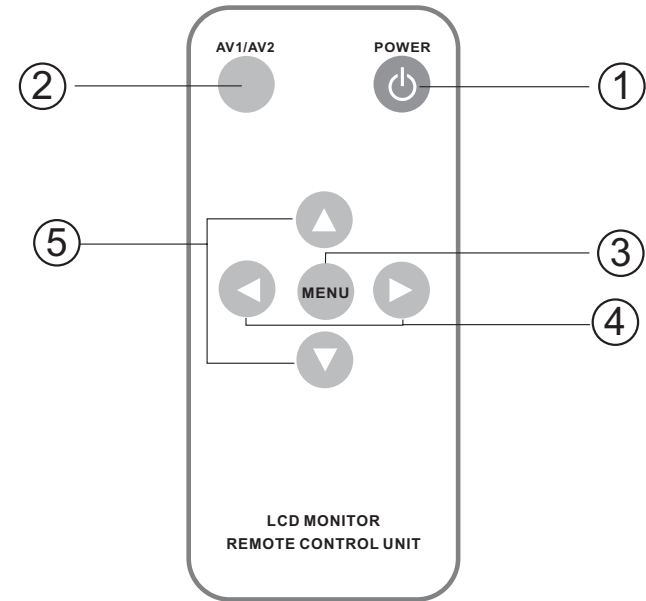


Please mount the monitor where it make you have the best picture.

Operation Function



Remote Function



- ① Power: Power ON/OFF.
- ② AV: AV1/AV2 Signal Select.
- ③ Menu: Press this button for OSD menu.
- ④ : Use the ◀ and ▶ buttons to increase current option value or decrease current option value.
- ⑤ : Use the ▲ and ▼ buttons to select menu option.