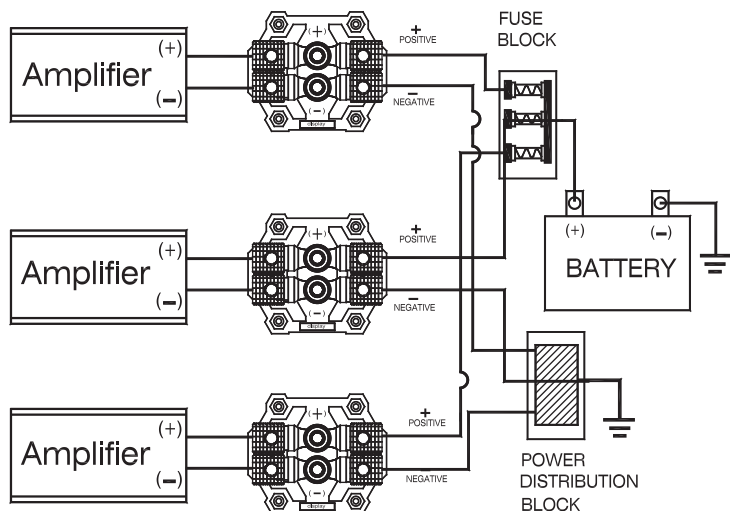


To Discharge the capacitor: With battery power disconnected, place the light bulb or resistor across the capacitor's positive and negative terminals until light goes out or for three minutes if using a resistor.

Multiple Capacitor Wiring Diagram:



WARNING!!

THIS POWER CAPACITOR MAY EXPLODE AND CAUSE SERIOUS INJURY IF ABUSED OR CONNECTED IMPROPERLY. PLEASE REFER TO THE INSTRUCTIONS CONTAINED IN THIS MANUAL FOR CORRECT OUNTING, CHARGING/DISCHARGING AND WIRING CONNECTION FOR THIS CAPAPCITOR PRIOR TO INSTALLATION.

LIMITED WARRANTY

One Year Warranty from the date of purchase.

SPECIFICATIONS

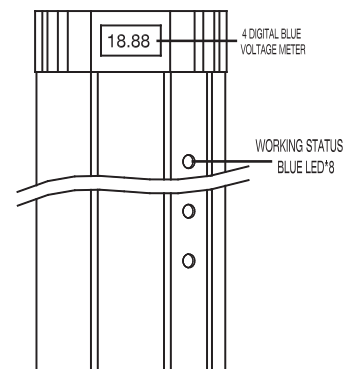
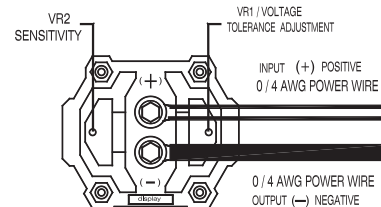
Model: **SC5C**

5 Farad Octagon Hybrid Super Capacitor With Blue Digital Voltage Display

Capacitance	5,000,000 micro farad
Working Voltage	16DC
Surge Voltage	18DC
E.S.R. (Equivalent Series Resistance).....	0.0015 ohm @120hz/ 25 °C
Capacitance Tolerance.....	± 10%

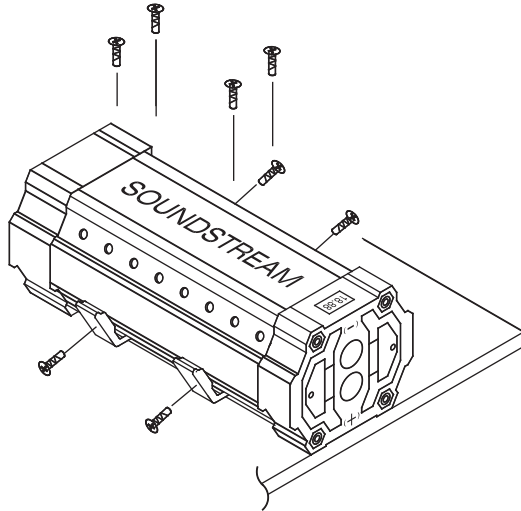
DETAILED FEATURES:

- 4 digits hi-end blue light display DC voltage meter that can measure 0.1 DCV range.
- Reverse pole connecting PCB buzz warning function. If the capacitor is connected incorrectly by reversing the positive and negative wires during the installation process the PCB will issue a 45 second noise to warn you.
- Hi-end platinum plated 100% brass solid parts and chrome plated metal cover
- Over voltage limit and low battery voltage limit warning. When the system voltage peeks over 17 DCV or LESS than 10 DCV. The buzzer on the PCB will issue an audible noise warning.
- Multiple small capacitance capacitors linked to provide the lowest inner E.S.R. and largest moment discharge power.



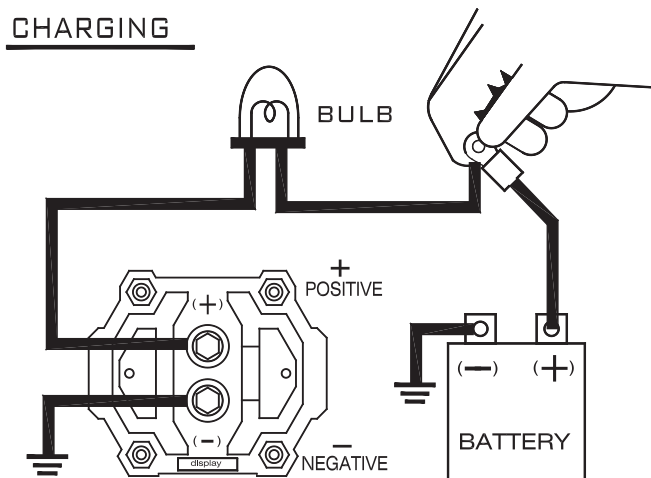
INSTALLATION AND MOUNTING:

You must first attach the mounting tabs to the capacitor before mounting it. Use the supplied hardware shown in the picture to the right. Notice the small mounting screw hole in the capacitor chassis.



CHARGING THE CAPACITOR AND WIRING:

The capacitor must be charged before connecting the Power and Ground cables to the capacitor. Failure to charge the capacitor will result in a large spark generated from the rapid inflow of current.



To Charge the capacitor:

1. Make Capacitor positive terminal connections with amplifier and tighten the bolt. Do not over-tighten the bolts!

Caution: Stripped terminals are not covered under the capacitor's warranty.

2. Connect the ground cable with battery, amplifier, then refer to the attached drawing.
3. Place the supplied charging bulb between positive terminal of the capacitor and the battery's positive terminal. Do this for 2 ~ 3 minutes or until the charging bulb goes out.

Caution: The charging bulb will get hot!

4. Immediately take out the charging bulb from the connecting wire after the charging process. And connect the positive cable of the battery directly to the positive terminal on the capacitor.

DISCHARGING THE CAPACITOR:

When you want to take out the capacitor after you finish the installation process from original car audio system. You must do discharge process when you want to move the capacitor. It will be safe to release the power of the capacitor.

